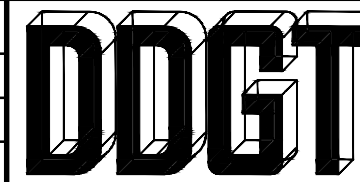


ROBOTIC ARM
SCALE 1:1

PARTS LIST			
ITEM	QTY.	PART NAME	MATERIAL
1	1	BASE E-01	ALUMINUM
2	1	ARM E-01	ALUMINUM
3	1	ARM E-02	ALUMINUM
4	1	SLIDING TUBE	STEEL
5	1	VACUUM CON.	STEEL
6	1	VACUUM CUP	RUBBER
7	1	BASE CAP	ALUMINUM
8	1	ELBOW CAP	ALUMINUM
9	1	VACUUM CAP	ALUMINUM
10	3	CAP SCREW-1 1/4	STEEL



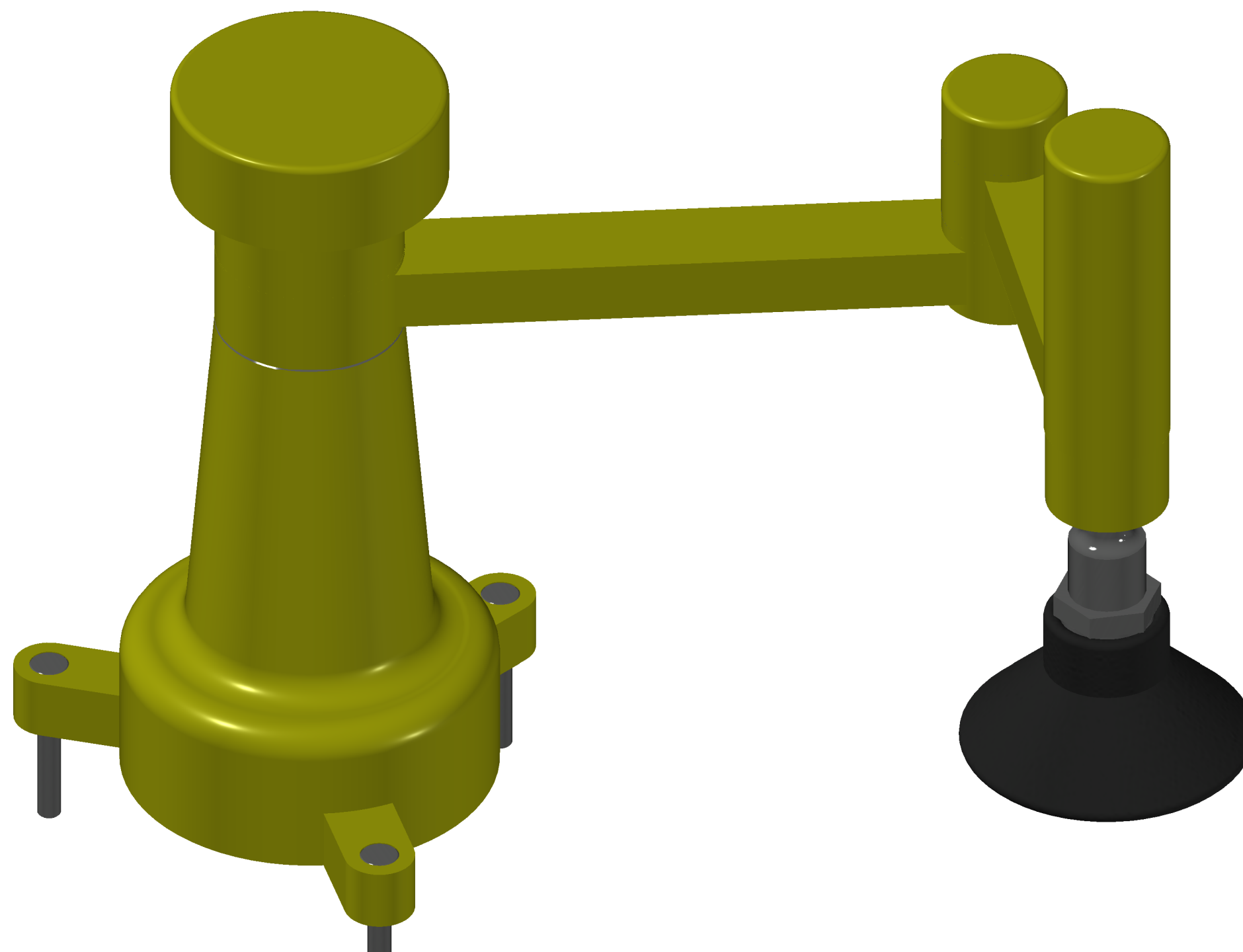
DIGITAL DESIGN
GRAPHICS
TECHNOLOGY

WWW.DDGT.NET

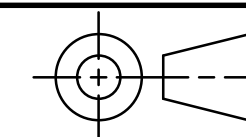
GENERAL NOTES:
GENERAL
NOTES GO
HERE

LEGEND:

- ∅ DIAMETER
- R RADIUS
- DEGREES
- | SPOTFACE/COUNTERBORE
- ∨ COUNTERSINK
- ∇ DEPTH
- CUBED



REVISIONS		
REVISION	DESCRIPTION	DATE
PAPER SIZE	CHANGED FROM ANSI B TO ANSI C	5/12/2026
ARM E-01	LENGTH CHANGED FROM 4.50 TO 5.50	5/12/2026
ARM E-02	LENGTH CHANGED FROM 3.50 TO 4.00	5/12/2026
SLIDING TUBE	LENGTH CHANGE FROM 4.19 TO 5.19	5/12/2026



TOLERANCES UNLESS SPECIFIED:
DECIMAL INCHES:
X = +0.20
XX = +0.10
XXX = +.005
FRACTIONAL = 1/64"
ANGLES: +1 DEGREE
SURFACES

CLASS: DDGT241

ASSIGNMENT # 10-83

AUTOCAD DRAWING NAME:
ROBOTIC ARM

FIG # X = XXX

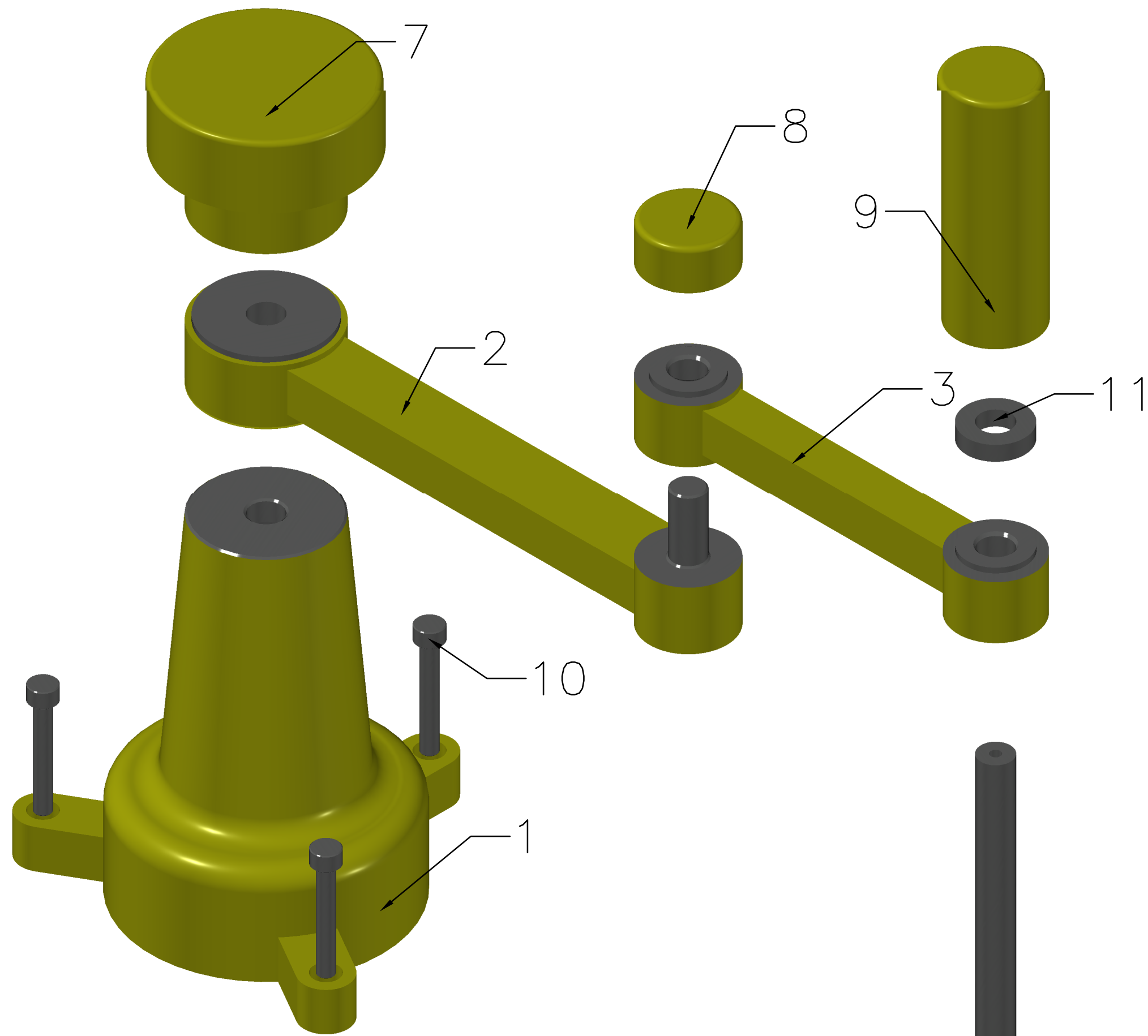
MANAGER: G. STROMMEN

DRAFTER: P. BUSCHER

DATE: 4/28/2026

SCALE: AS NOTED

PAGE # 1 OF 5



ROBOTIC ARM
SCALE 1:1
(EXPLODED)

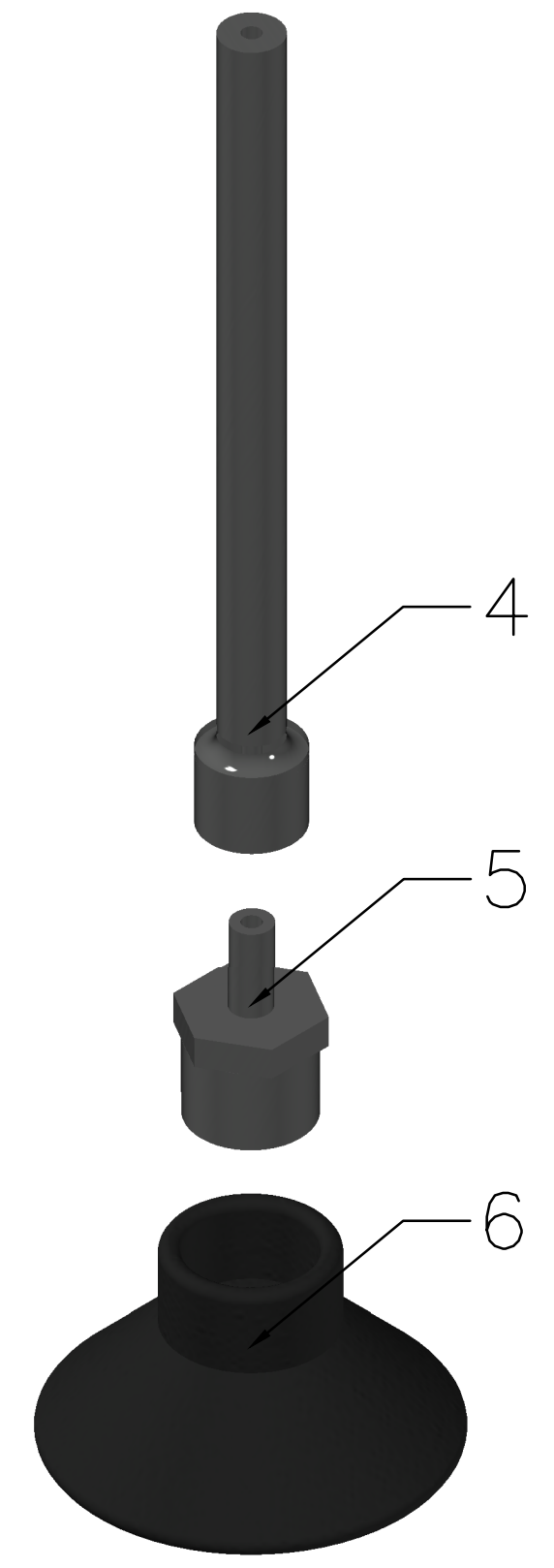
PARTS LIST			
ITEM	QTY.	PART NAME	MATERIAL
1	1	BASE E-01	ALUMINUM
2	1	ARM E-01	ALUMINUM
3	1	ARM E-02	ALUMINUM
4	1	SLIDING TUBE	STEEL
5	1	VACUUM CON.	STEEL
6	1	VACUUM CUP	RUBBER
7	1	BASE CAP	ALUMINUM
8	1	ELBOW CAP	ALUMINUM
9	1	VACUUM CAP	ALUMINUM
10	3	CAP SCREW-1 1/4	STEEL
11	1	WASHER	STEEL

LEGEND:
 ∅ DIAMETER
 R RADIUS
 ° DEGREES
 | SPOTFACE/COUNTERBORE
 √ COUNTERSINK
 ∇ DEPTH
 □ CUBED

DDGT
 DIGITAL DESIGN
 GRAPHICS
 TECHNOLOGY
 WWW.DDGT.NET

GENERAL NOTES:
 GENERAL NOTES GO HERE

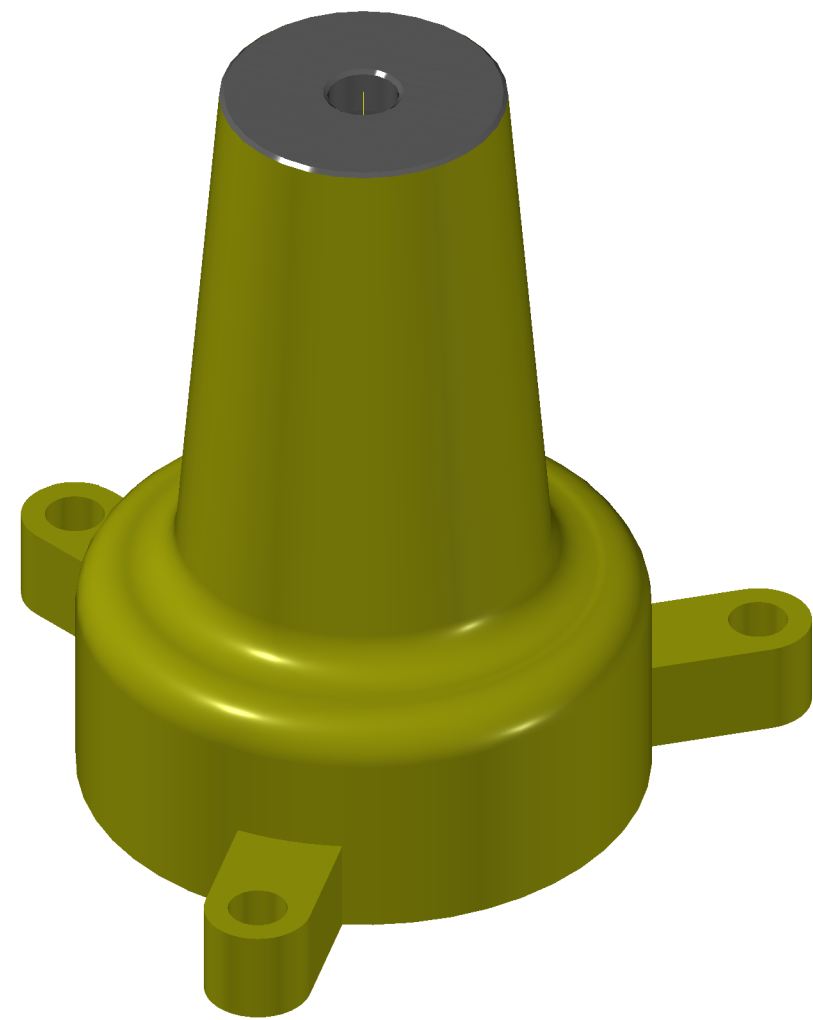
REVISIONS		
REVISION	DESCRIPTION	DATE
PAPER SIZE	CHANGED FROM ANSI B TO ANSI C	5/12/2026
ARM E-01	LENGTH CHANGED FROM 4.50 TO 5.50	5/12/2026
ARM E-02	LENGTH CHANGED FROM 3.50 TO 4.00	5/12/2026
SLIDING TUBE	LENGTH CHANGE FROM 4.19 TO 5.19	5/12/2026



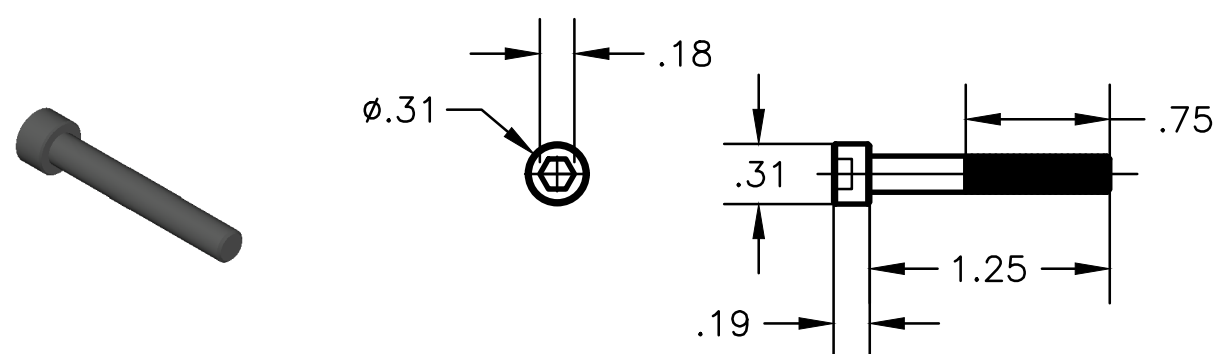
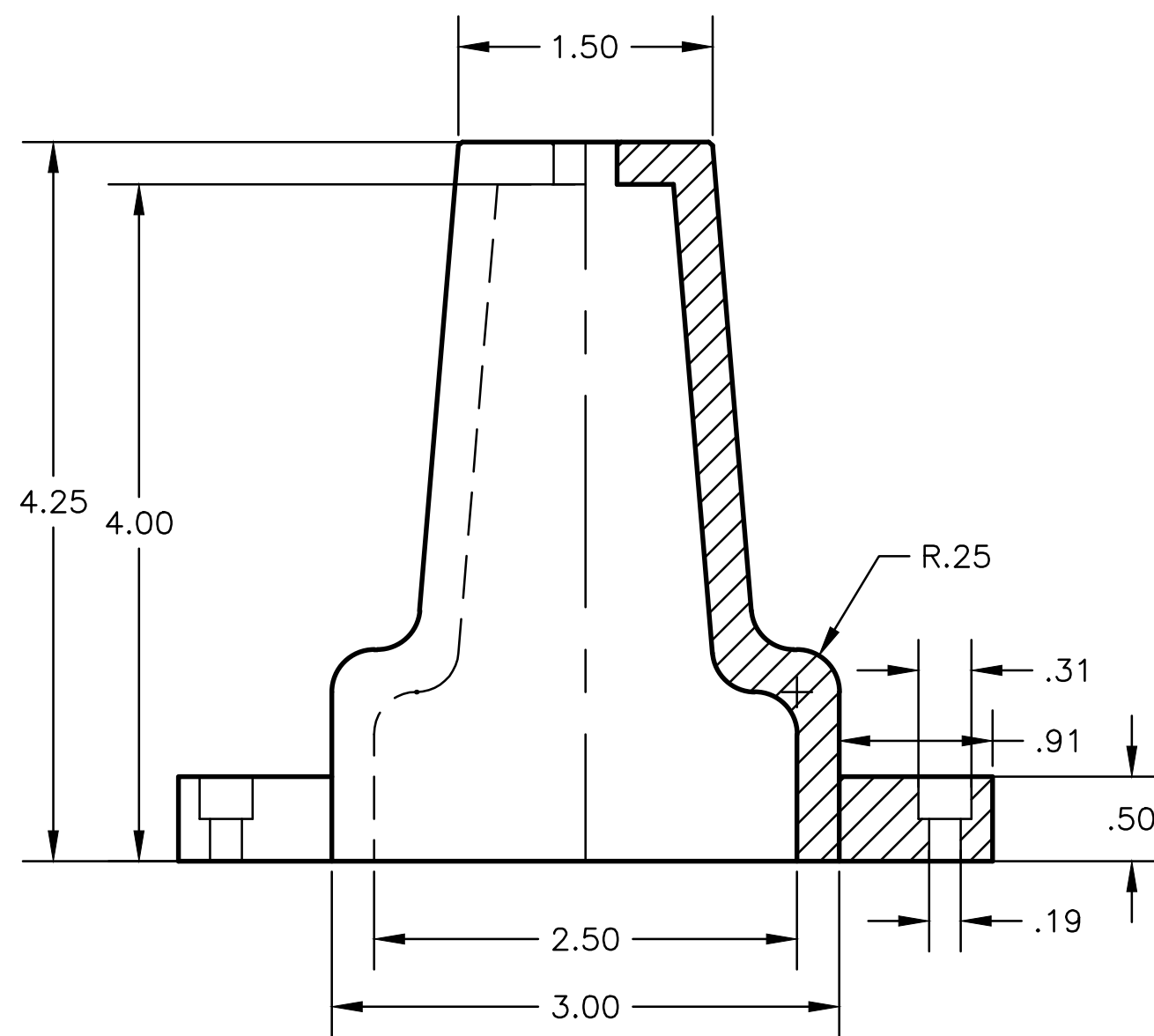
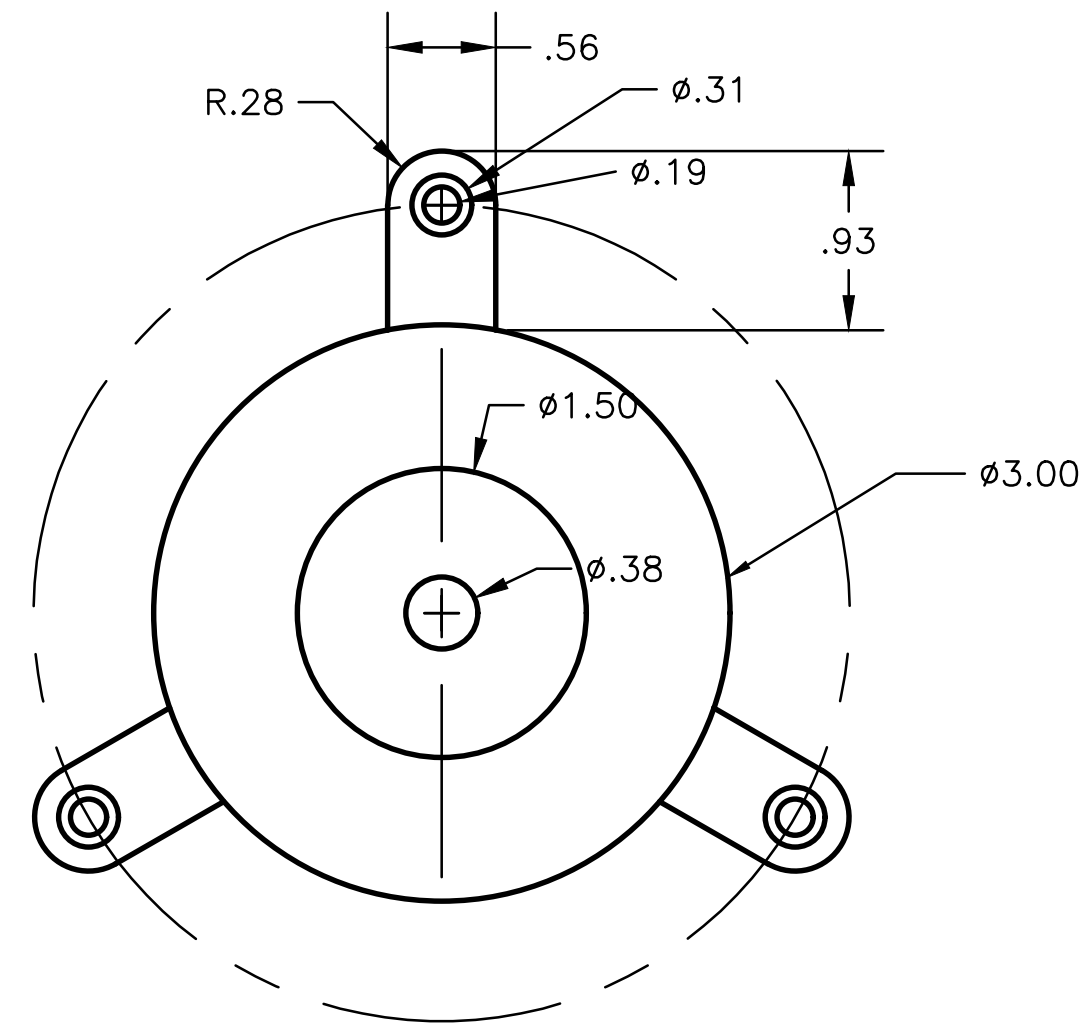
TOLERANCES UNLESS SPECIFIED:
 DECIMAL INCHES:
 X = +0.20
 XX = +0.010
 XXX = +.005
 FRACTIONAL = 1/64"
 ANGLES: +1 DEGREE
 SURFACES

CLASS: DDGT241
 ASSIGNMENT # 10-83
 AUTOCAD DRAWING NAME: ROBOTIC ARM
 FIG # X = XXX
 MANAGER: G. STROMMEN
 DRAFTER: P. BUSCHER
 DATE: 4/28/2026
 SCALE: AS NOTED
 PAGE # 2 OF 5

GENERAL NOTES:



BASE E-01
SCALE 1:1



CAP SCREW
SCALE 1:1

LEGEND:

- ϕ DIAMETER
- R RADIUS
- ° DEGREES
- | | SPOTFACE/COUNTERBORE
- ∇ COUNTERSINK
- ∇ DEPTH
- CUBED

TOLERANCES UNLESS SPECIFIED:
DECIMAL INCHES:
X = +0.20
XX = +0.10
XXX = +.005
FRACTIONAL = 1/64"
ANGLES +1 DEGREE
SURFACES

CLASS: DDGT241

ASSIGNMENT # 10-83

AUTOCAD DRAWING NAME:
ROBOTIC ARM

FIG # X = XXX

MANAGER: G. STROMMEN

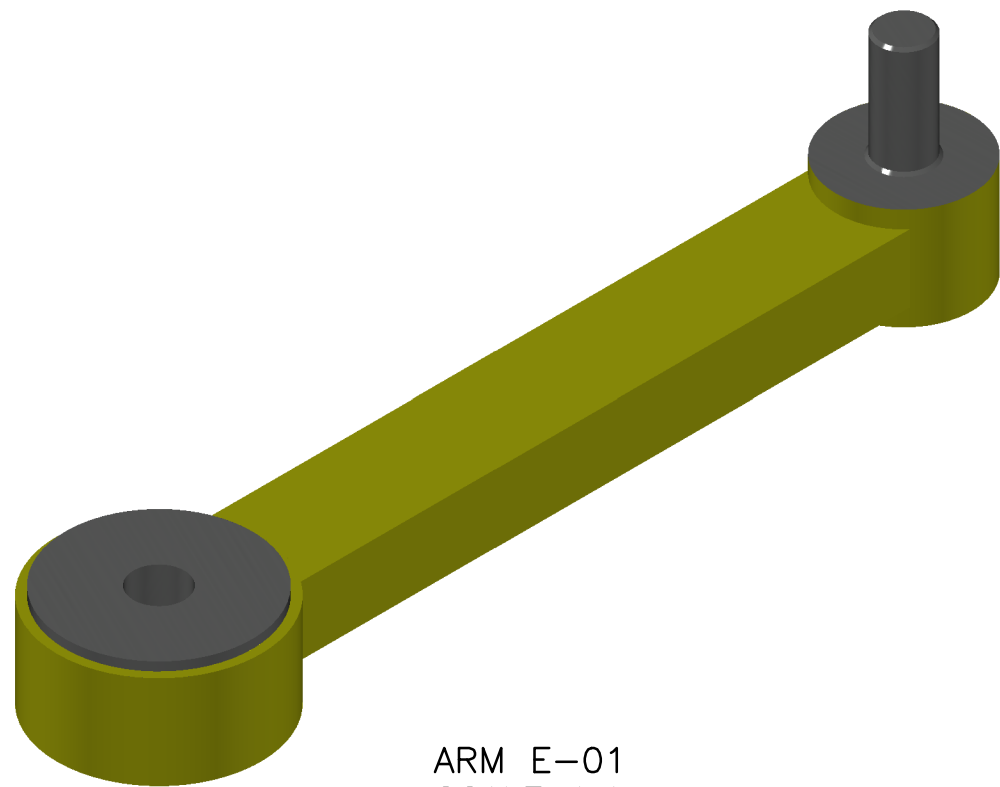
DRAFTER: P. BUSCHER

DATE: 4/28/2026

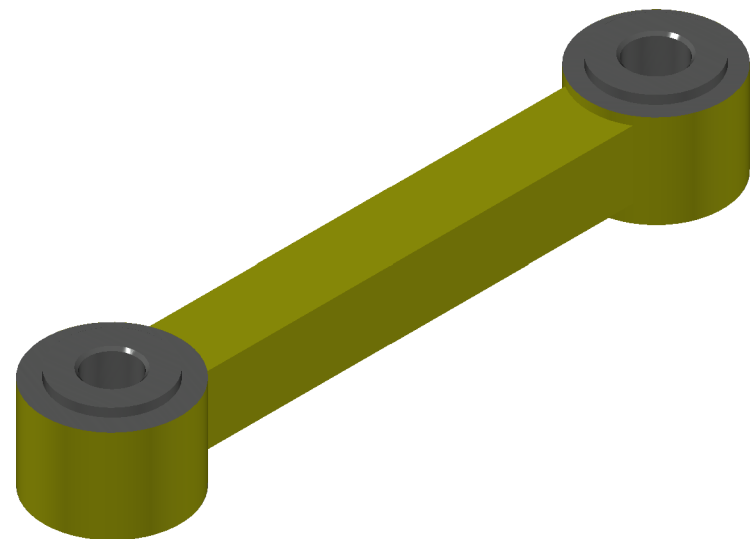
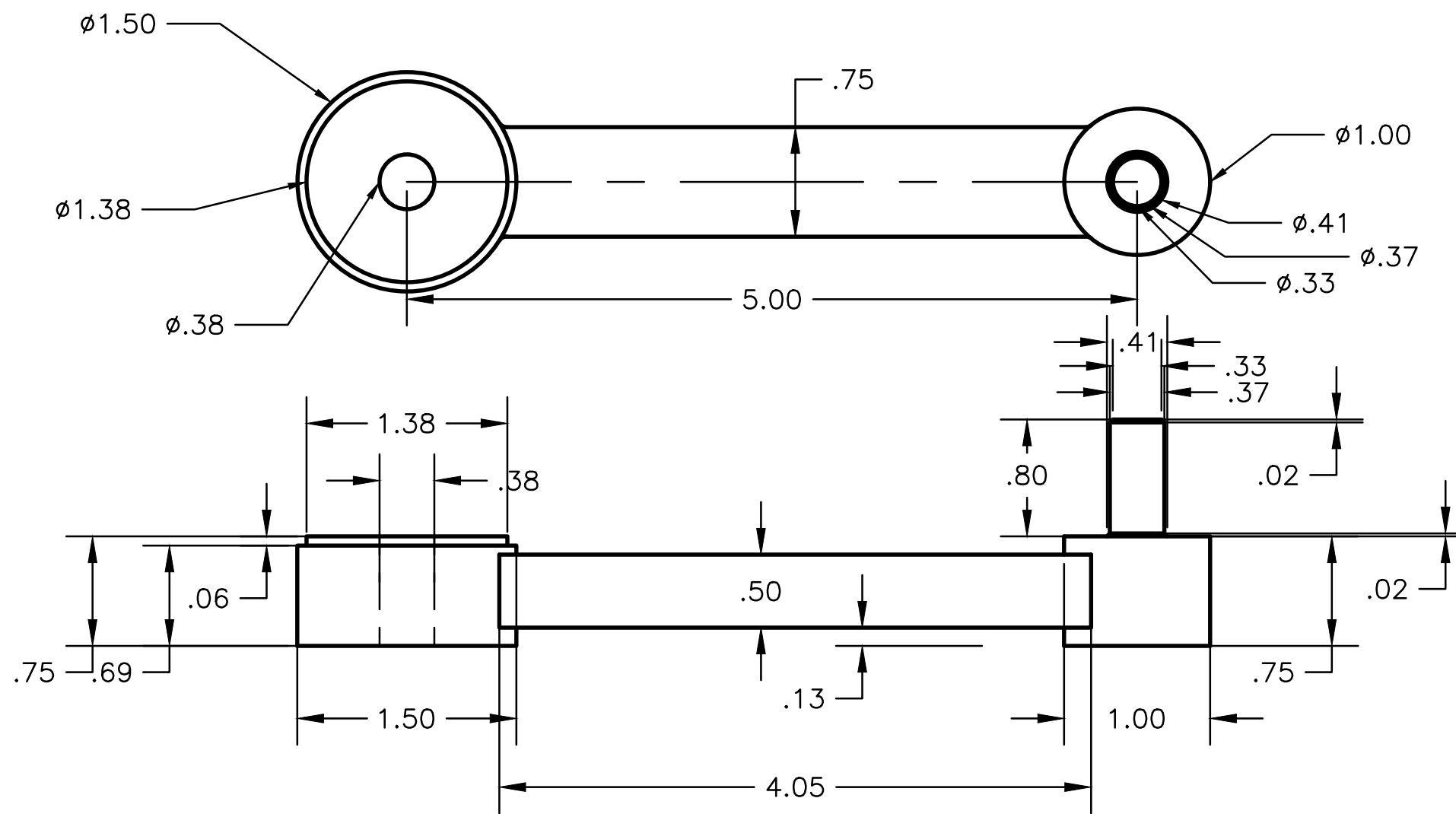
SCALE: AS NOTED

PAGE # 3 OF 5

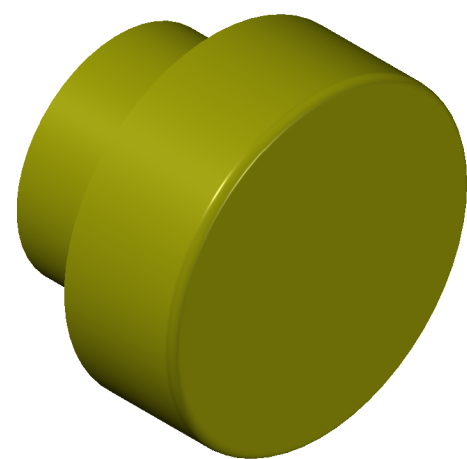
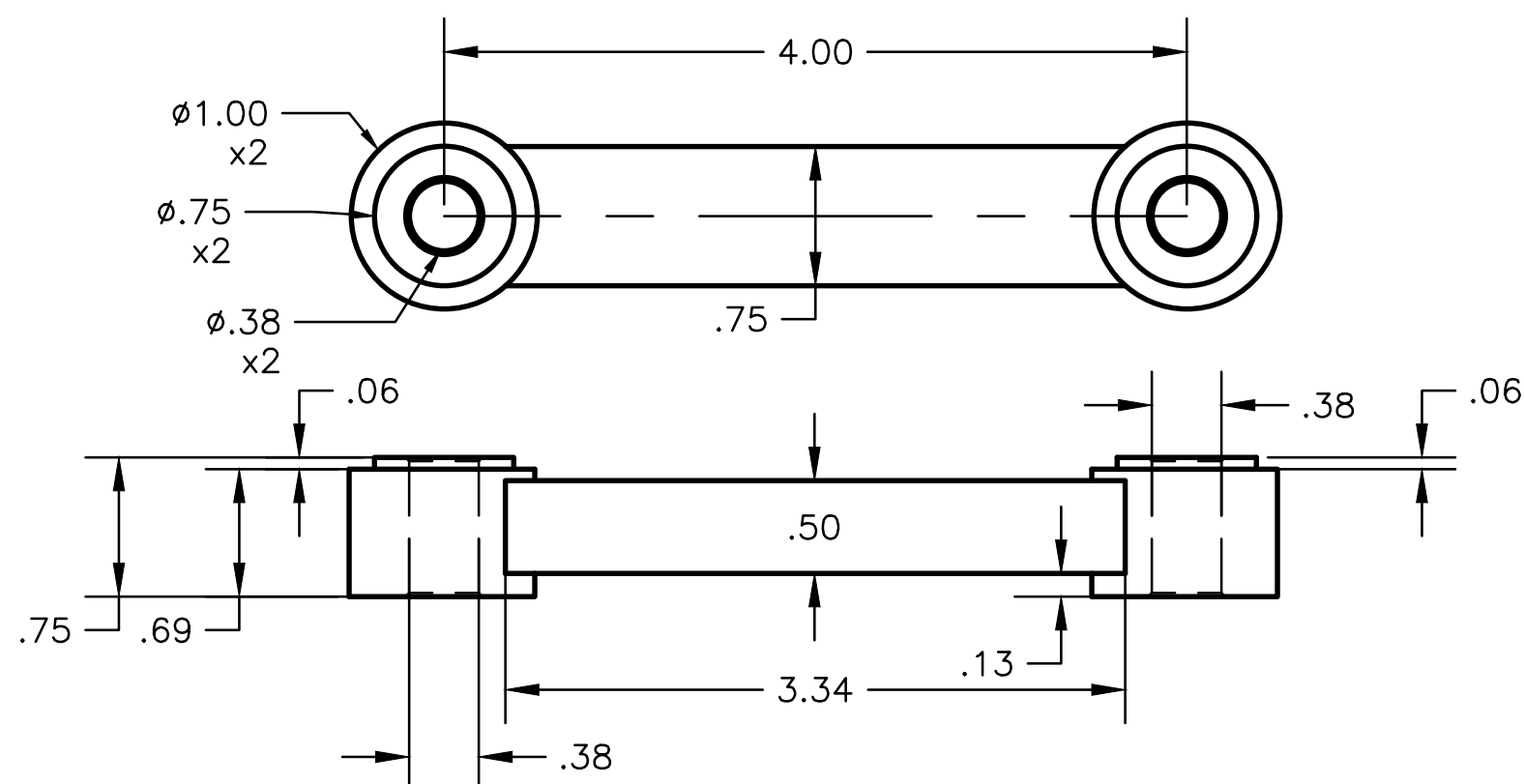
GENERAL NOTES:



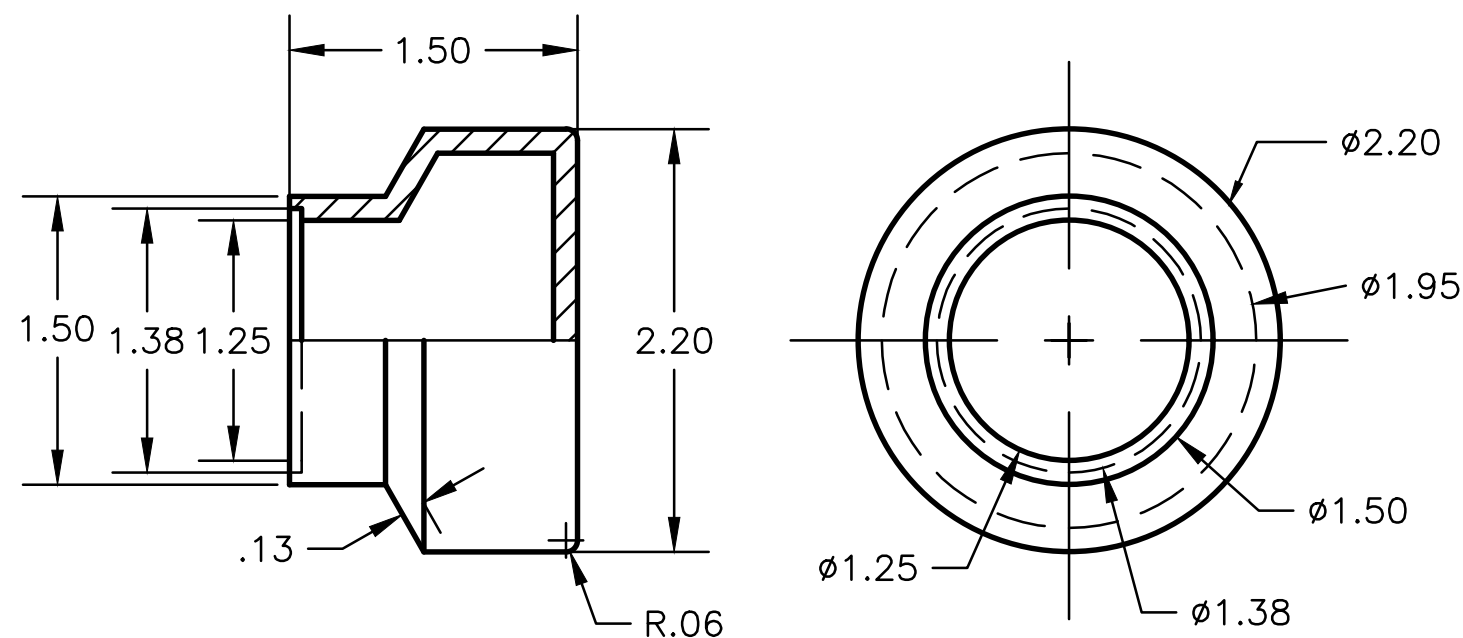
ARM E-01
SCALE 1:1



ARM E-02
SCALE 1:2



BASE CAP
SCALE 1:1



LEGEND:

- ϕ DIAMETER
- R RADIUS
- \cdot DEGREES
- | | SPOTFACE/COUNTERBORE
- ∇ COUNTERSINK
- ∇ DEPTH
- \square CUBED

TOLERANCES UNLESS SPECIFIED:
DECIMAL INCHES:
X = +0.20
XX = +0.10
XXX = +0.05
FRACTIONAL = 1/64"
ANGLES: +1 DEGREE
SURFACES

CLASS: DDGT241

ASSIGNMENT # 10-83

AUTOCAD DRAWING NAME:
ROBOTIC ARM

FIG # X = XXX

MANAGER: G. STROMMEN

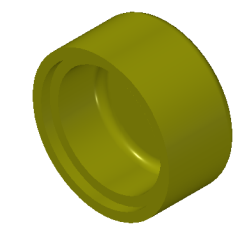
DRAFTER: P. BUSCHER

DATE: 4/28/2026

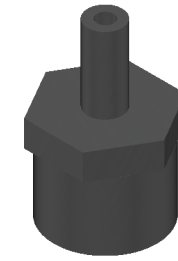
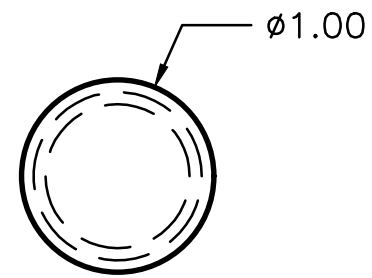
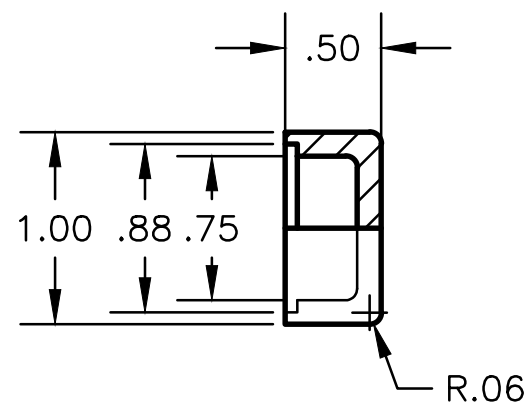
SCALE: AS NOTED

PAGE # 4 OF 5

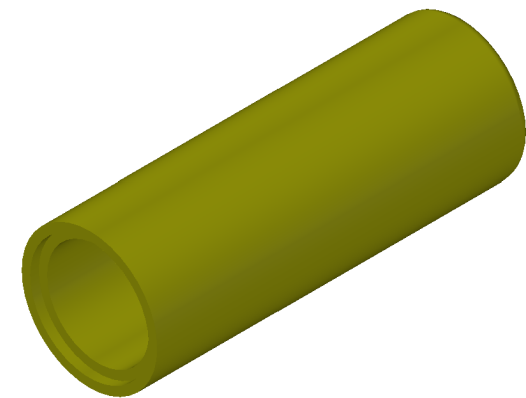
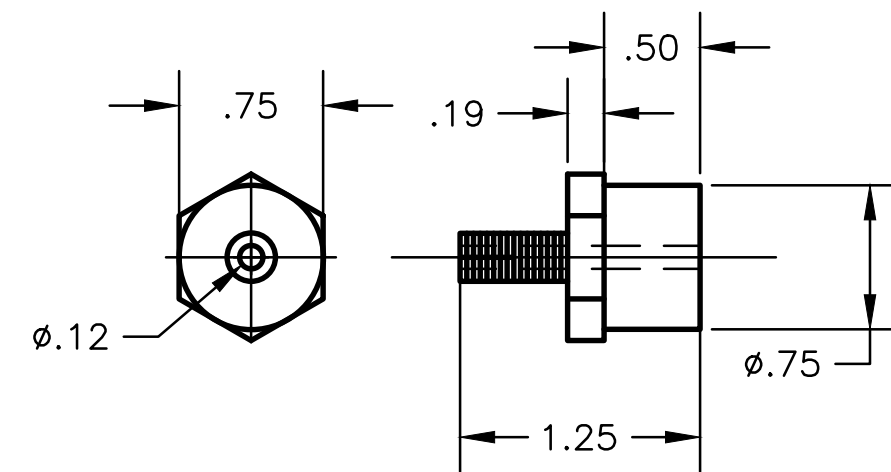
GENERAL NOTES:



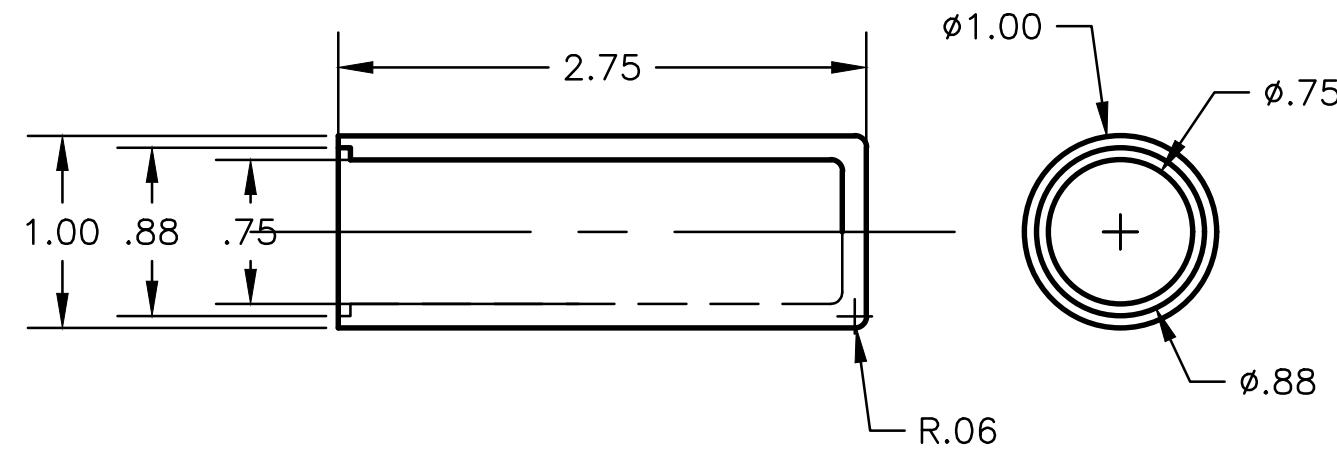
ELBOW CAP
SCALE 1:1



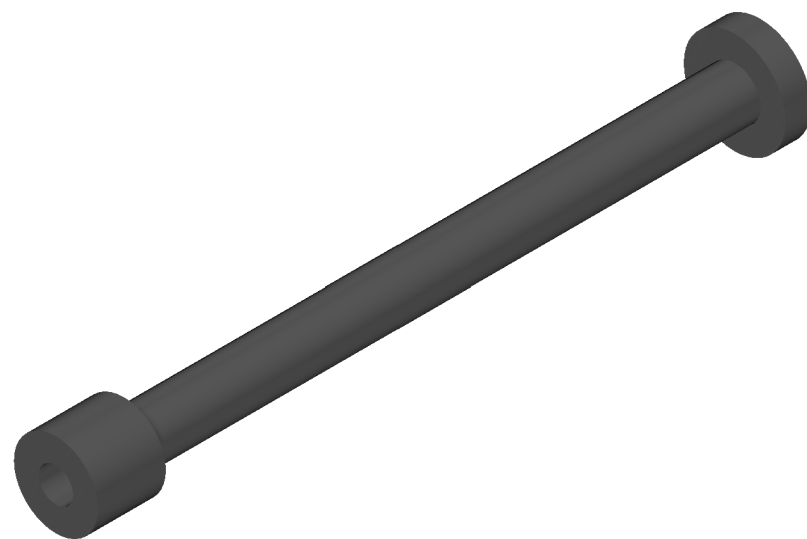
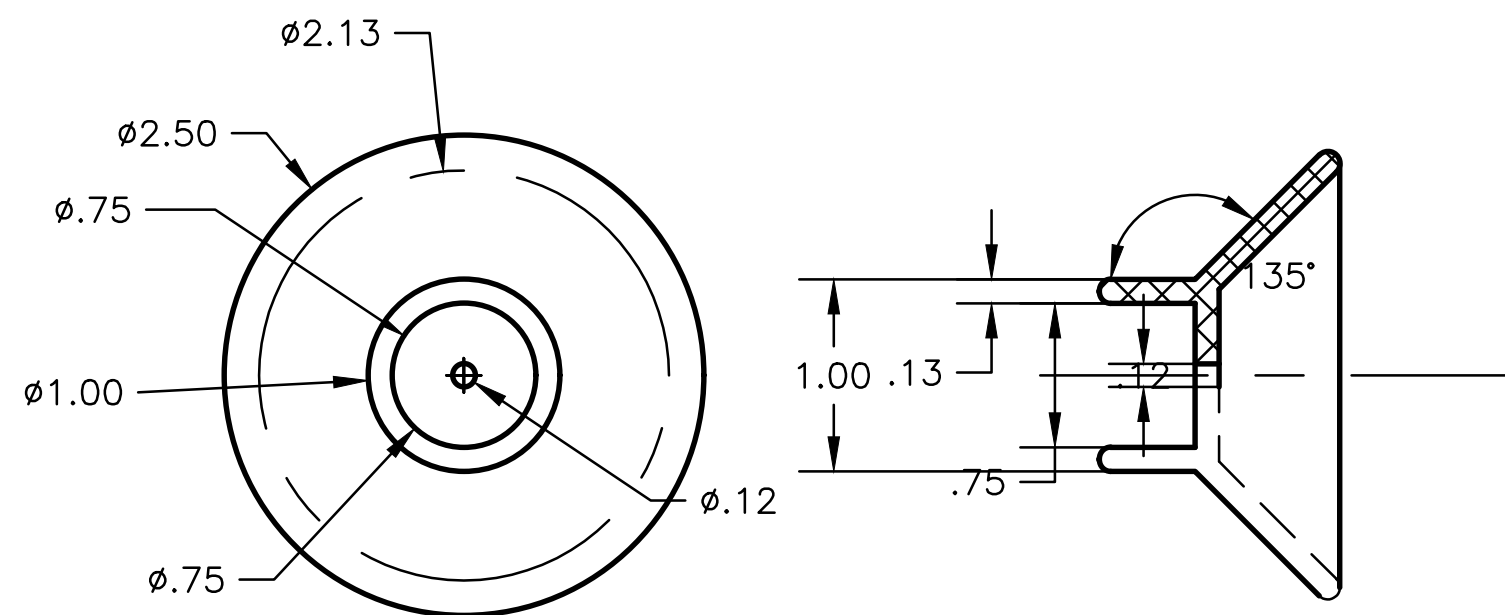
VACUUM SCREW
SCALE 1:1



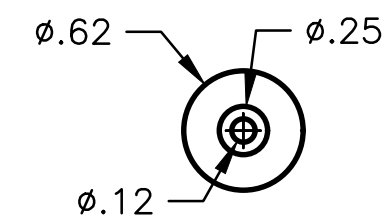
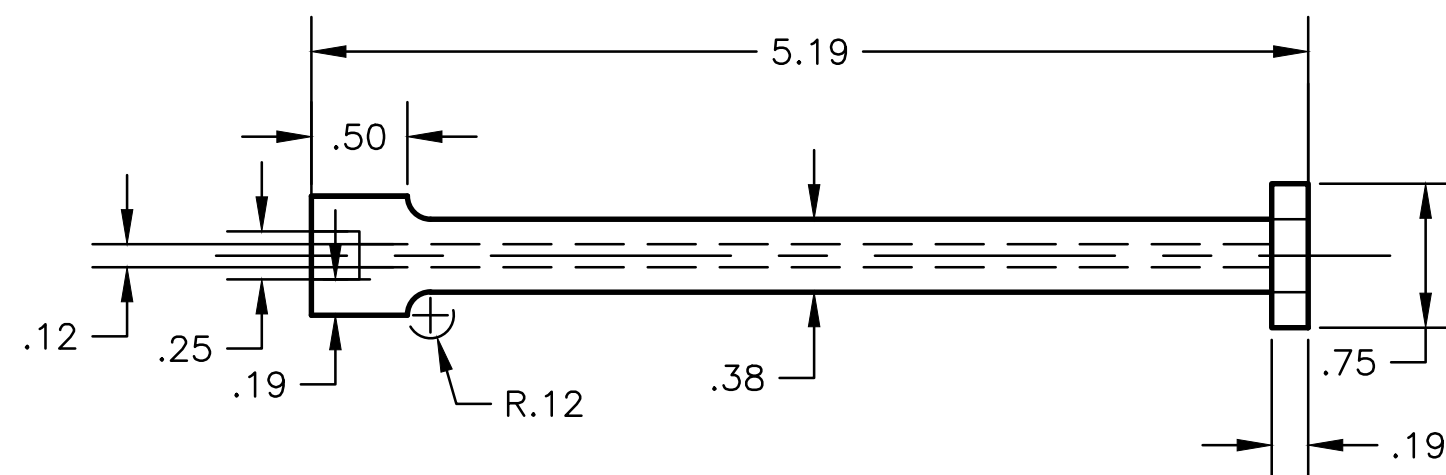
VACUUM CAP
SCALE 1:1



VACUUM CUP
SCALE 1:1

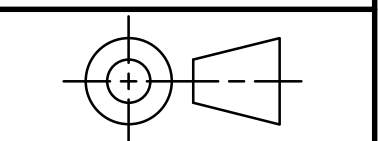


SLIDING TUBE + WASHER
SCALE 1:1



LEGEND:

- ϕ DIAMETER
- R RADIUS
- ° DEGREES
- | | SPOTFACE/COUNTERBORE
- ∇ COUNTERSINK
- ∇ DEPTH
- CUBED



TOLERANCES UNLESS SPECIFIED:
DECIMAL INCHES:
X = +0.20
XX = +0.010
XXX = +.005
FRACTIONAL = 1/64"
ANGLES: +1 DEGREE
SURFACES

CLASS: DDGT241

ASSIGNMENT # 10-83

AUTOCAD DRAWING NAME:
ROBOTIC ARM

FIG # X = XXX

MANAGER: G. STROMMEN

DRAFTER: P. BUSCHER

DATE: 4/28/2026

SCALE: AS NOTED

PAGE # 5 OF 5