

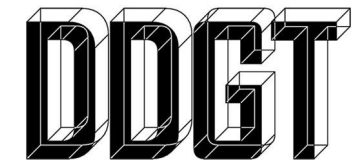
ROBOTIC ARM
SCALE 1:1

GENERAL NOTES:
GENERAL NOTES GO HERE

PARTS LIST		
ITEM	QTY	PART NUMBER
1	1	BASE_E-01
2	1	ARM_E-01
3	1	ARM_E-02
4	1	BASE CAP
5	1	ELBOW CAP
6	1	VACUUM CAP
7	1	VACUUM CONNECTOR
8	1	VACUUM CUP
9	1	SLIDER TUBE AASSEMBLY
10	3	CAP SCREW
11	1	VACUUM TUBE

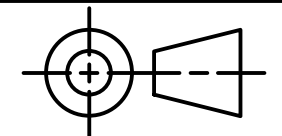
LEGEND:

- ∅ DIAMETER
- R RADIUS
- ° DEGREES
- COUNTERBORE/SPOTFACE
- ∨ COUNTERSINK
- ∇ DEPTH
- CUBED



DIGITAL DESIGN
GRAPHICS
TECHNOLOGY

WWW.DDGT.NET



TOLERANCES UNLESS SPECIFIED:
DECIMAL INCHES:
X = ±.020
XX = ±.010
XXX = ±.005
FRACTIONAL ±1/64"
ANGLES ±1 DEGREE
SURFACES 32

CLASS: DDGT241

PAGE #: XX

INVENTOR DRAWING NAME:
ROBOTIC ARM

FIG #: FIG # 10-58

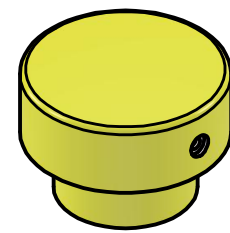
MANAGER: G. STROMMEN

DRAFTER: pbusc

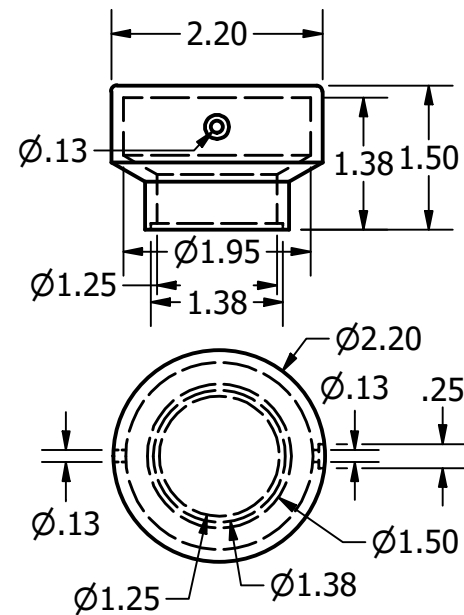
DATE: 4/27/2026

SCALE: AS NOTED

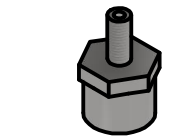
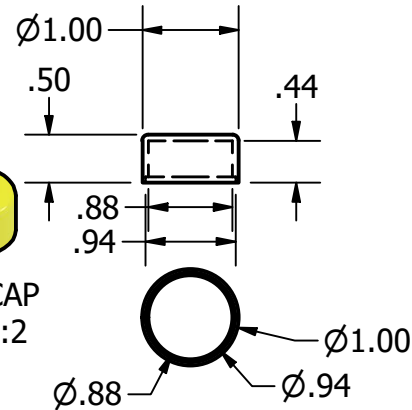
PAGE #: 1 OF 3



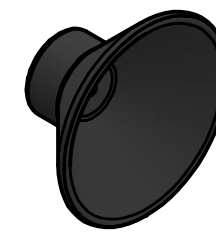
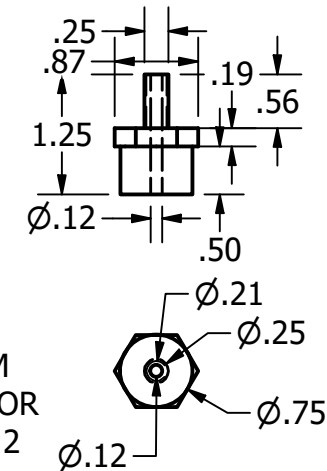
BASE CAP
SCALE 1:2



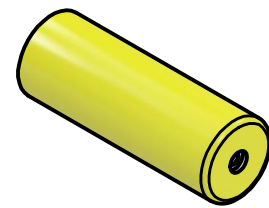
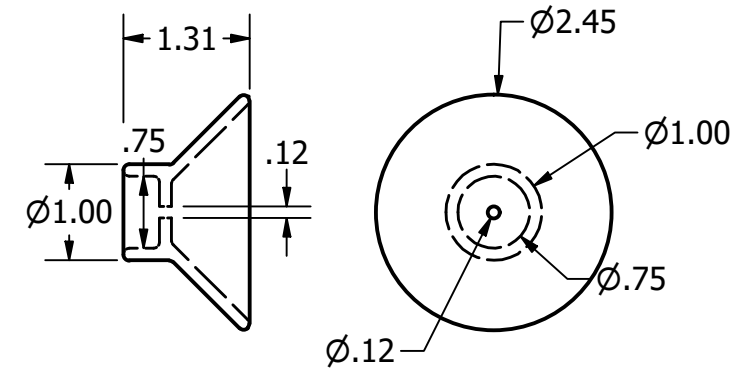
ELBOW CAP
SCALE 1:2



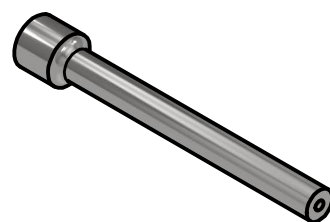
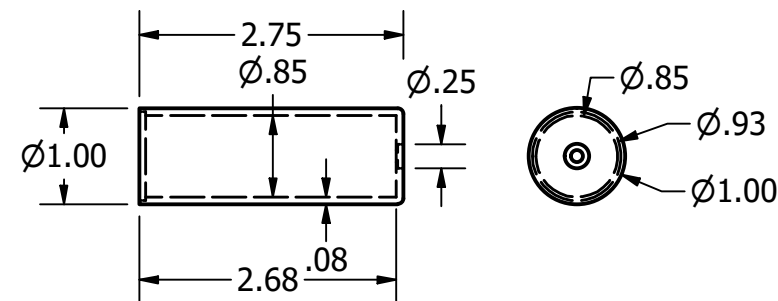
VACUUM
CONNECTOR
SCALE 1:2



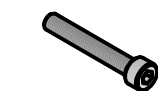
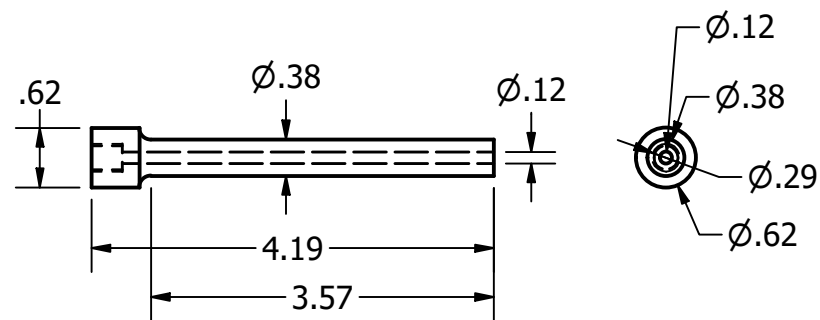
VACUUM CUP
SCALE 1:2



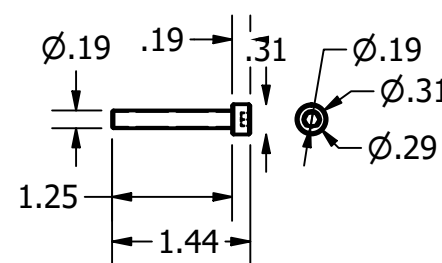
VACUUM CAP
SCALE 1:2



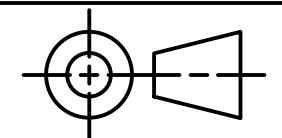
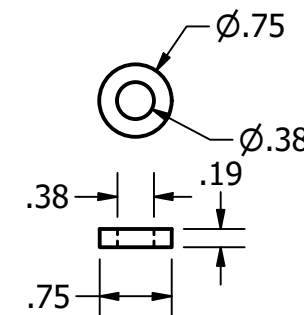
SLIDER TUBE
SCALE 1:2



CAP SCREW
SCALE 1:2



WASHER
SCALE 1:2



TOLERANCES UNLESS SPECIFIED:
DECIMAL INCHES:
X = ± 0.020
XX = ± 0.010
XXX = ± 0.005
FRACTIONAL $\pm 1/64$ "
ANGLES ± 1 DEGREE
SURFACES $32 \sqrt{\quad}$

CLASS: DDGT241

PAGE #: XX

INVENTOR DRAWING NAME:
ROBOTIC ARM

FIG #: FIG # 10-58

MANAGER: G. STROMMEN

DRAFTER: pbusc

DATE: 4/27/2026

SCALE: AS NOTED

PAGE #: 3 OF 3