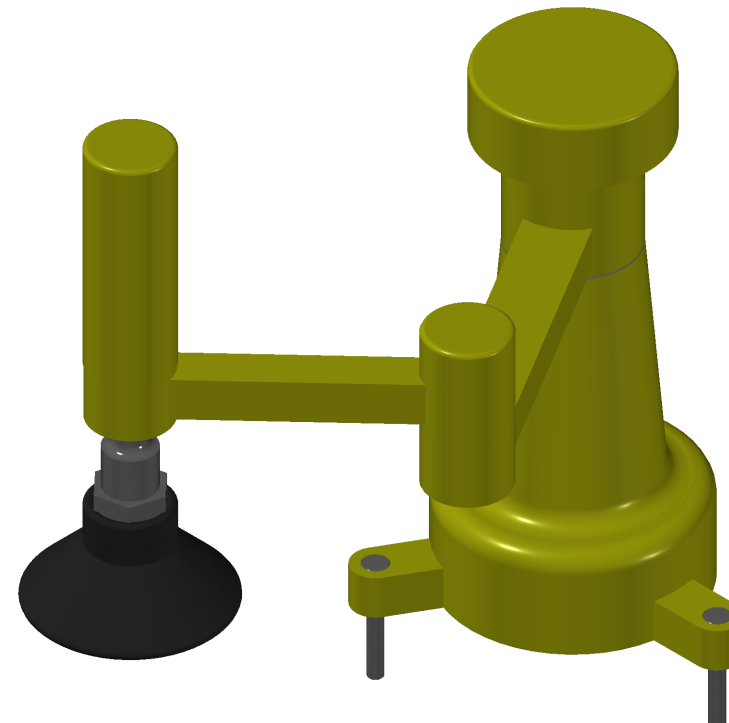


ROBOTIC ARM
SCALE 1:2



ROBOTIC ARM (ALT. VIEW)
SCALE 1:2

LEGEND:

- ∅ DIAMETER
- R RADIUS
- ° DEGREES
- | | SPOTFACE/COUNTERBORE
- ✓ COUNTERSINK
- ▽ DEPTH
- CUBED

GENERAL NOTES:

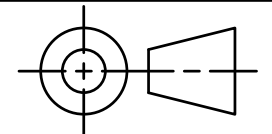
GENERAL NOTES GO HERE

PARTS LIST			
ITEM	QTY.	PART NAME	MATERIAL
1	1	BASE E-01	ALUMINUM
2	1	ARM E-01	ALUMINUM
3	1	ARM E-02	ALUMINUM
4	1	SLIDING TUBE	STEEL
5	1	VACUUM CON.	STEEL
6	1	VACUUM CUP	RUBBER
7	1	BASE CAP	ALUMINUM
8	1	ELBOW CAP	ALUMINUM
9	1	VACUUM CAP	ALUMINUM
10	3	CAP SCREW-1 1/4	STEEL



DIGITAL DESIGN
GRAPHICS
TECHNOLOGY

WWW.DDGT.NET



TOLERANCES UNLESS SPECIFIED:
DECIMAL INCHES:
X = +0.20
XX = +0.010
XXX = +0.005
FRACTIONAL = 1/64"
ANGLES +1 DEGREE
SURFACES

CLASS: DDGT241

ASSIGNMENT # 10-83

AUTOCAD DRAWING NAME:
ROBOTIC ARM

FIG # X = XXX

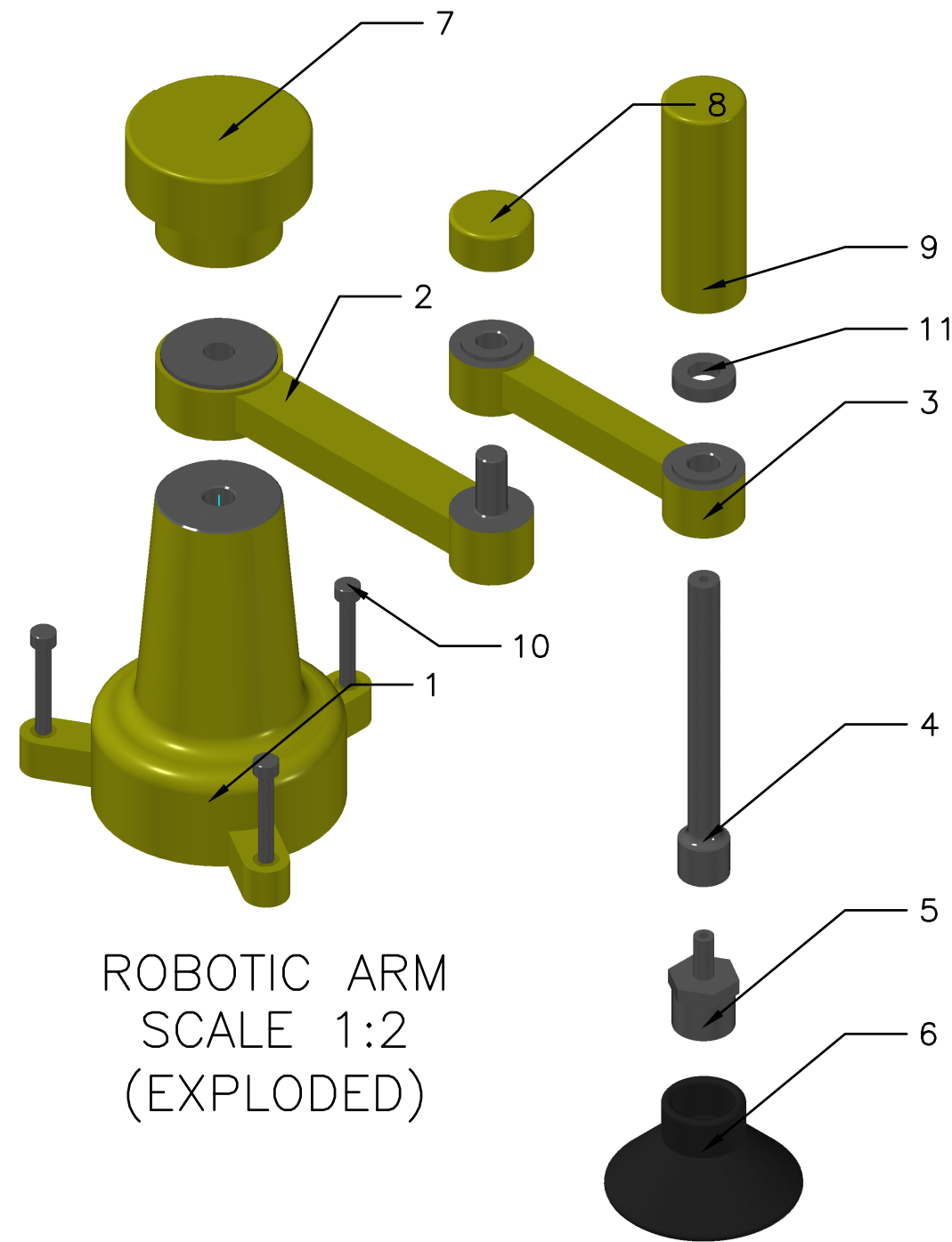
MANAGER: G. STROMMEN

DRAFTER: P. BUSCHER

DATE: 4/28/2026

SCALE: AS NOTED

PAGE # 1 OF 4



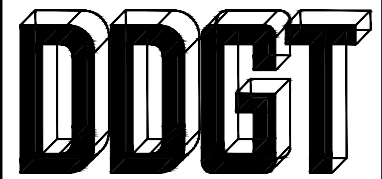
ROBOTIC ARM
SCALE 1:2
(EXPLODED)

PARTS LIST			
ITEM	QTY.	PART NAME	MATERIAL
1	1	BASE E-01	ALUMINUM
2	1	ARM E-01	ALUMINUM
3	1	ARM E-02	ALUMINUM
4	1	SLIDING TUBE	STEEL
5	1	VACUUM CON.	STEEL
6	1	VACUUM CUP	RUBBER
7	1	BASE CAP	ALUMINUM
8	1	ELBOW CAP	ALUMINUM
9	1	VACUUM CAP	ALUMINUM
10	3	CAP SCREW-1 1/4	STEEL
11	1	WASHER	STEEL

GENERAL NOTES:
GENRAL NOTES GO HERE

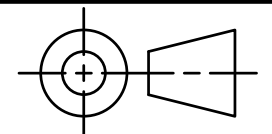
LEGEND:

- ∅ DIAMETER
- R RADIUS
- ° DEGREES
- | | SPOTFACE/COUNTERBORE
- ∨ COUNTERSINK
- ∇ DEPTH
- CUBED



DIGITAL DESIGN
GRAPHICS
TECHNOLOGY

WWW.DDGT.NET



TOLERANCES UNLESS SPECIFIED:
DECIMAL INCHES:
X = +0.20
XX = +.010
XXX = +.005
FRACTIONAL = 1/64"
ANGLES +1 DEGREE
SURFACES

CLASS: DDGT241

ASSIGNMENT # 10-83

AUTOCAD DRAWING NAME:
ROBOTIC ARM

FIG # X = XXX

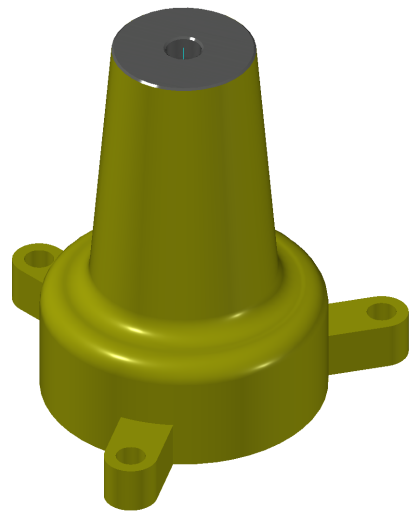
MANAGER: G. STROMMEN

DRAFTER: P. BUSCHER

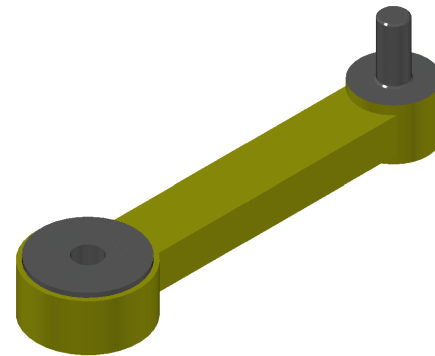
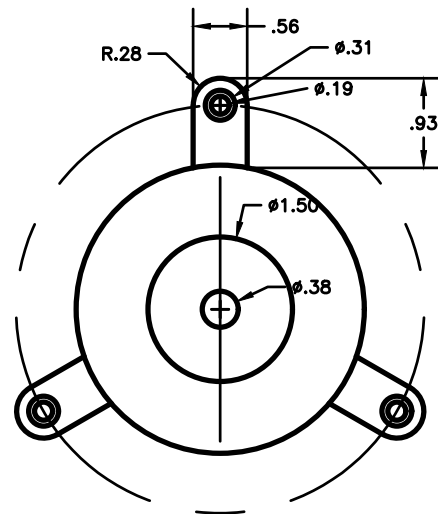
DATE: 4/28/2026

SCALE: AS NOTED

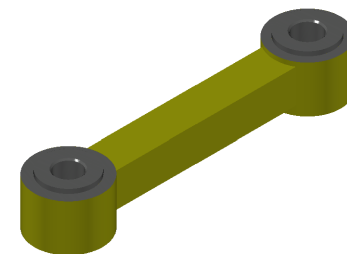
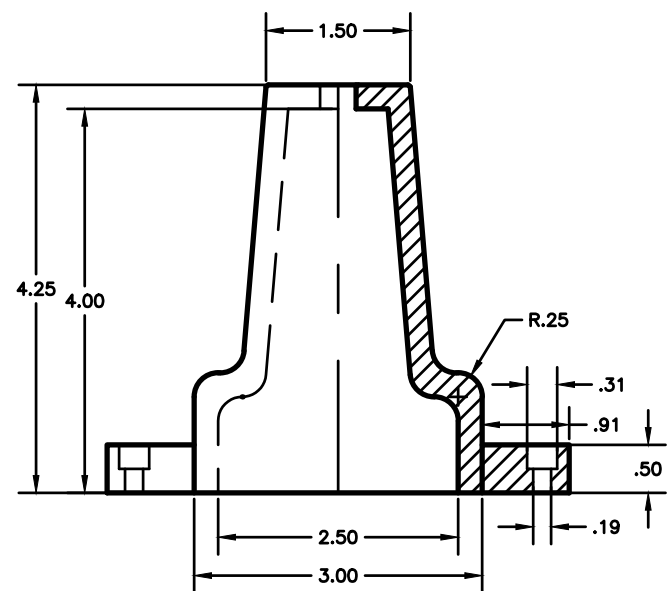
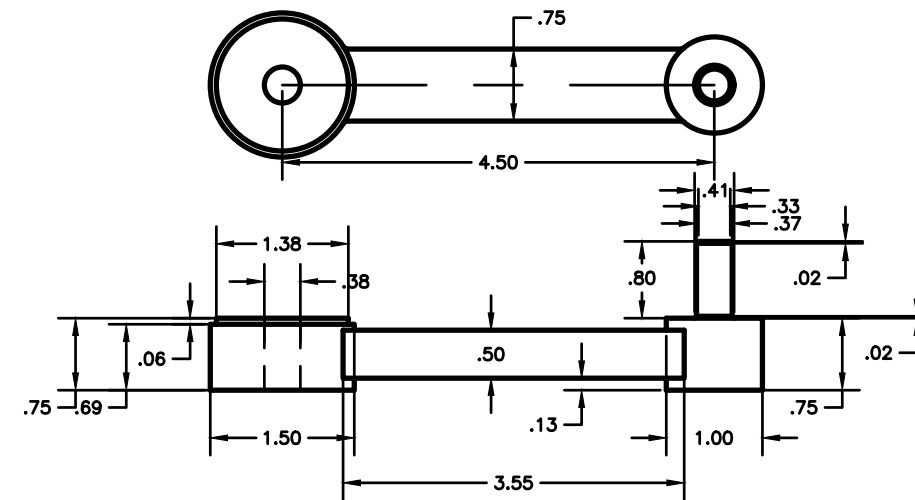
PAGE # 2 OF 4



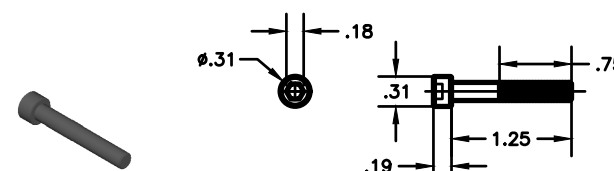
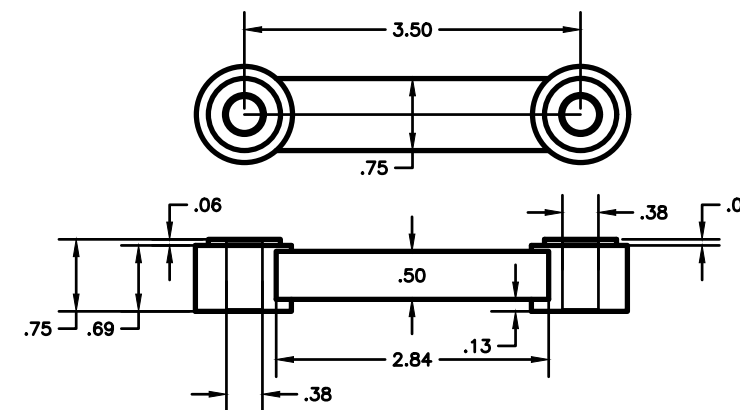
BASE E-01
SCALE 1:2



ARM E-01
SCALE 1:2



ARM E-02
SCALE 1:2

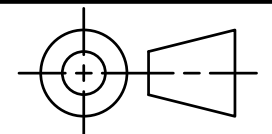


CAP SCREW
SCALE 1:2

GENERAL NOTES:

LEGEND:

- ϕ DIAMETER
- R RADIUS
- \circ DEGREES
- | | SPOTFACE/COUNTERBORE
- ✓ COUNTERSINK
- ∇ DEPTH
- CUBED



TOLERANCES UNLESS SPECIFIED:
DECIMAL INCHES:
X = +0.20
XX = +0.010
XXX = +0.005
FRACTIONAL = 1/64"
ANGLES +1 DEGREE
SURFACES

CLASS: DDGT241

ASSIGNMENT # 10-83

AUTOCAD DRAWING NAME:
ROBOTIC ARM

FIG # X = XXX

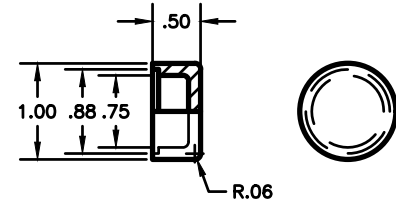
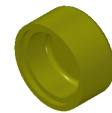
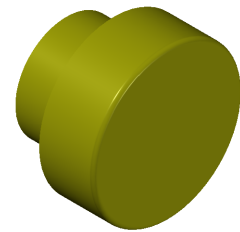
MANAGER: G. STROMMEN

DRAFTER: P. BUSCHER

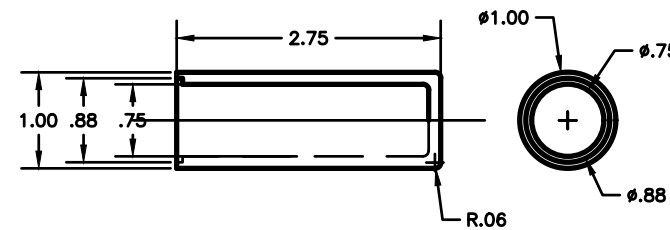
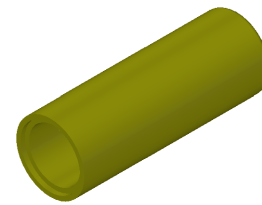
DATE: 4/28/2026

SCALE: AS NOTED

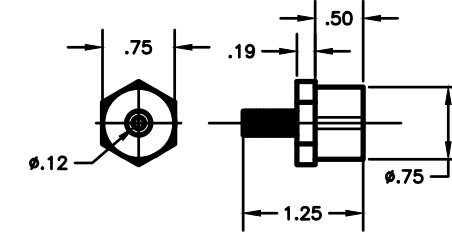
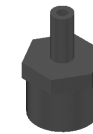
PAGE # 3 OF 4



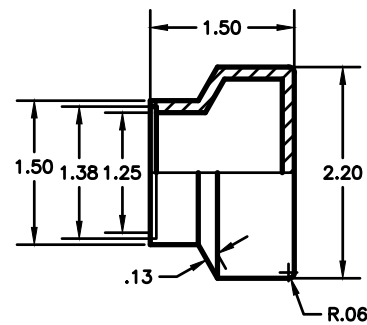
BASE CAP
SCALE 1:2



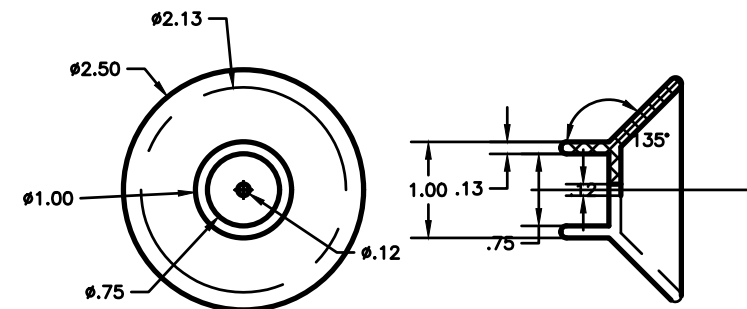
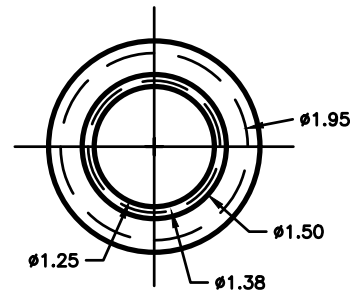
VACUUM CAP
SCALE 1:2



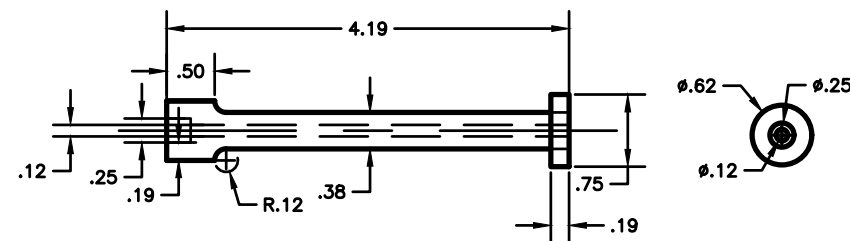
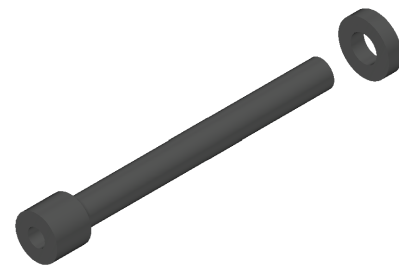
VACUUM SCREW
SCALE 1:2



ELBOW CAP
SCALE 1:2



VACUUM CUP
SCALE 1:2

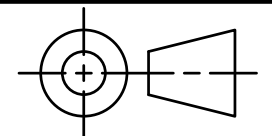


SLIDING TUBE + WASHER
SCALE 1:2

GENERAL NOTES:
GENERAL NOTES GO HERE

LEGEND:

- ∅ DIAMETER
- R RADIUS
- ° DEGREES
- | SPOTFACE/COUNTERBORE
- ∨ COUNTERSINK
- ∇ DEPTH
- CUBED



TOLERANCES UNLESS SPECIFIED:
DECIMAL INCHES:
X = +0.20
XX = +0.010
XXX = +0.005
FRACTIONAL = 1/64"
ANGLES +1 DEGREE
SURFACES

CLASS: DDGT241

ASSIGNMENT # 10-83

AUTOCAD DRAWING NAME:
ROBOTIC ARM

FIG # X = XXX

MANAGER: G. STROMMEN

DRAFTER: P. BUSCHER

DATE: 4/28/2026

SCALE: AS NOTED

PAGE # 4 OF 4