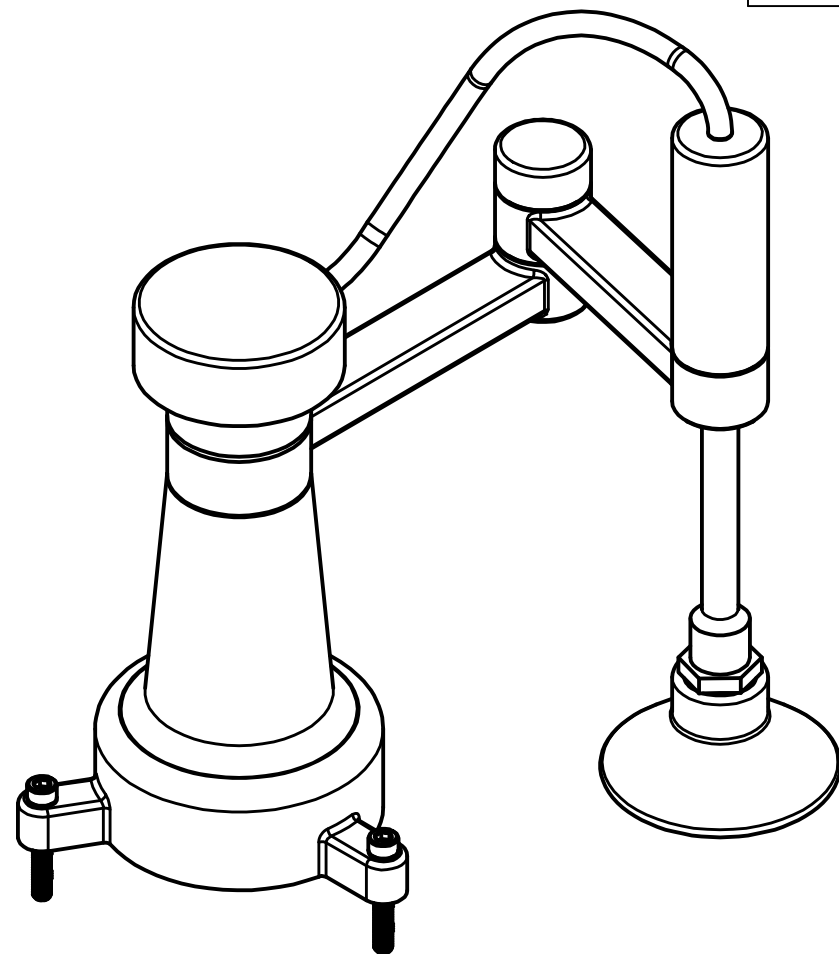


PARTS LIST				
ITEM	QTY	PART NUMBER	MATERIAL	DESCRIPTION
1	1	BASE	ALUMINUM	
2	1	ARM E-01	ALUMINUM	
3	1	ARM E-02	ALUMINUM	
4	1	SLIDING TUBE		SUB ASSEMBLY
4.1	1	SLIDING TUBE BOTTOM	STEEL	
4.2	1	SLIDING TUBE TOP	STEEL	
5	1	VACUUM CONNECTOR	STEEL	
6	1	VACUUM CUP	RUBBER	
7	1	BASE CAP	ALUMINUM	
8	1	ELBOW CAP	ALUMINUM	
9	1	VACUUM CAP	ALUMINUM	
10	3	CAP SCREW	STEEL	90128A948 MCMASTERCARR
11	1	VACUUM TUBE	Generic	



ASSEMBLY VIEW
SCALE 1 / 2

GENERAL NOTES:

ALL FILLETS .06 UNLESS OTHERWISE NOTED. ALL CHAMFERS .02 X 45° UNLESS OTHERWISE NOTED

LEGEND:

- ∅ DIAMETER
- R RADIUS
- ° ANGLE
- ┌┐ COUNTERBORE/SPOTFACE
- ▽ DEPTH

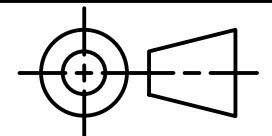


DIGITAL DESIGN
GRAPHICS
TECHNOLOGY

WWW.DDGT.NET



Paul Bell
3D Modeling and Design
paulbell1802@gmail.com
<https://ddgt.net/studentpages/pbell/>



TOLERANCES UNLESS SPECIFIED:
DECIMAL INCHES:
X = ±.020
XX = ±.010
XXX = ±.005
FRACTIONAL ±1/64"
ANGLES ±1 DEGREE
SURFACES ³²✓

CLASS: DDGT 241

ASSIGNMENT #: 10

INVENTOR DRAWING NAME:
ROBOTIC ARM

FIG #: 1058

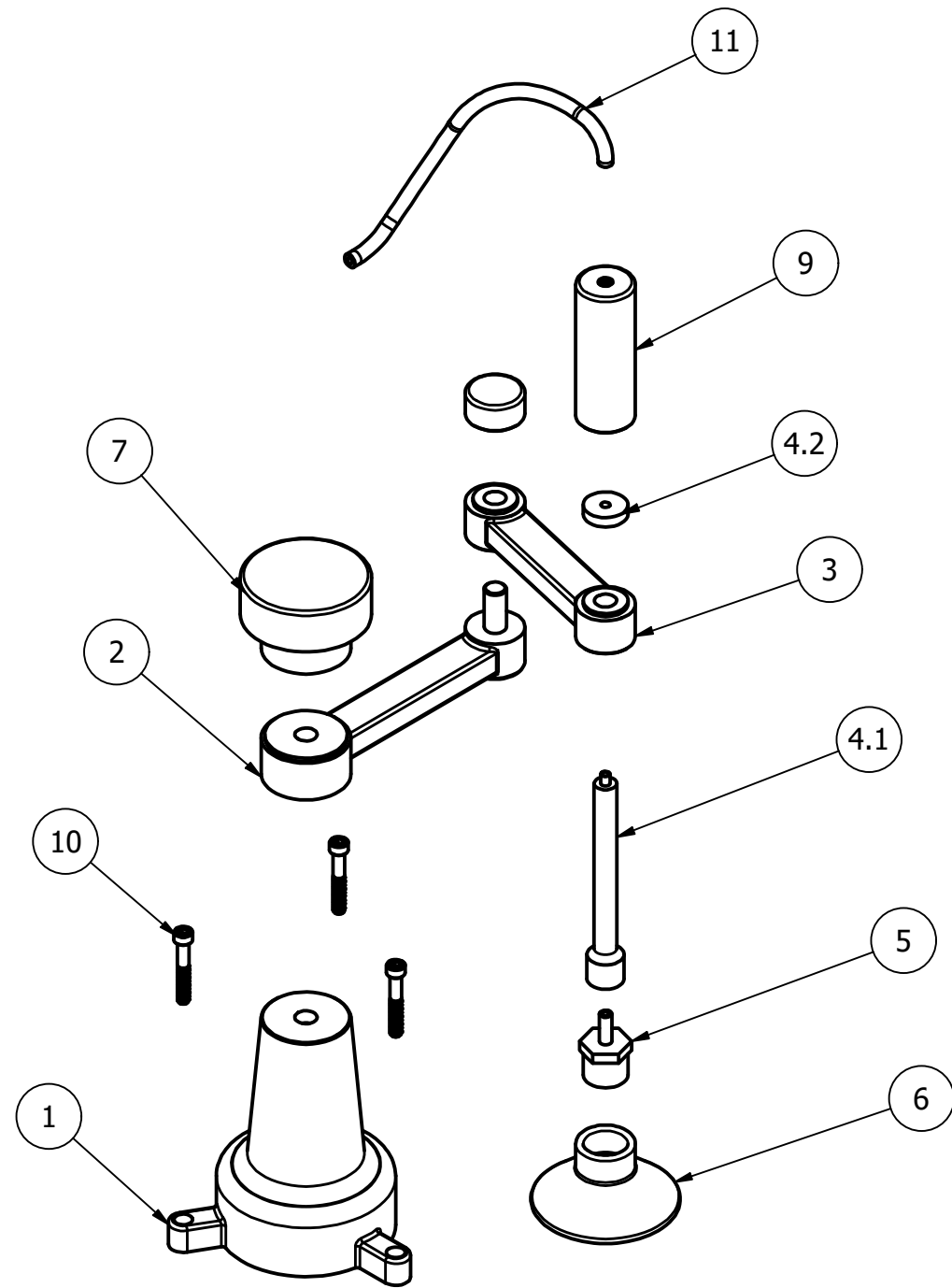
MANAGER: G. STROMNEN

DRAFTER: P. BELL

DATE: 2/3/2026

SCALE: AS NOTED

PAGE #: 1 OF 5



EXPLODED VIEW
SCALE 1 / 3

PARTS LIST		
ITEM	QTY	PART NUMBER
1	1	BASE
2	1	ARM E-01
3	1	ARM E-02
4	1	SLIDING TUBE
4.1	1	SLIDING TUBE BOTTOM
4.2	1	SLIDING TUBE TOP
5	1	VACUUM CONNECTOR
6	1	VACUUM CUP
7	1	BASE CAP
8	1	ELBOW CAP
9	1	VACUUM CAP
10	3	CAP SCREW
11	1	VACUUM TUBE

LEGEND:

- ∅ DIAMETER
- R RADIUS
- ° ANGLE
- ┌┐ COUNTERBORE/SPOTFACE
- ▽ DEPTH

GENERAL NOTES:

ALL FILLETS .06 UNLESS OTHERWISE NOTED. ALL CHAMFERS .02 X 45° UNLESS OTHERWISE NOTED

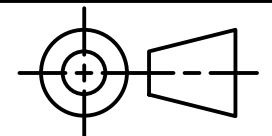


DIGITAL DESIGN
GRAPHICS
TECHNOLOGY

WWW.DDGT.NET



Paul Bell
3D Modeling and Design
paulbell1802@gmail.com
<https://ddgt.net/studentpages/pbell>



TOLERANCES UNLESS SPECIFIED:
DECIMAL INCHES:
X = ±.020
XX = ±.010
XXX = ±.005
FRACTIONAL ±1/64"
ANGLES ±1 DEGREE
SURFACES ³²✓

CLASS: DDGT 241

ASSIGNMENT #: 10

INVENTOR DRAWING NAME:
ROBOTIC ARM

FIG #: 1058

MANAGER: G. STROMNEN

DRAFTER: P. BELL

DATE: 2/3/2026

SCALE: AS NOTED

PAGE #: 2 OF 5

PARTS LIST		
ITEM	QTY	PART NUMBER
1	1	BASE
2	1	ARM E-01
3	1	ARM E-02

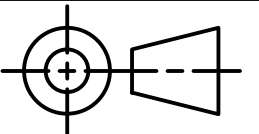


DIGITAL DESIGN
GRAPHICS
TECHNOLOGY

WWW.DDGT.NET



Paul Bell
3D Modeling and Design
paulbell1802@gmail.com
<https://ddgt.net/studentpages/pbell>



TOLERANCES UNLESS SPECIFIED:
DECIMAL INCHES:
X = ±.020
XX = ±.010
XXX = ±.005
FRACTIONAL ±1/64"
ANGLES ±1 DEGREE
SURFACES ³²✓

CLASS: DDGT 241

ASSIGNMENT #: 10

INVENTOR DRAWING NAME:
ROBOTIC ARM

FIG #: 1058

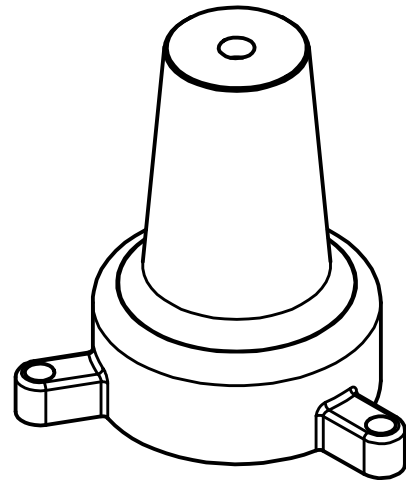
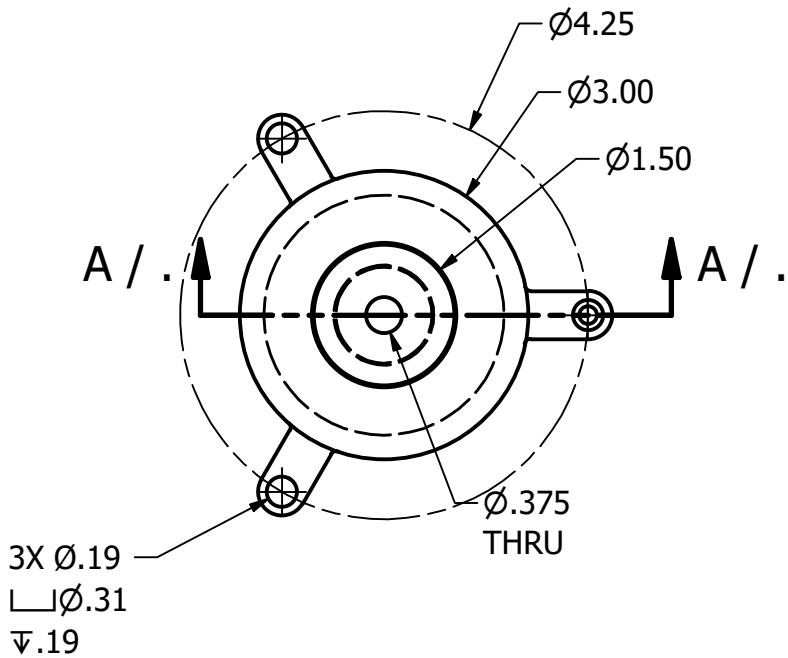
MANAGER: G. STROMNEN

DRAFTER: P. BELL

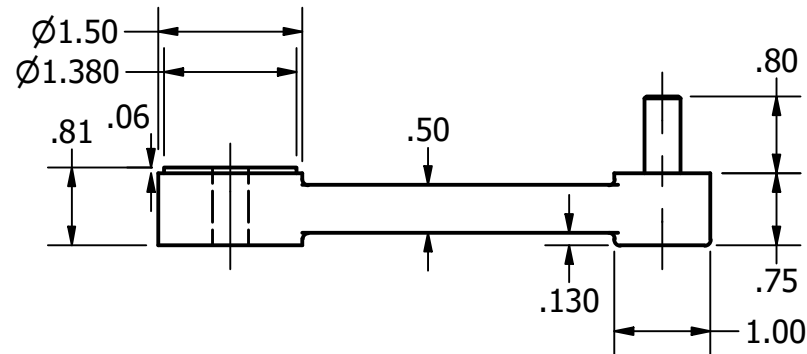
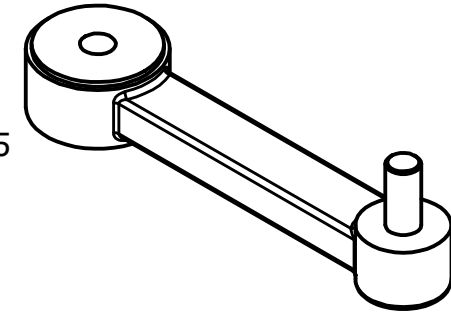
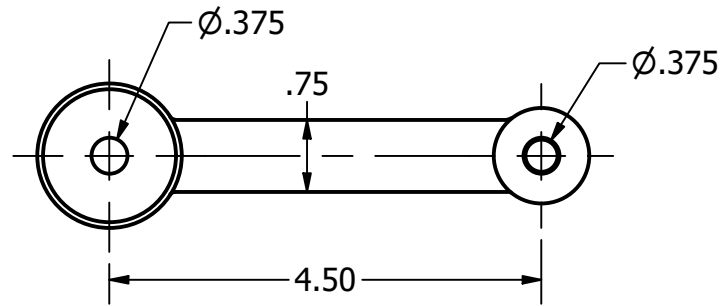
DATE: 2/3/2026

SCALE: AS NOTED

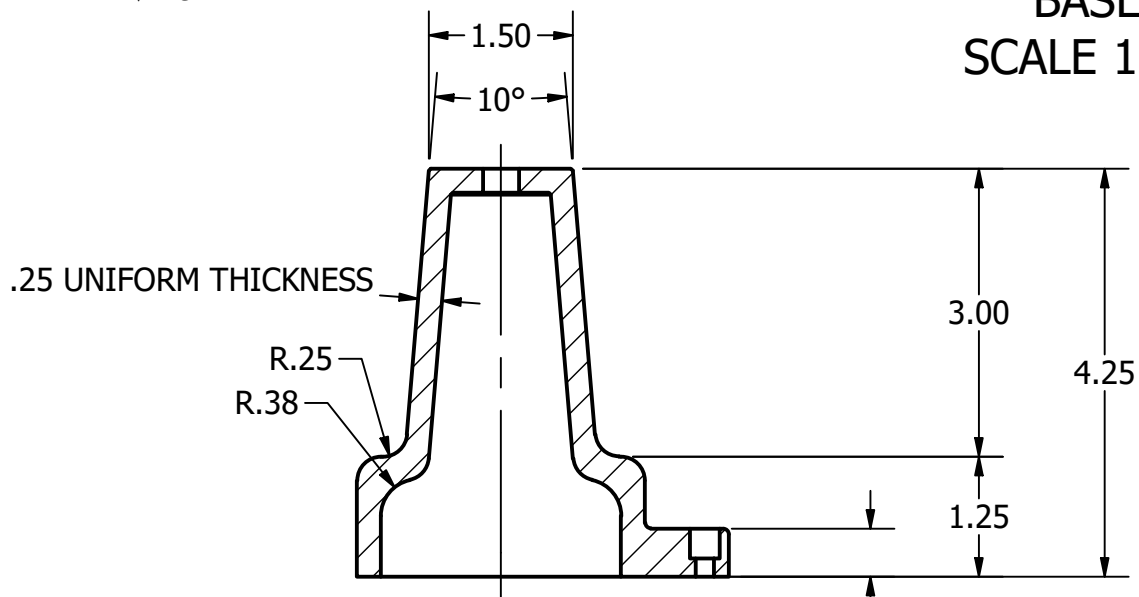
PAGE #: 3 OF 5



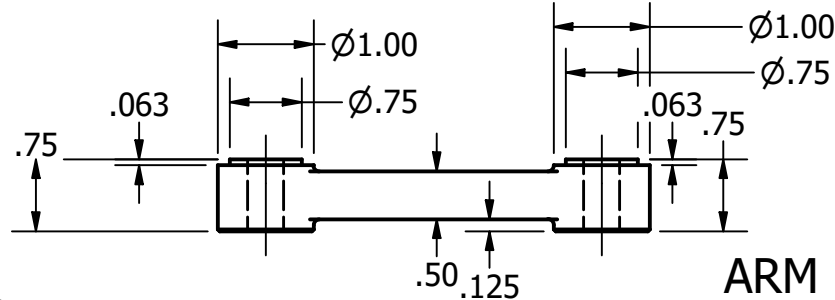
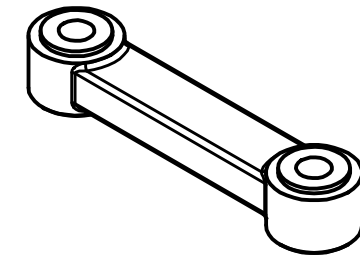
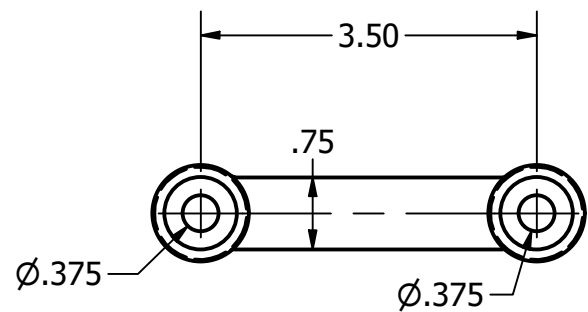
BASE
SCALE 1 / 2



ARM E-01
SCALE 1 / 2



SECTION A-A
SCALE 1 / 2 / .



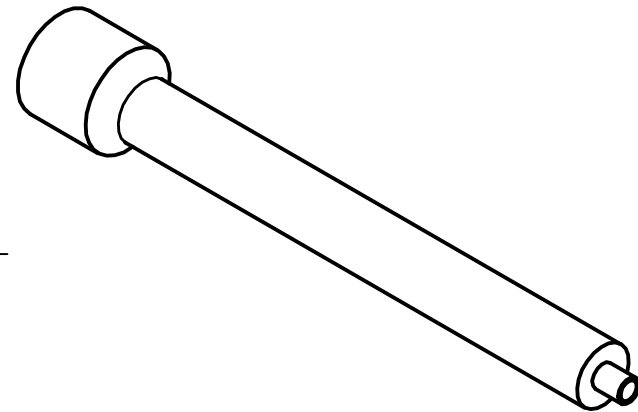
ARM E-02
SCALE 1 / 2

LEGEND:

- Ø DIAMETER
- R RADIUS
- ANGLE
- ┌ COUNTERBORE/SPOTFACE
- ∇ DEPTH

GENERAL NOTES:

ALL FILLETS .06 UNLESS OTHERWISE NOTED. ALL CHAMFERS .02 X 45° UNLESS OTHERWISE NOTED



PARTS LIST		
ITEM	QTY	PART NUMBER
4.1	1	SLIDING TUBE BOTTOM
4.2	1	SLIDING TUBE TOP
5	1	VACUUM CONNECTOR

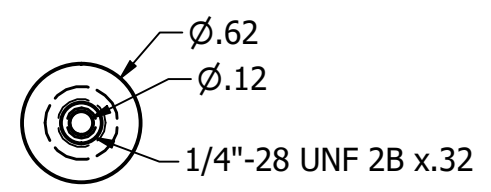
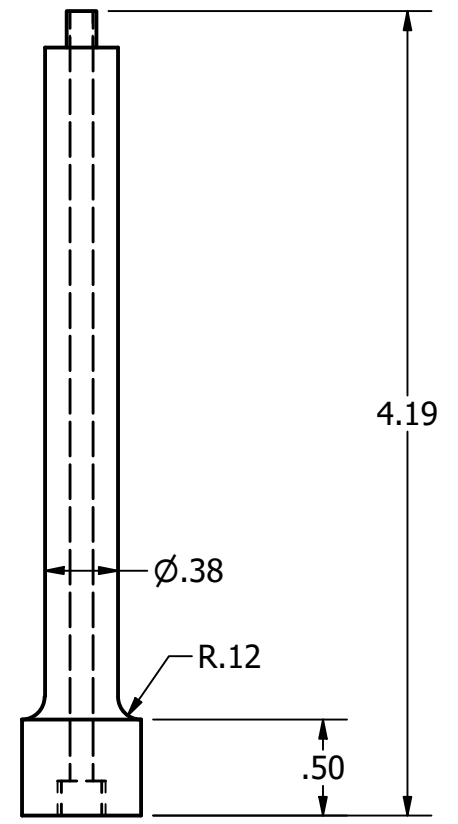


DIGITAL DESIGN
GRAPHICS
TECHNOLOGY

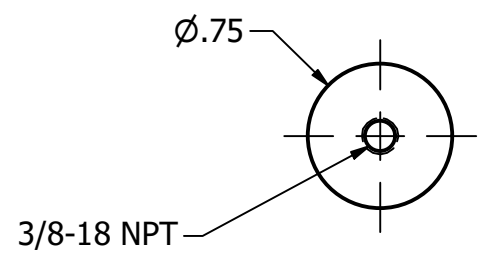
WWW.DDGT.NET



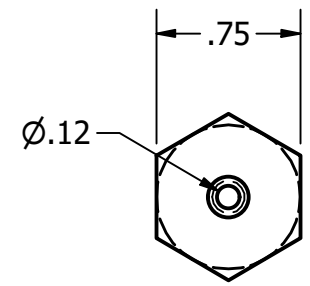
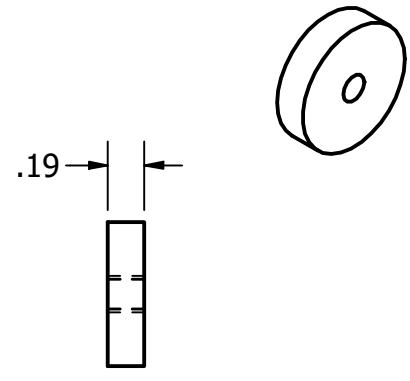
Paul Bell
3D Modeling and Design
paulbell1802@gmail.com
https://ddgt.net/studentpages/pbell



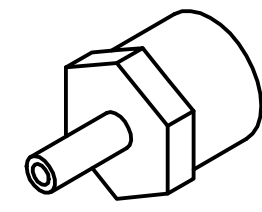
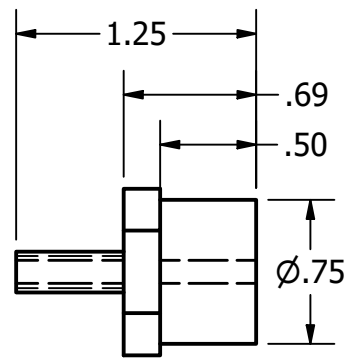
SLIDING TUBE BOTTOM
SCALE 1 : 1



SLIDING TUBE TOP
SCALE 1 : 1

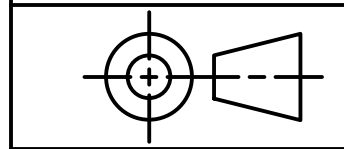


VACUUM CONECTOR
SCALE 1 : 1



LEGEND:

- Ø DIAMETER
- R RADIUS
- ° ANGLE
- COUNTERBORE/SPOTFACE
- ∇ DEPTH



TOLERANCES UNLESS SPECIFIED:
DECIMAL INCHES:
X = ±.020
XX = ±.010
XXX = ±.005
FRACTIONAL ±1/64"
ANGLES ±1 DEGREE
SURFACES ³²✓

CLASS: DDGT 241

ASSIGNMENT #: 10

INVENTOR DRAWING NAME:
ROBOTIC ARM

FIG #: 1058

MANAGER: G. STROMNEN

DRAFTER: P. BELL

DATE: 2/3/2026

SCALE: AS NOTED

PAGE #: 4 OF 5

GENERAL NOTES:

ALL FILLETS .06 UNLESS OTHERWISE NOTED. ALL CHAMFERS .02 X 45° UNLESS OTHERWISE NOTED

PARTS LIST		
ITEM	QTY	PART NUMBER
6	1	VACUUM CUP
7	1	BASE CAP
8	1	ELBOW CAP
9	1	VACUUM CAP

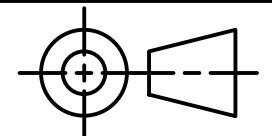


DIGITAL DESIGN
GRAPHICS
TECHNOLOGY

WWW.DDGT.NET



Paul Bell
3D Modeling and Design
paulbell1802@gmail.com
<https://ddgt.net/studentpages/pbell>



TOLERANCES UNLESS SPECIFIED:
DECIMAL INCHES:
X = ±.020
XX = ±.010
XXX = ±.005
FRACTIONAL ±1/64"
ANGLES ±1 DEGREE
SURFACES ³²✓

CLASS: DDGT 241

ASSIGNMENT #: 10

INVENTOR DRAWING NAME:
ROBOTIC ARM

FIG #: 1058

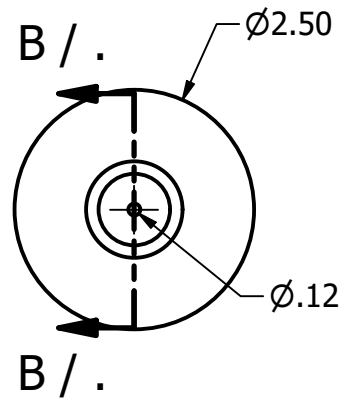
MANAGER: G. STROMNEN

DRAFTER: P. BELL

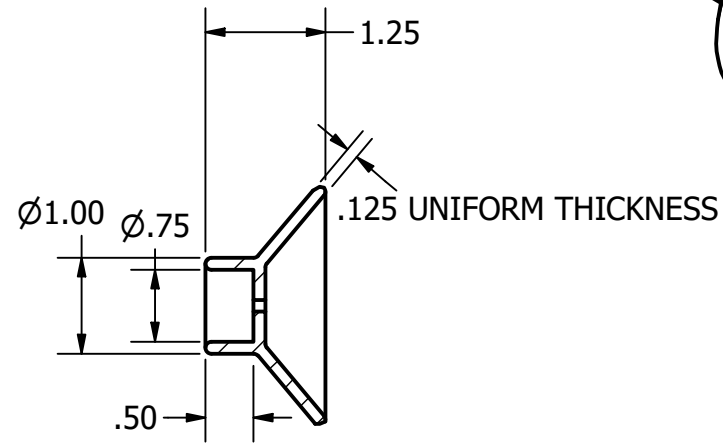
DATE: 2/3/2026

SCALE: AS NOTED

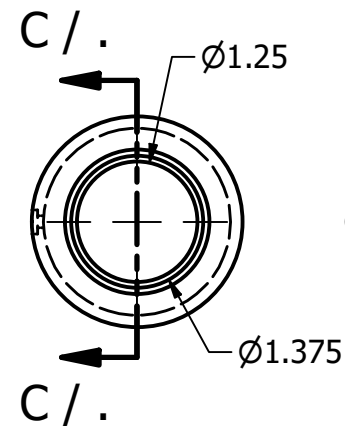
PAGE #: 5 OF 5



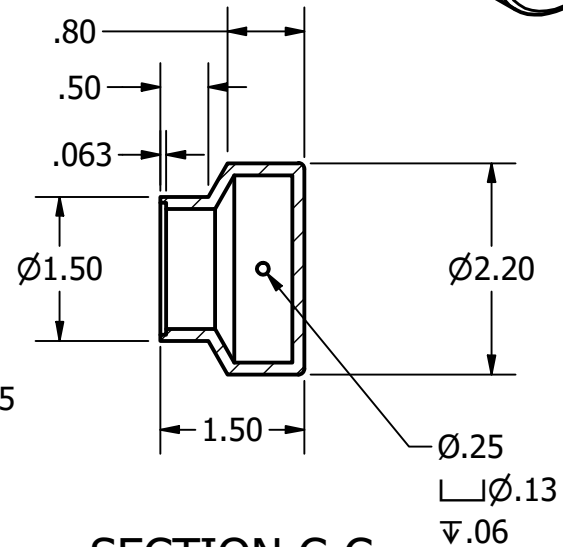
VACUUM CUP
SCALE 1 / 2



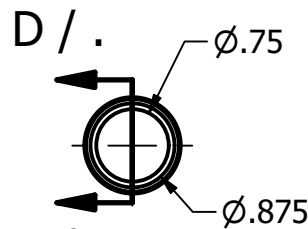
SECTION B-B
SCALE 1 / 2 / .



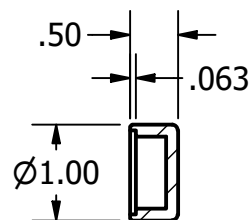
BASE CAP
SCALE 1 / 2



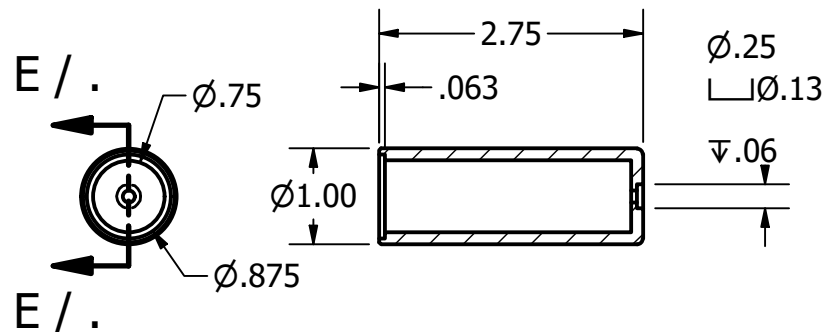
SECTION C-C
SCALE 1 / 2 / .



ELBOW CAP
SCALE 1 / 2



SECTION D-D
SCALE 1 / 2 / .



VACUUM CAP
SCALE 1 / 2

SECTION E-E
SCALE 1 / 2 / .

LEGEND:

- Ø DIAMETER
- R RADIUS
- ° ANGLE
- ┌ COUNTERBORE/SPOTFACE
- ▽ DEPTH

GENERAL NOTES:

ALL FILLETS .06 UNLESS OTHERWISE NOTED. ALL CHAMFERS .02 X 45° UNLESS OTHERWISE NOTED