

PARTS LIST

ITEM	QTY.	PART NAME	MATERIAL	DESCRIPTION
1	1	BASE	ALUMINUM	
2	1	ARM E-01	ALUMINUM	
3	1	ARM E-02	ALUMINUM	
4	1	SLIDING TUBE	STEEL	
4.1	1	SLIDING TUBE BOTTOM	STEEL	
4.2	1	SLIDING TUBE TOP	STEEL	
5	1	VACUUM CONNECTOR	STEEL	
6	1	VACUUM CUP	RUBBER	
7	1	BASE CAP	ALUMINUM	
8	1	ELBOW CAP	ALUMINUM	
9	1	VACUUM CAP	ALUMINUM	
10	3	CAP SCREW	STEEL	

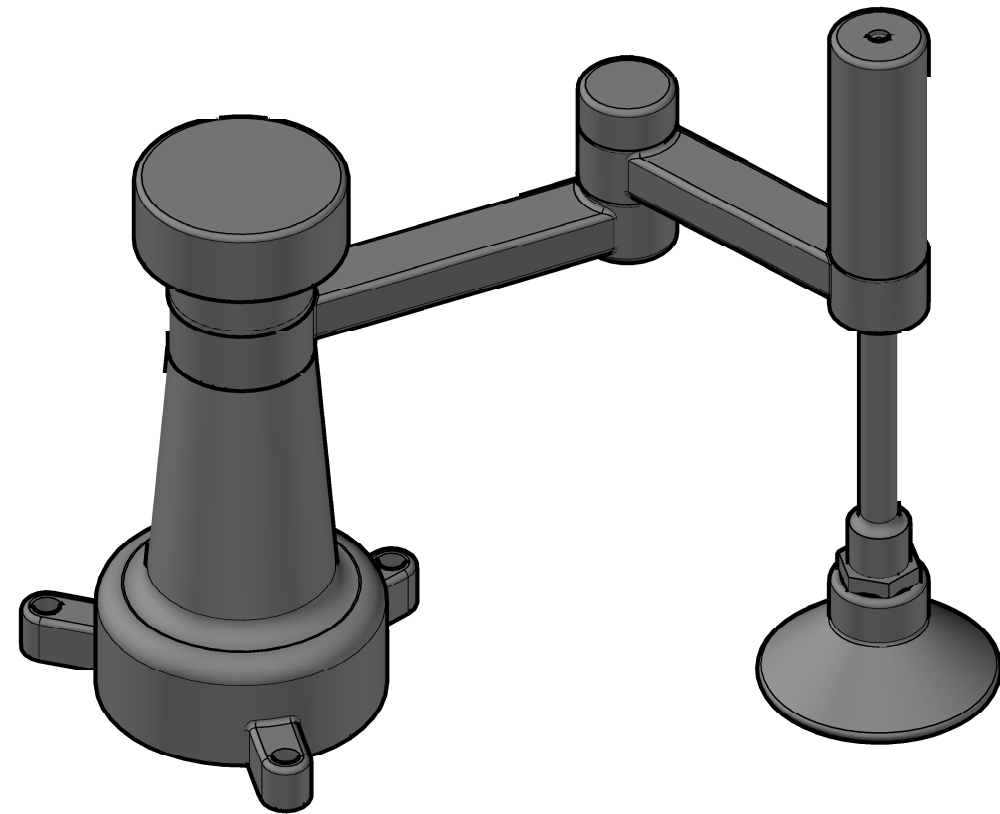


DIGITAL DESIGN
GRAPHICS
TECHNOLOGY

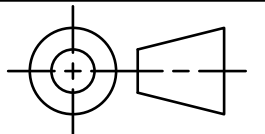
WWW.DDGT.NET

GENERAL NOTES:

ALL FILLETS .06 UNLESS OTHERWISE NOTED.
ALL CHAMFERS .02 X 45° UNLESS OTHERWISE NOTED



ASSEMBLY VIEW
SCALE 1:2



TOLERANCES UNLESS SPECIFIED:
DECIMAL INCHES:
X = ±.020
XX = ±.010
XXX = ±.005
FRACTIONAL ±1/64"
ANGLES ±1 DEGREE
SURFACES 32/

CLASS: DDGT 241

ASSIGNMENT #: 08

AUTOCAD DRAWING NAME:
ROBOTIC ARM

FIG #: 1058

MANAGER: G. STROMMEN

DRAFTER: P. BELL

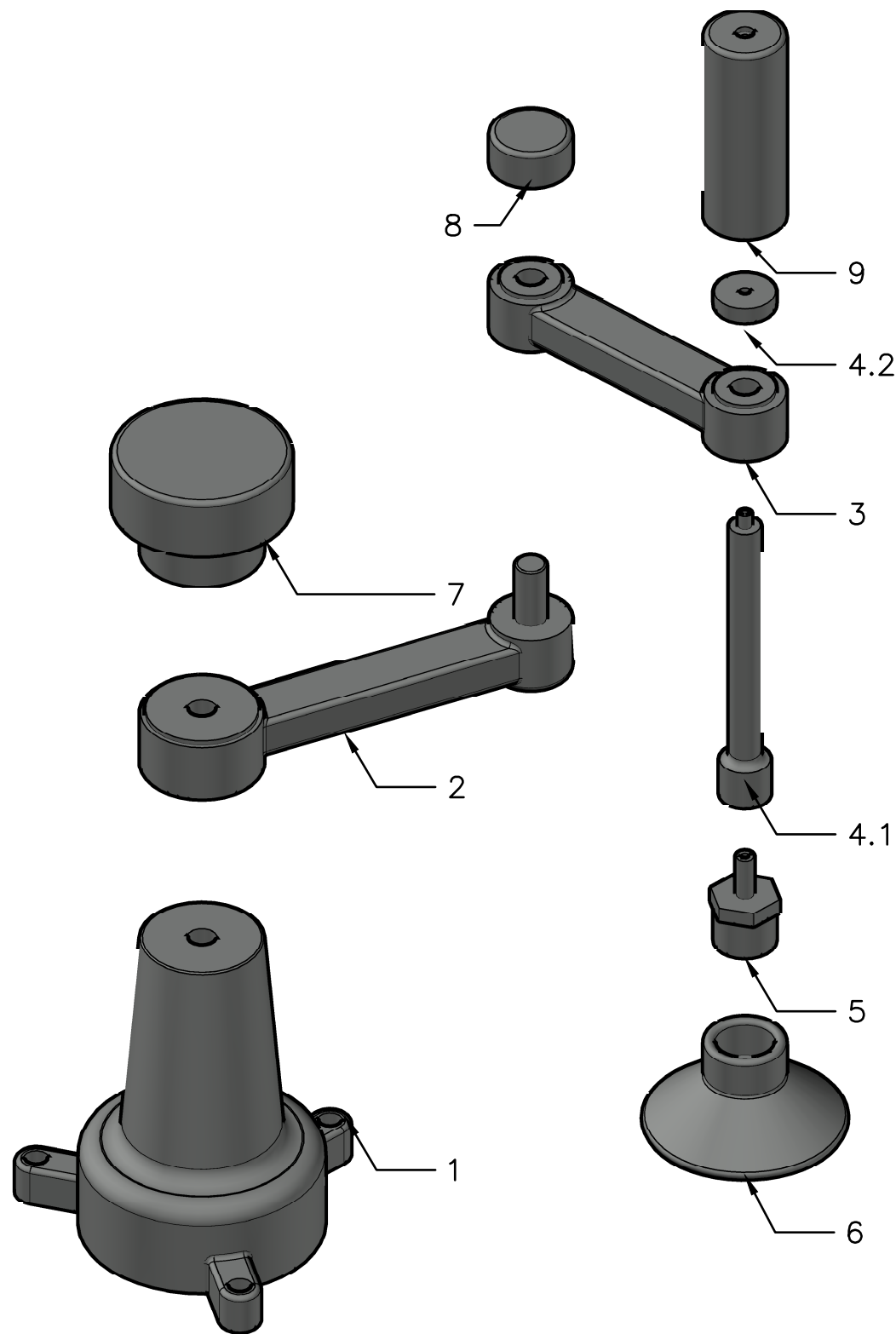
DATE: 3/17/2026

SCALE: AS NOTED

PAGE #: 1 OF 1

LEGEND:

∅ DIAMETER
R RADIUS
• DEGREES
| | SPOTFACE/COUNTERBORE
∇ DEPTH



PARTS LIST

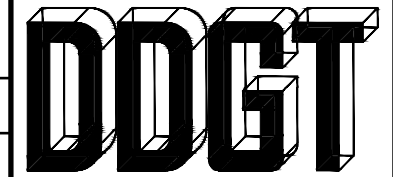
ITEM	QTY.	PART NAME	MATERIAL
1	1	BASE	ALUMINUM
2	1	ARM E-01	ALUMINUM
3	1	ARM E-02	ALUMINUM
4	1	SLIDING TUBE	STEEL
4.1	1	SLIDING TUBE BOTTOM	STEEL
4.2	1	SLIDING TUBE TOP	STEEL
5	1	VACUUM CONNECTOR	STEEL
6	1	VACUUM CUP	RUBBER
7	1	BASE CAP	ALUMINUM
8	1	ELBOW CAP	ALUMINUM
9	1	VACUUM CAP	ALUMINUM
10	3	CAP SCREW	STEEL

GENERAL NOTES:

ALL FILLETS .06 UNLESS OTHERWISE NOTED.
 ALL CHAMFERS .02 X 45° UNLESS OTHERWISE NOTED

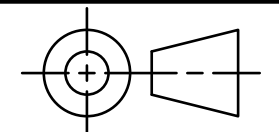
LEGEND:

∅ DIAMETER
 R RADIUS
 ° DEGREES
 | | SPOTFACE/COUNTERBORE
 ∇ DEPTH



DIGITAL DESIGN
 GRAPHICS
 TECHNOLOGY

WWW.DDGT.NET



TOLERANCES UNLESS SPECIFIED:
 DECIMAL INCHES:
 X = ±.020
 XX = ±.010
 XXX = ±.005
 FRACTIONAL ±1/64"
 ANGLES ±1 DEGREE
 SURFACES 32/

CLASS: DDGT 241

ASSIGNMENT #: 08

AUTOCAD DRAWING NAME:
 ROBOTIC ARM

FIG #: 1058

MANAGER: G. STROMMEN

DRAFTER: P. BELL

DATE: 3/17/2026

SCALE: AS NOTED

PAGE #: 2 OF 1

GENERAL NOTES:

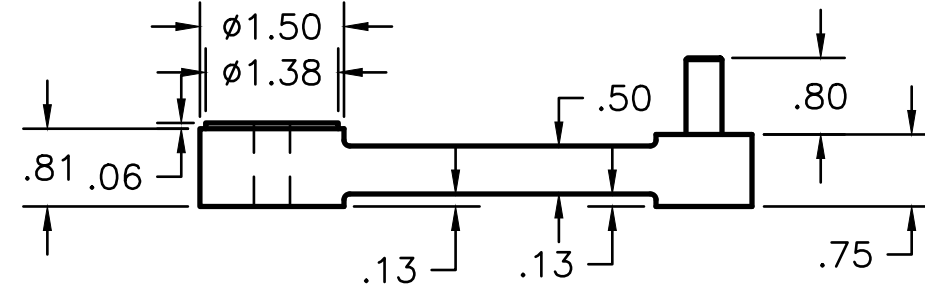
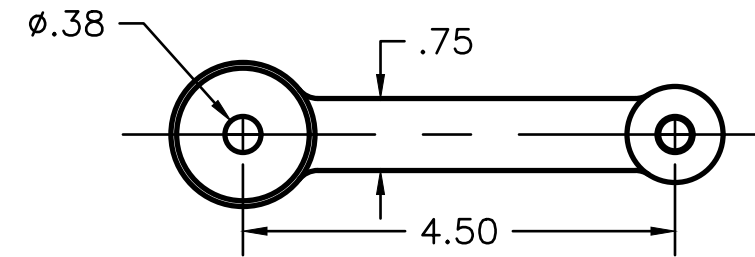
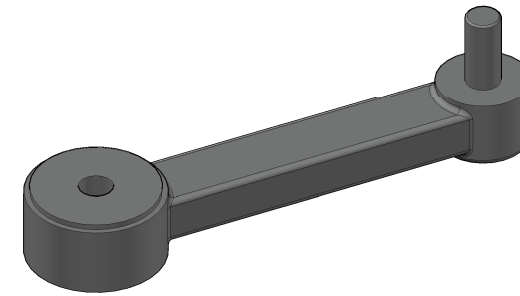
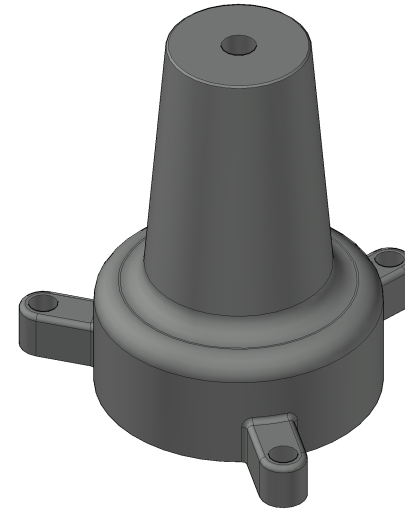
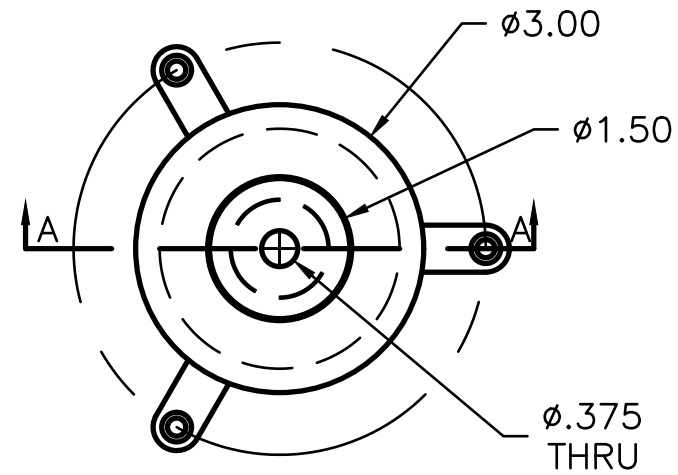
ALL FILLETS .06 UNLESS OTHERWISE NOTED.
 ALL CHAMFERS .02 X 45° UNLESS OTHERWISE NOTED

PARTS LIST		
ITEM	QTY.	PART NAME
1	1	BASE
2	1	ARM E-01

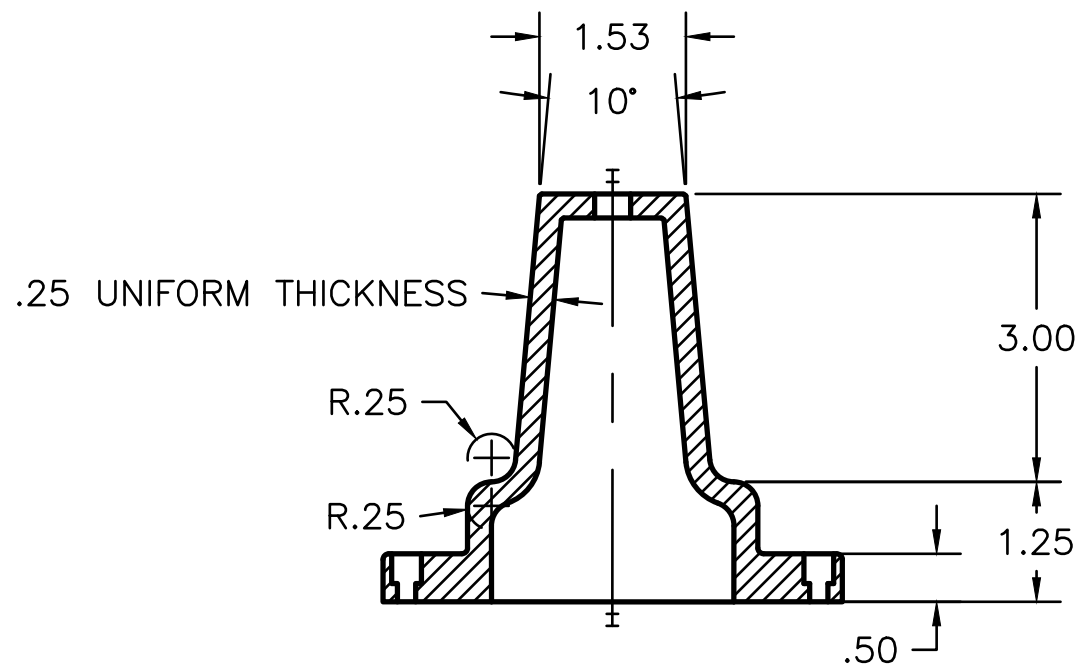


DIGITAL DESIGN
 GRAPHICS
 TECHNOLOGY

WWW.DDGT.NET



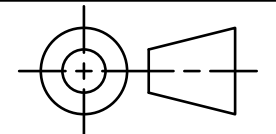
ARM E-01
 SCALE 1:2



BASE
 SCALE 1:2

LEGEND:

- ∅ DIAMETER
- R RADIUS
- DEGREES
- | | SPOTFACE/COUNTERBORE
- ∇ DEPTH



TOLERANCES UNLESS SPECIFIED:
 DECIMAL INCHES:
 X = ±.020
 XX = ±.010
 XXX = ±.005
 FRACTIONAL ±1/64"
 ANGLES ±1 DEGREE
 SURFACES 32/

CLASS: DDGT 241

ASSIGNMENT #: 08

AUTOCAD DRAWING NAME:
 ROBOTIC ARM

FIG #: 1058

MANAGER: G. STROMMEN

DRAFTER: P. BELL

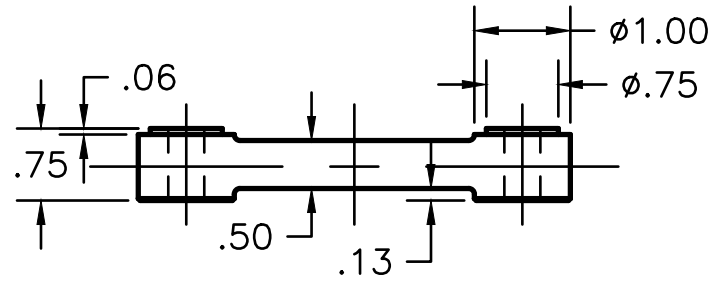
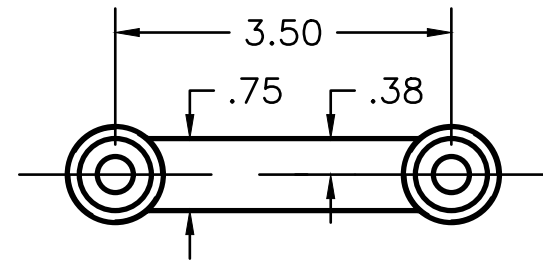
DATE: 3/17/2026

SCALE: AS NOTED

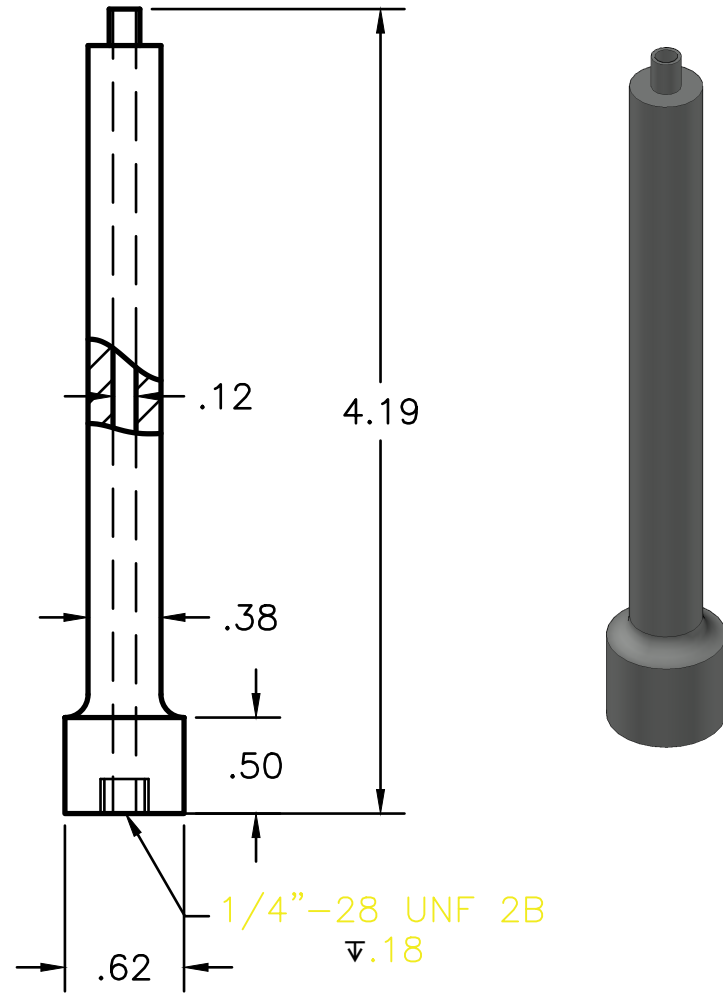
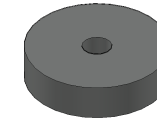
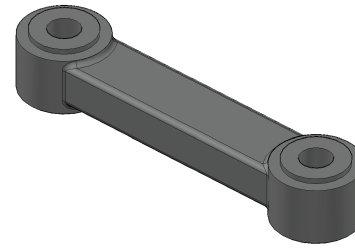
PAGE #: 3 OF 1

GENERAL NOTES:

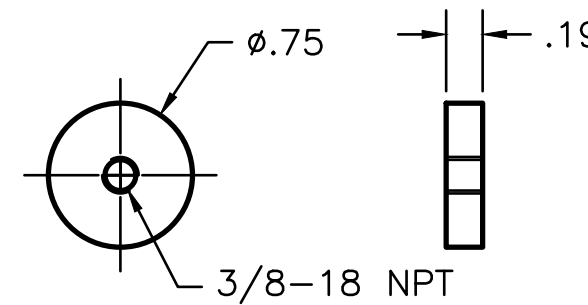
ALL FILLETS .06 UNLESS OTHERWISE NOTED.
 ALL CHAMFERS .02 X 45° UNLESS OTHERWISE NOTED



ARM E-02
SCALE 1:2



SLIDING TUBE BOTTOM
SCALE 1:1



SLIDING TUBE TOP
SCALE 1:1

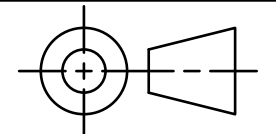
PARTS LIST

ITEM	QTY.	PART NAME
3	1	ARM E-02
4.1	1	SLIDING TUBE BOTTOM
4.1	1	SLIDING TUBE TOP



DIGITAL DESIGN
GRAPHICS
TECHNOLOGY

WWW.DDGT.NET



TOLERANCES UNLESS SPECIFIED:
 DECIMAL INCHES:
 X = ±.020
 XX = ±.010
 XXX = ±.005
 FRACTIONAL ±1/64"
 ANGLES ±1 DEGREE
 SURFACES 32/

CLASS: DDGT 241

ASSIGNMENT #: 08

AUTOCAD DRAWING NAME:
ROBOTIC ARM

FIG #: 1058

MANAGER: G. STROMMEN

DRAFTER: P. BELL

DATE: 3/17/2026

SCALE: AS NOTED

PAGE #: 4 OF 1

LEGEND:

- ∅ DIAMETER
- R RADIUS
- ° DEGREES
- | | SPOTFACE/COUNTERBORE
- ∇ DEPTH

GENERAL NOTES:

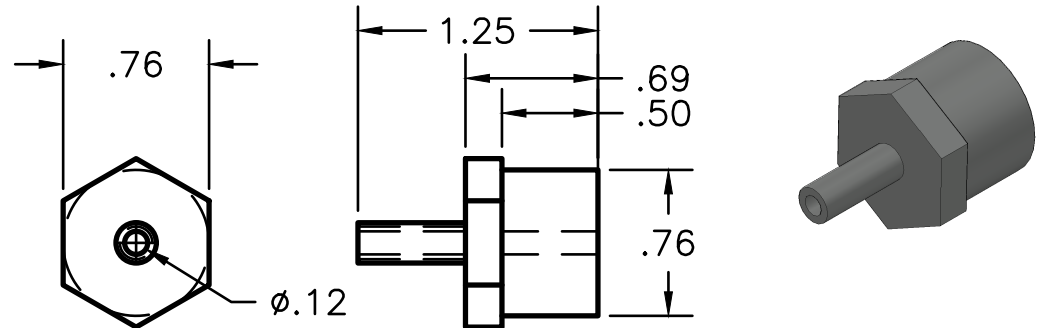
ALL FILLETS .06 UNLESS OTHERWISE NOTED.
 ALL CHAMFERS .02 X 45° UNLESS OTHERWISE NOTED

PARTS LIST		
ITEM	QTY.	PART NAME
5	1	VACUUM CONNECTOR
6	1	VACUUM CUP
7	1	BASE CAP

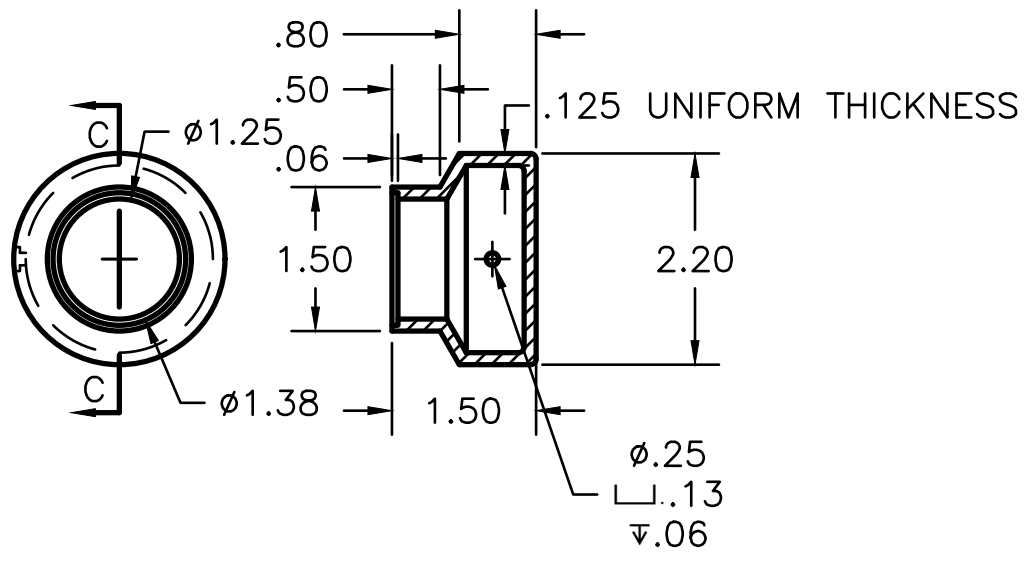
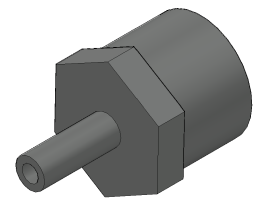


DIGITAL DESIGN
 GRAPHICS
 TECHNOLOGY

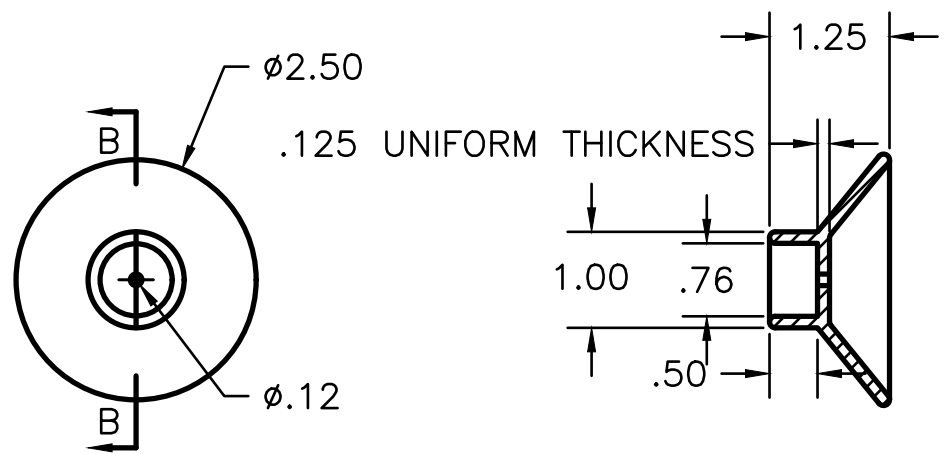
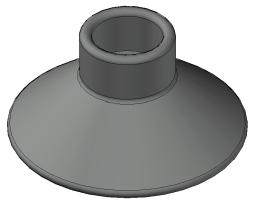
WWW.DDGT.NET



VACUUM CONNECTOR
 SCALE 1:1



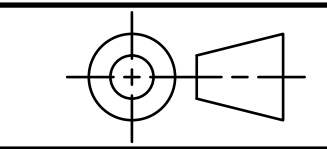
BASE CAP
 SCALE 1:2



VACUUM CUP
 SCALE 1:2

LEGEND:

- ϕ DIAMETER
- R RADIUS
- DEGREES
- | | SPOTFACE/COUNTERBORE
- ∇ DEPTH



TOLERANCES UNLESS SPECIFIED:
 DECIMAL INCHES:
 X = $\pm .020$
 XX = $\pm .010$
 XXX = $\pm .005$
 FRACTIONAL $\pm 1/64$ "
 ANGLES ± 1 DEGREE
 SURFACES 32

CLASS: DDGT 241

ASSIGNMENT #: 08

AUTOCAD DRAWING NAME:
 ROBOTIC ARM

FIG #: 1058

MANAGER: G. STROMMEN

DRAFTER: P. BELL

DATE: 3/17/2026

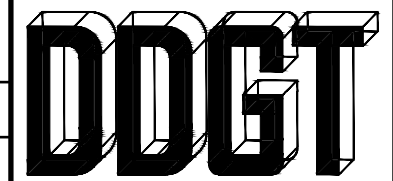
SCALE: AS NOTED

PAGE #: 5 OF 1

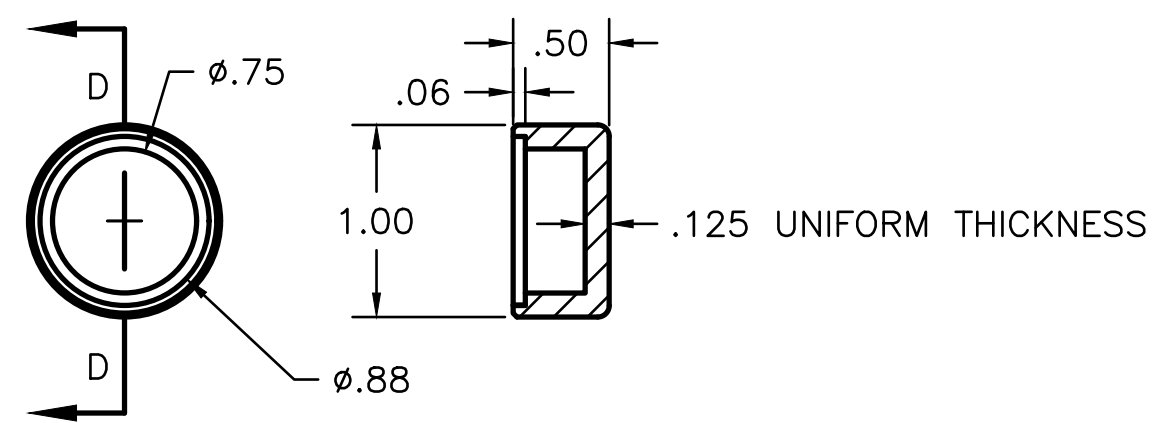
GENERAL NOTES:

ALL FILLETS .06 UNLESS OTHERWISE NOTED.
 ALL CHAMFERS .02 X 45° UNLESS OTHERWISE NOTED

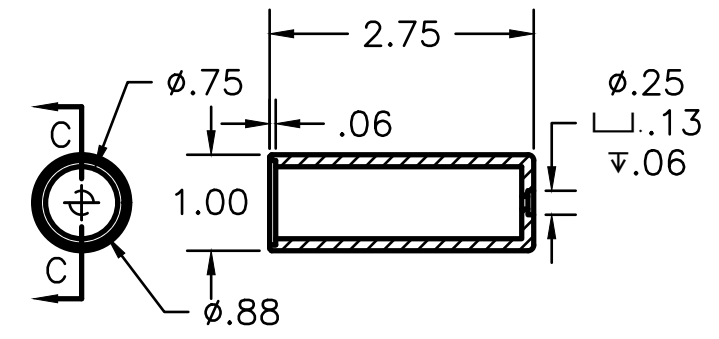
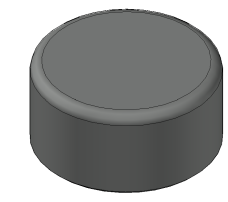
PARTS LIST		
ITEM	QTY.	PART NAME
8	1	ELBOW CAP
9	1	VACUUM CAP



DIGITAL DESIGN
 GRAPHICS
 TECHNOLOGY
 WWW.DDGT.NET



ELBOW CAP
 SCALE 1:1

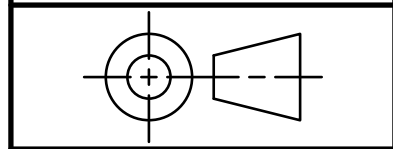


VACUUM CAP
 SCALE 1:2



LEGEND:

- ∅ DIAMETER
- R RADIUS
- ° DEGREES
- | | SPOTFACE/COUNTERBORE
- ▽ DEPTH



TOLERANCES UNLESS SPECIFIED:
 DECIMAL INCHES:
 X = ±.020
 XX = ±.010
 XXX = ±.005
 FRACTIONAL ±1/64"
 ANGLES ±1 DEGREE
 SURFACES 32/

CLASS: DDGT 241

ASSIGNMENT #: 08

AUTOCAD DRAWING NAME:
 ROBOTIC ARM

FIG #: 1058

MANAGER: G. STROMMEN

DRAFTER: P. BELL

DATE: 3/17/2026

SCALE: AS NOTED

PAGE #: 6 OF 1