



WHEEL ASSEMBLY
SCALE 1:2

GENERAL NOTES:

ALL FILLETS HAVE R.125" UNLESS OTHERWISE NOTED
ALL CHAMFERS ARE .06" X 45° UNLESS OTHERWISE NOTED



WHEEL ASSEMBLY (ALT VIEW)
SCALE 1:2

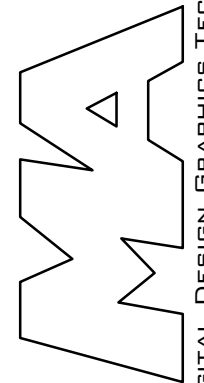
PARTS LIST

ITEM	QTY.	PART NAME	MATERIAL	DESCRIPTION
1	1	AXLE	STEEL	
2	1	BUSHING	BRONZE	OILLESS
3	1	HUB	ALUMINUM	
4	1	COLLAR	ALUMINUM	
5	2	PANEL RING	ALUMINUM	.12" UNIFORM THICKNESS
6	1	WHEEL	HARD RUBBER	
7	6	RIVETS	STANDARD	ø.31", 1.00' INSIDE LENGTH
8	2	WASHERS	STANDARD	I.D. ø1.00", O.D. ø2.12", .18" THICK
9	1	SPRING PIN	STANDARD	ø.25", 1.875" LONG



DIGITAL DESIGN
GRAPHICS
TECHNOLOGY

WWW.DDGT.NET

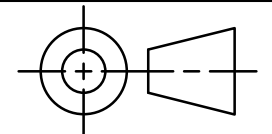


DIGITAL DESIGN GRAPHICS TECHNOLOGY

MARK ALCANTARA

707-342-5992

MARKHALCANTARA@GMAIL.COM



TOLERANCES UNLESS SPECIFIED:
DECIMAL INCHES:
X = ±.020
XX = ±.010
XXX = ±.005
FRACTIONAL ±1/64"
ANGLES ±1 DEGREE
SURFACES ³²/_√

CLASS: DDGT121

ASSIGNMENT #: 08

AUTOCAD DRAWING NAME:
WHEEL ASSEMBLY

FIG #: 11-55

MANAGER: G. STROMMEN

DRAFTER: M. ALCANTARA

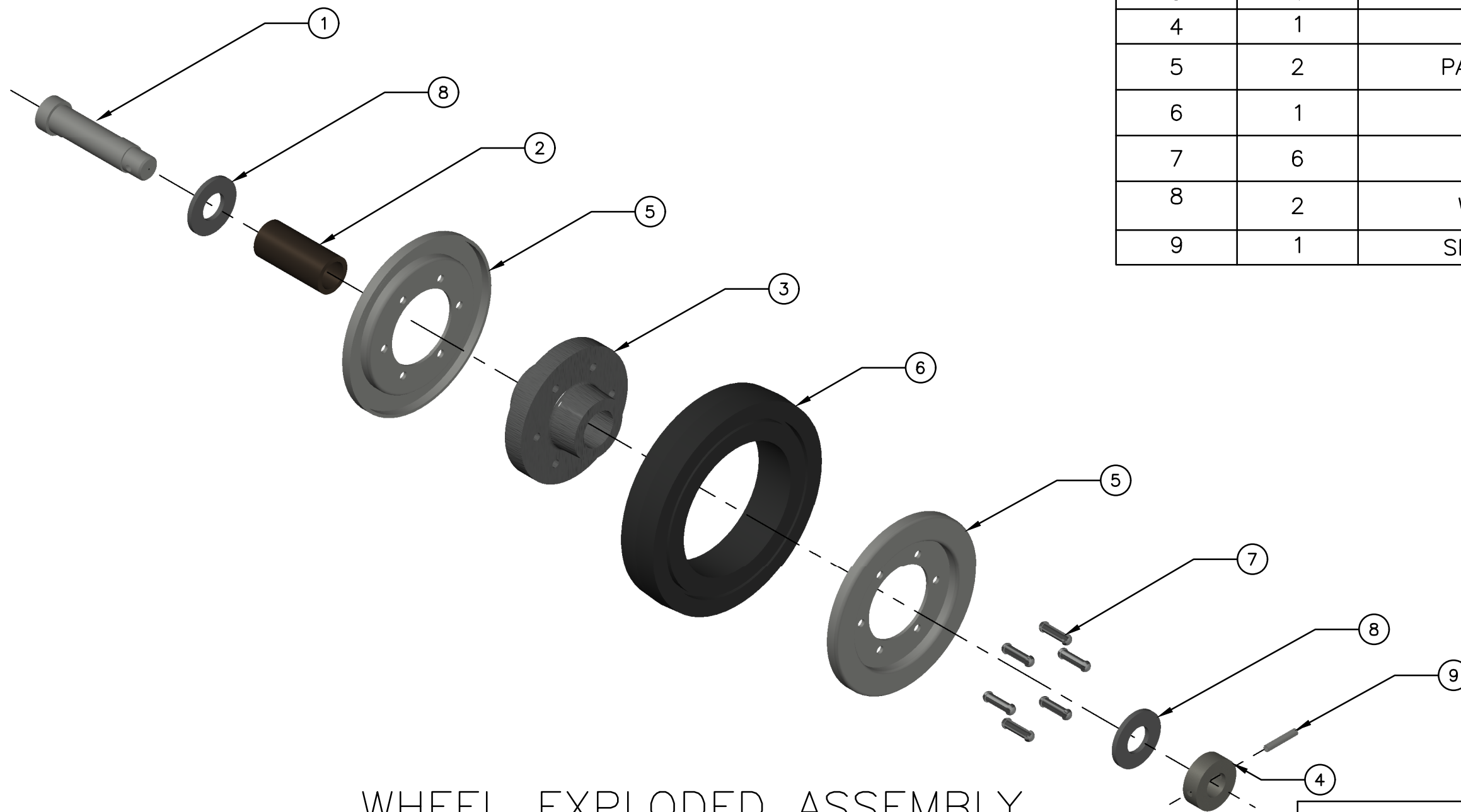
DATE: 2/20/2026

SCALE: AS NOTED

PAGE #: 1 OF 3

LEGEND

SYMBOL	DESCRIPTION
ø	DIAMETER
R	RADIUS
°	DEGREES



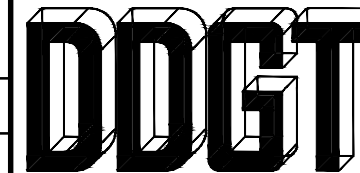
WHEEL EXPLODED ASSEMBLY
SCALE 1:4

GENERAL NOTES:

ALL FILLETS HAVE R.125" UNLESS OTHERWISE NOTED
ALL CHAMFERS ARE .06" X 45° UNLESS OTHERWISE NOTED

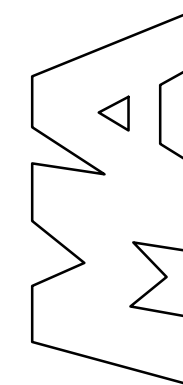
PARTS LIST

ITEM	QTY.	PART NAME
1	1	AXLE
2	1	BUSHING
3	1	HUB
4	1	COLLAR
5	2	PANEL RING
6	1	WHEEL
7	6	RIVETS
8	2	WASHERS
9	1	SPRING PIN

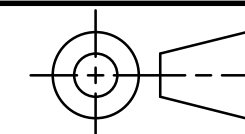


DIGITAL DESIGN
GRAPHICS
TECHNOLOGY

WWW.DDGT.NET



DIGITAL DESIGN GRAPHICS TECHNOLOGY
MARK ALCANTARA
707-342-5992
MARKHALCANTARA@GMAIL.COM



TOLERANCES UNLESS SPECIFIED:
DECIMAL INCHES:
X = ±.020
XX = ±.010
XXX = ±.005
FRACTIONAL ±1/64"
ANGLES ±1 DEGREE
SURFACES 32/

CLASS: DDGT121

ASSIGNMENT #: 08

AUTOCAD DRAWING NAME:
WHEEL ASSEMBLY

FIG #: 11-55

MANAGER: G. STROMMEN

DRAFTER: M. ALCANTARA

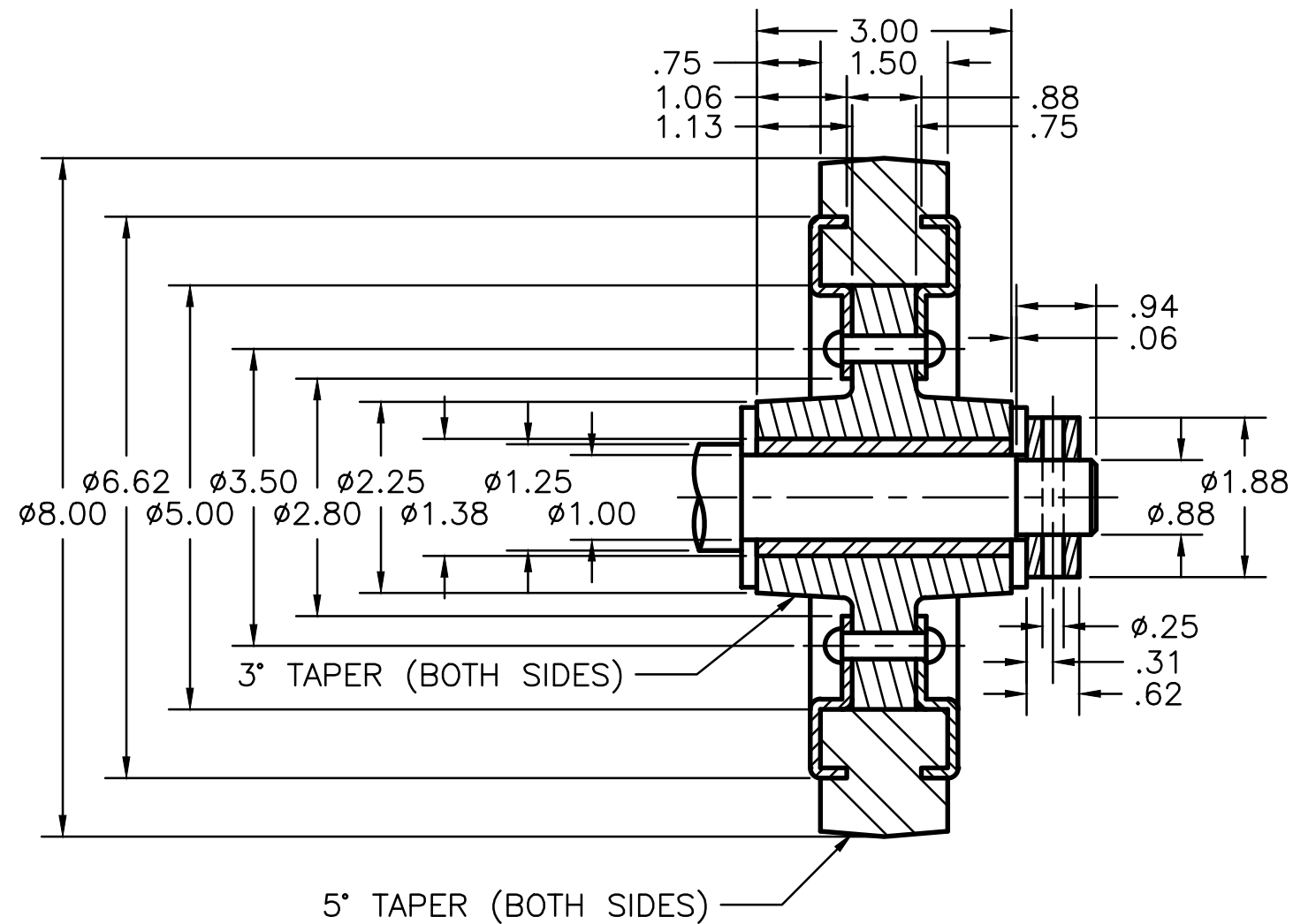
DATE: 2/20/2026

SCALE: AS NOTED

PAGE #: 1 OF 3

LEGEND

SYMBOL	DESCRIPTION
∅	DIAMETER
R	RADIUS
°	DEGREES



GENERAL NOTES:

ALL FILLETS HAVE R.125" UNLESS OTHERWISE NOTED
 ALL CHAMFERS ARE .06" X 45° UNLESS OTHERWISE NOTED

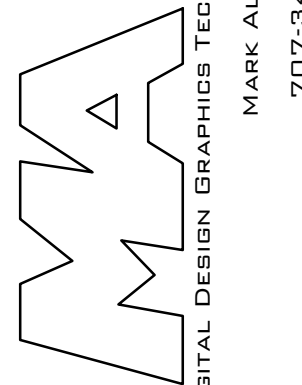
PARTS LIST

ITEM	QTY.	PART NAME
1	1	AXLE
2	1	BUSHING
3	1	HUB
4	1	COLLAR
5	2	PANEL RING
6	1	WHEEL
7	6	RIVETS
8	2	WASHERS
9	1	SPRING PIN

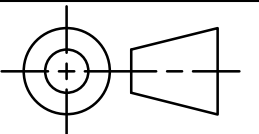


DIGITAL DESIGN
 GRAPHICS
 TECHNOLOGY

WWW.DDGT.NET



DIGITAL DESIGN GRAPHICS TECHNOLOGY
 MARK ALCANTARA
 707-342-5992
 MARKHALCANTARA@GMAIL.COM



TOLERANCES UNLESS SPECIFIED:
 DECIMAL INCHES:
 X = ±.020
 XX = ±.010
 XXX = ±.005
 FRACTIONAL ±1/64"
 ANGLES ±1 DEGREE
 SURFACES $\sqrt{32}$

CLASS: DDGT121

ASSIGNMENT #: 08

AUTOCAD DRAWING NAME:
 WHEEL ASSEMBLY

FIG #: 11-55

MANAGER: G. STROMMEN

DRAFTER: M. ALCANTARA

DATE: 2/20/2026

SCALE: AS NOTED

PAGE #: X OF 3

LEGEND

SYMBOL	DESCRIPTION
ø	DIAMETER
R	RADIUS
°	DEGREES