



WHEEL ASSEMBLY
SCALE 1:2



WHEEL ASSEMBLY
(ALT VIEW)
SCALE 1:2

PARTS LIST

ITEM	QTY.	PART NAME	MATERIAL	DESCRIPTION
1	1	AXLE	STEEL	
2	1	BUSHING	BRONZE	OILLESS
3	1	HUB	ALUMINUM	
4	1	COLLAR	ALUMINUM	
5	2	PANEL RING	ALUMINUM	.12" UNIFORM THICKNESS
6	1	WHEEL	HARD RUBBER	
7	6	RIVETS	STANDARD	Ø.31, 1.00" INSIDE LENGTH, EQUALLY SPACED
8	2	WASHERS	STANDARD	I.D. Ø1.00", O.D. Ø2.12", .18" THICK
9	1	SPRING PIN	STANDARD	Ø.25, 1.875" LONG



DIGITAL DESIGN
GRAPHICS
TECHNOLOGY

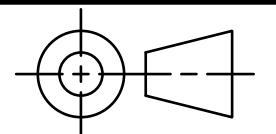
WWW.DDGT.NET

GENERAL NOTES:
ALL FILLETS HAVE R.12" UNLESS OTHERWISE NOTED
ALL CHAMFERS ARE .06" X 45° UNLESS OTHERWISE NOTED

LEGEND	
SYMBOL	DESCRIPTION
Ø	DIAMETER
R	RADIUS
°	DEGREES

REV #	DATE	DESCRIPTION	APPROVED BY	PAGE #
3	1/16/2026	INSIDE DIAMETER OF PANEL RING CHANGED FROM Ø2.80" TO Ø2.70"	G. STROMMEN	3
2	1/16/2026	CENTER LINE DIAMTER FOR RIVET PATTERN CHANGED FROM Ø3.50" TO Ø3.94	G. STROMMEN	3
1	1/16/2026	TAPER ANGLE ON WHEEL CHANGED FROM 5° TO 3.5°	G. STROMMEN	3

REVISION TABLE



TOLERANCES UNLESS SPECIFIED:
DECIMAL INCHES:
X = ±.020
XX = ±.010
XXX = ±.005
FRACTIONAL ±1/64"
ANGLES ±1 DEGREE
SURFACES 32/

CLASS: DDGT-121

ASSIGNMENT #: 09

AUTOCAD DRAWING NAME:
WHEEL ASSEMBLY

FIG #: 11-55

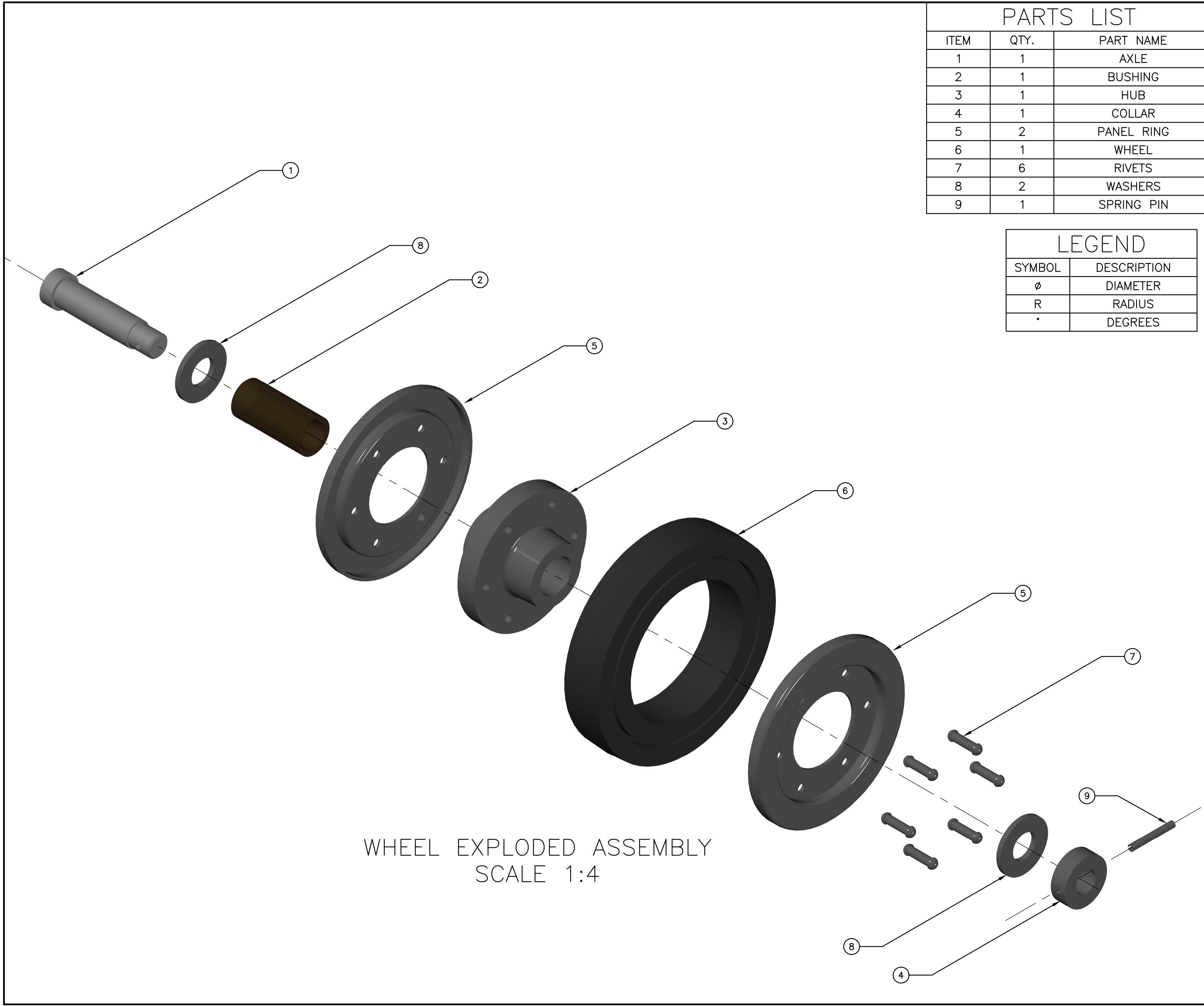
MANAGER: G. STROMMEN

DRAFTER: L. MELBY

DATE: 1/28/2026

SCALE: AS NOTED

PAGE #: 1 OF 3



WHEEL EXPLODED ASSEMBLY
SCALE 1:4

PARTS LIST

ITEM	QTY.	PART NAME
1	1	AXLE
2	1	BUSHING
3	1	HUB
4	1	COLLAR
5	2	PANEL RING
6	1	WHEEL
7	6	RIVETS
8	2	WASHERS
9	1	SPRING PIN

LEGEND

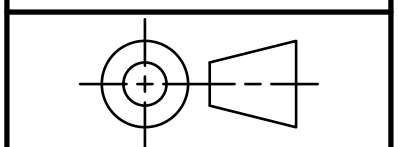
SYMBOL	DESCRIPTION
∅	DIAMETER
R	RADIUS
°	DEGREES



DIGITAL DESIGN
GRAPHICS
TECHNOLOGY

WWW.DDGT.NET

GENERAL NOTES:
ALL FILLETS HAVE
R.12" UNLESS
OTHERWISE NOTED
ALL CHAMFERS ARE
.06" X 45° UNLESS
OTHERWISE NOTED



TOLERANCES UNLESS SPECIFIED:
DECIMAL INCHES:
X = ±.020
XX = ±.010
XXX = ±.005
FRACTIONAL ±1/64"
ANGLES ±1 DEGREE
SURFACES 32/

CLASS: DDGT-121

ASSIGNMENT #: 09

AUTOCAD DRAWING NAME:
WHEEL ASSEMBLY

FIG #: 11-55

MANAGER: G. STROMMEN

DRAFTER: L. MELBY

DATE: 1/28/2026

SCALE: AS NOTED

PAGE #: 2 OF 3



DIGITAL DESIGN
GRAPHICS
TECHNOLOGY

WWW.DDGT.NET

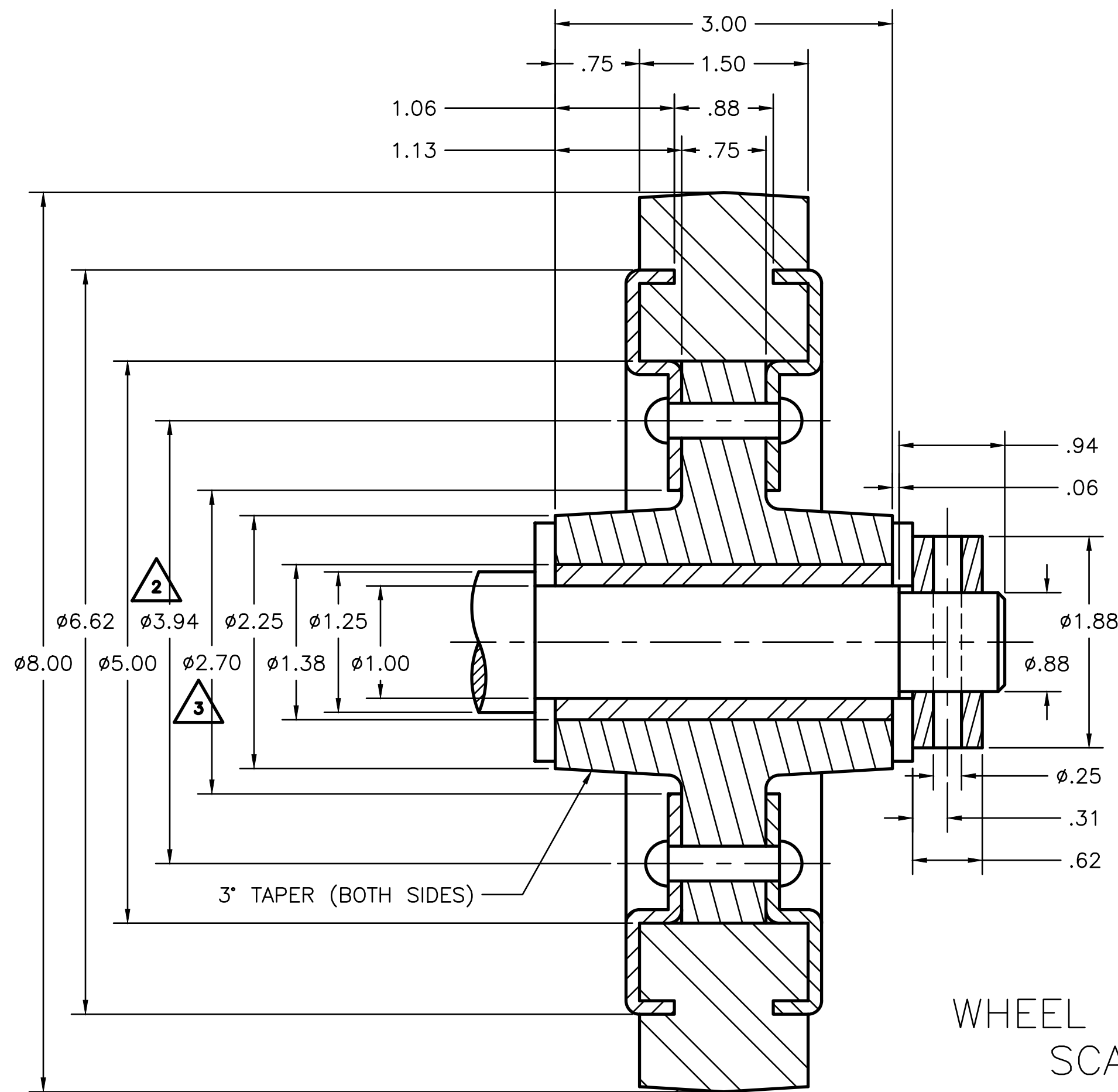
GENERAL NOTES:
ALL FILLETS HAVE
R.12" UNLESS
OTHERWISE NOTED
ALL CHAMFERS ARE
.06" X 45° UNLESS
OTHERWISE NOTED

PARTS LIST

ITEM	QTY.	PART NAME
1	1	AXLE
2	1	BUSHING
3	1	HUB
4	1	COLLAR
5	2	PANEL RING
6	1	WHEEL
7	6	RIVETS
8	2	WASHERS
9	1	SPRING PIN

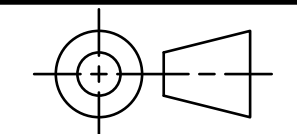
LEGEND

SYMBOL	DESCRIPTION
∅	DIAMETER
R	RADIUS
°	DEGREES



WHEEL DETAIL VIEW
SCALE 1:2

3.5° TAPER (BOTH SIDES)



TOLERANCES UNLESS SPECIFIED:
DECIMAL INCHES:
X = ±.020
XX = ±.010
XXX = ±.005
FRACTIONAL ±1/64"
ANGLES ±1 DEGREE
SURFACES 32/

CLASS: DDGT-121

ASSIGNMENT #: 09

AUTOCAD DRAWING NAME:
WHEEL ASSEMBLY

FIG #: 11-55

MANAGER: G. STROMMEN

DRAFTER: L. MELBY

DATE: 1/28/2026

SCALE: AS NOTED

PAGE #: 3 OF 3

REV #	DATE	DESCRIPTION	APPROVED BY
3	1/16/2026	INSIDE DIAMETER OF PANEL RING CHANGED FROM ∅2.80" TO ∅2.70"	G. STROMMEN
2	1/16/2026	CENTER LINE DIAMETER FOR RIVET PATTERN CHANGED FROM ∅3.50" TO ∅3.94	G. STROMMEN
1	1/16/2026	TAPER ANGLE ON WHEEL CHANGED FROM 5° TO 3.5°	G. STROMMEN

REVISION TABLE