

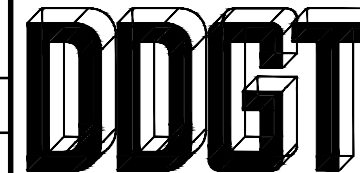
### GENERAL NOTES:

FASTEN ASSEMBLY TO A 6mm STEEL PLATE BY FOUR M10 X 40mm LONG HEX HEAD BOLTS, NUTS, AND LOCK WASHERS.

ROUNDS AND FILLETS ARE 3

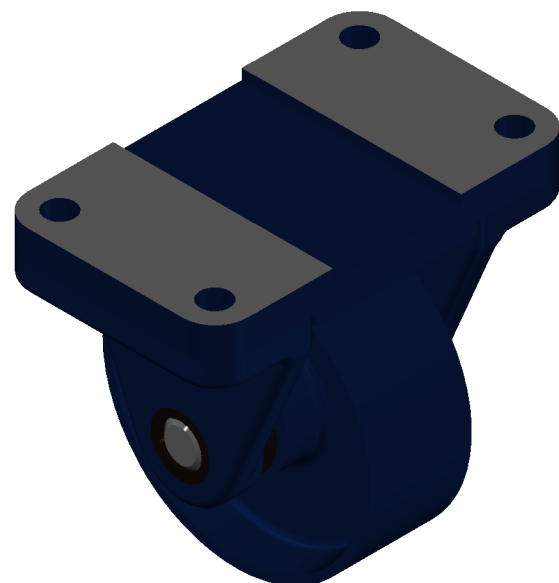
### PARTS LIST

ITEM	QTY.	PART NAME	MATERIAL
1	1	TOP PLATE	MALLEABLE IRON
2	1	WHEEL	MALLEABLE IRON
3	2	AXLE SUPPORT	MALLEABLE IRON
4	1	AXLE	SAE 1020
5	2	BUSHING	BRONZE

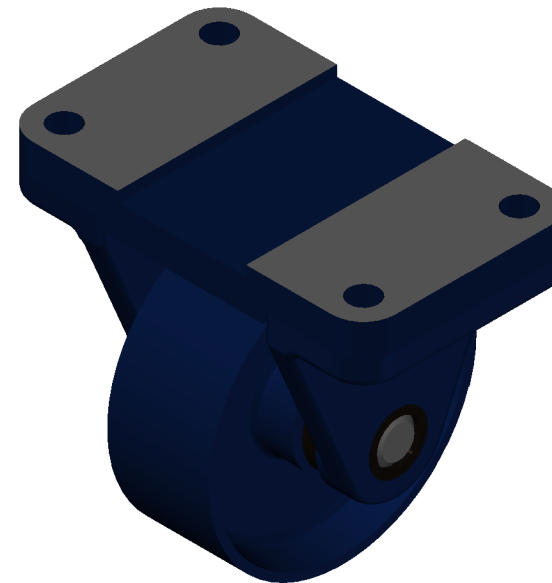


DIGITAL DESIGN  
GRAPHICS  
TECHNOLOGY

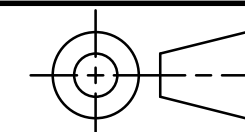
WWW.DDGT.NET



CASTER ASSEMBLY  
SCALE 1:2



CASTER ASSEMBLY  
ALTERNATE VIEW  
SCALE 1:2



TOLERANCES UNLESS SPECIFIED:  
MILLIMETERS = ±.5  
X = ±.25  
XX = ±.12

FRACTIONAL ±1/64"  
ANGLES ±1 DEGREE  
SURFACES 32/

CLASS: DDGT-120

ASSIGNMENT #: 60

AUTOCAD DRAWING NAME:  
CASTER ASSEMBLY

FIG #: 9-51

MANAGER: G. STROMMEN

DRAFTER: L. MELBY

DATE: November 12, 2025

SCALE: AS NOTED

PAGE #: 1 OF 4

### LEGEND

SYMBOL	DESCRIPTION
∅	DIAMETER
R	RADIUS
°	DEGREES
	COUNTERBORE / SPOTFACE

METRIC

# GENERAL NOTES:

FASTEN ASSEMBLY TO A 6mm STEEL PLATE BY FOUR M10 X 40mm LONG HEX HEAD BOLTS, NUTS, AND LOCK WASHERS.

ROUNDS AND FILLETS ARE 3

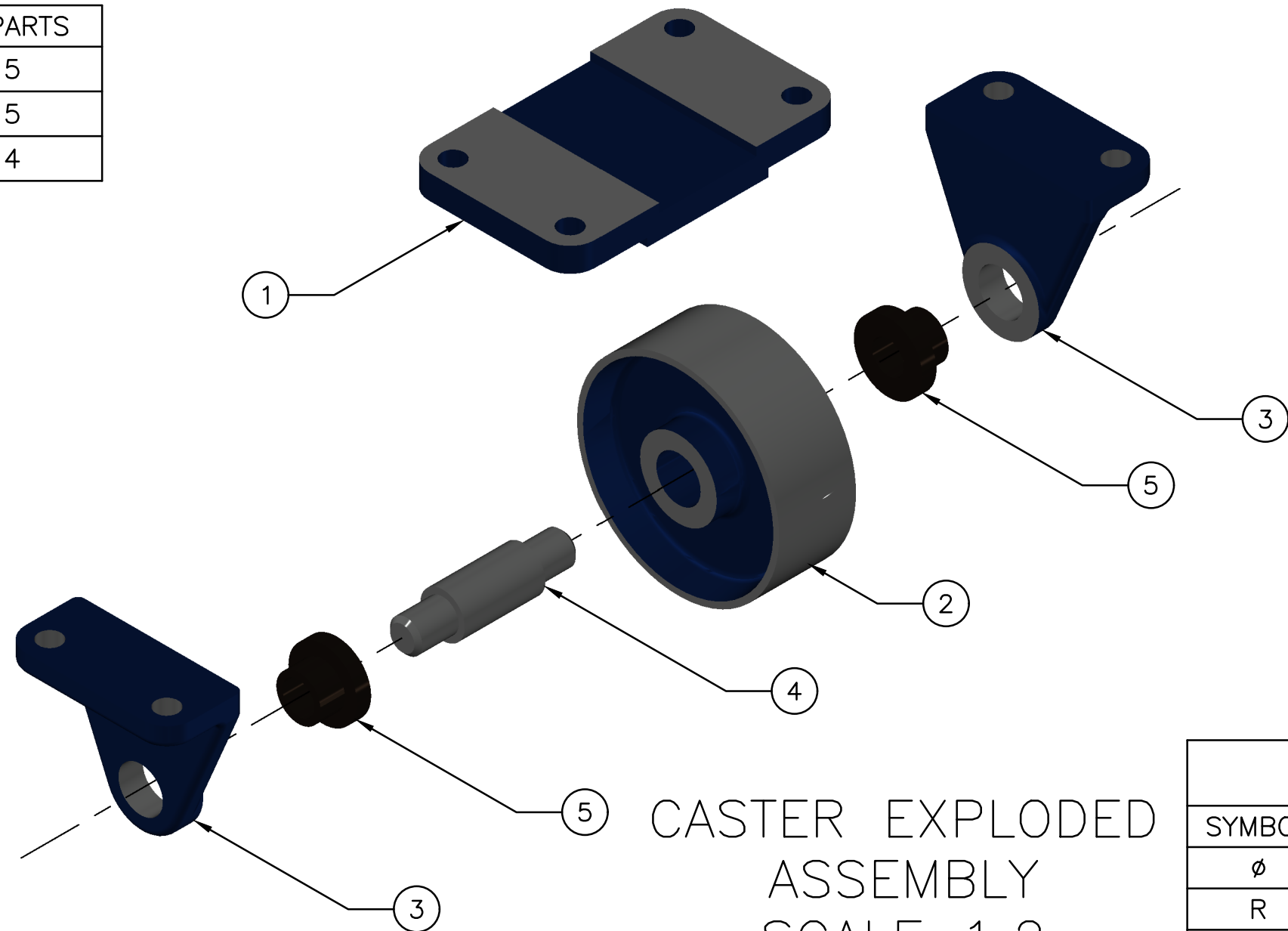
FIT	BETWEEN PARTS
H8/f7	4 AND 5
H7/p6	3 AND 5
H8/f7	2 AND 4

PARTS LIST		
ITEM	QTY.	PART NAME
1	1	TOP PLATE
2	1	WHEEL
3	2	AXLE SUPPORT
4	1	AXLE
5	2	BUSHING



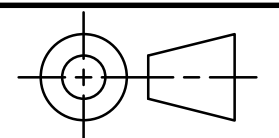
DIGITAL DESIGN GRAPHICS TECHNOLOGY

WWW.DDGT.NET



METRIC

CASTER EXPLODED ASSEMBLY  
SCALE 1:2



TOLERANCES UNLESS SPECIFIED:  
MILLIMETERS = ±.5  
X = ±.25  
XX = ±.12  
FRACTIONAL ±1/64"  
ANGLES ±1 DEGREE  
SURFACES 32/

CLASS: DDGT-120

ASSIGNMENT #: 60

AUTOCAD DRAWING NAME:  
CASTER ASSEMBLY

FIG #: 9-51

MANAGER: G. STROMMEN

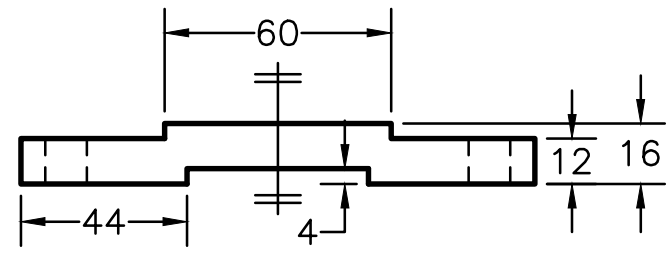
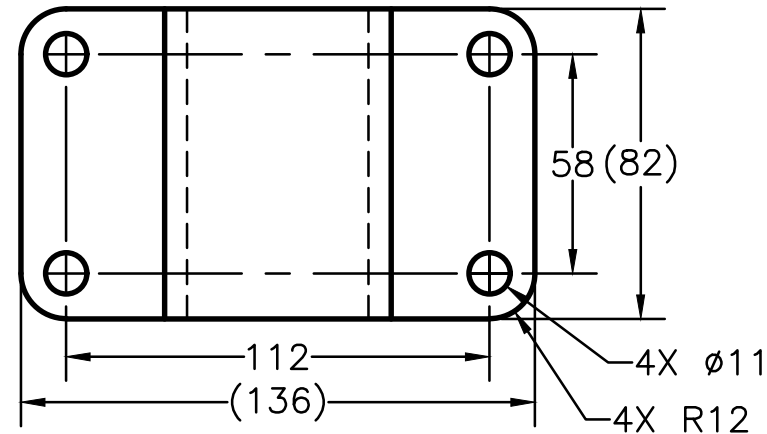
DRAFTER: L. MELBY

DATE: November 12, 2025

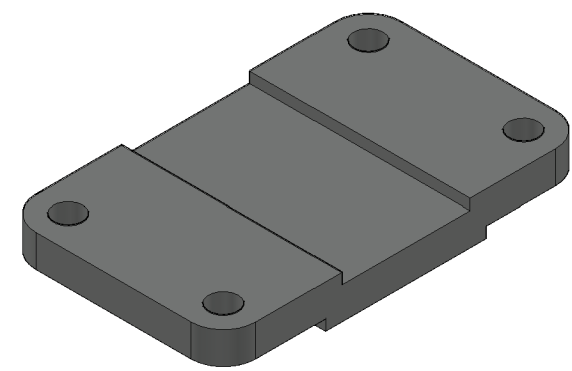
SCALE: AS NOTED

PAGE #: 2 OF 4

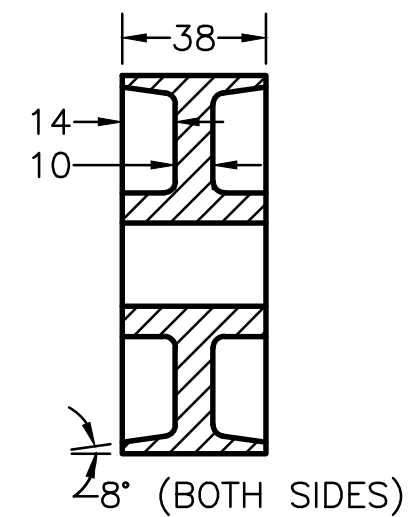
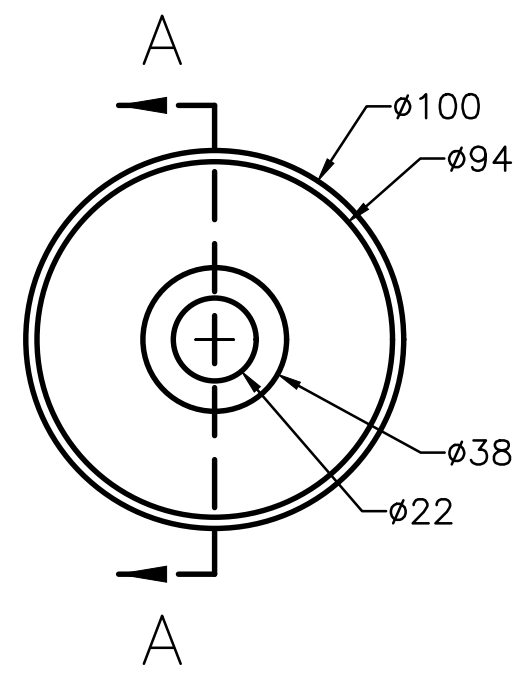
LEGEND	
SYMBOL	DESCRIPTION
∅	DIAMETER
R	RADIUS
°	DEGREES
	COUNTERBORE / SPOTFACE



TOP PLATE  
SCALE 1:2



TOP PLATE — 3D  
SCALE 1:2

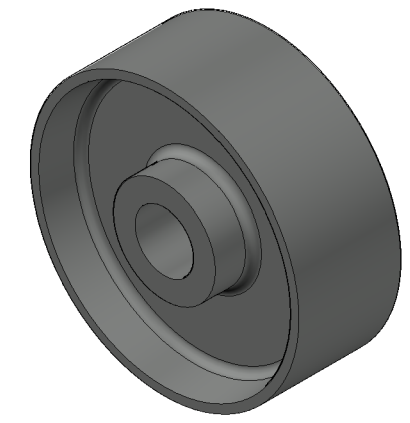


SECTION A-A

WHEEL  
SCALE 1:2

PARTS LIST

ITEM	QTY.	PART NAME
1	1	TOP PLATE
2	1	WHEEL

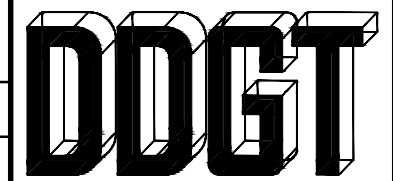


WHEEL — 3D  
SCALE 1:2

METRIC

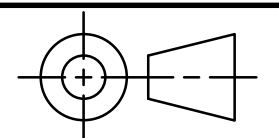
**GENERAL NOTES:**  
 FASTEN ASSEMBLY TO A 6mm STEEL PLATE BY FOUR M10 X 40mm LONG HEX HEAD BOLTS, NUTS, AND LOCK WASHERS.  
 ROUNDS AND FILLETS ARE 3

LEGEND	
SYMBOL	DESCRIPTION
Ø	DIAMETER
R	RADIUS
°	DEGREES
	COUNTERBORE / SPOTFACE



DIGITAL DESIGN  
GRAPHICS  
TECHNOLOGY

WWW.DDGT.NET



TOLERANCES UNLESS SPECIFIED:  
 MILLIMETERS = ±.5  
 X = ±.25  
 XX = ±.12  
 FRACTIONAL ±1/64"  
 ANGLES ±1 DEGREE  
 SURFACES 32/

CLASS: DDGT-120

ASSIGNMENT #: 60

AUTOCAD DRAWING NAME:  
CASTER ASSEMBLY

FIG #: 9-51

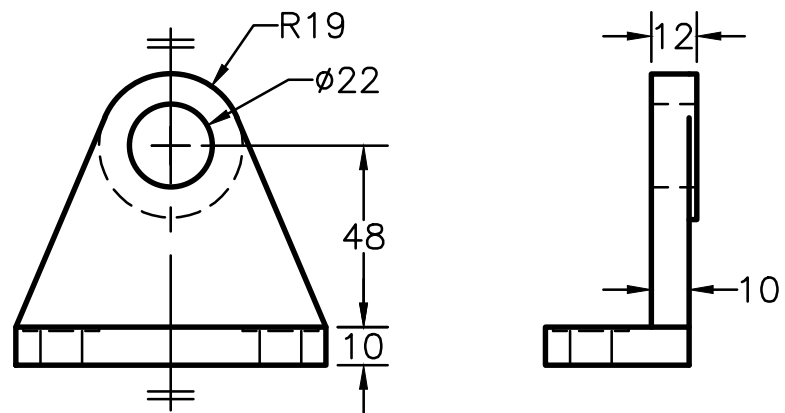
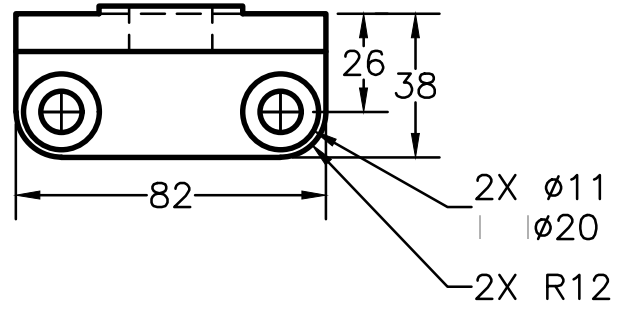
MANAGER: G. STROMMEN

DRAFTER: L. MELBY

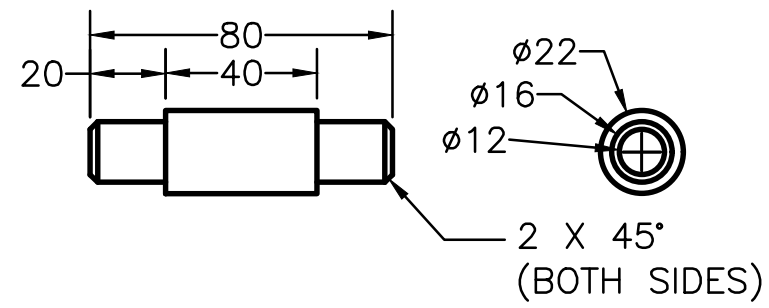
DATE: November 12, 2025

SCALE: AS NOTED

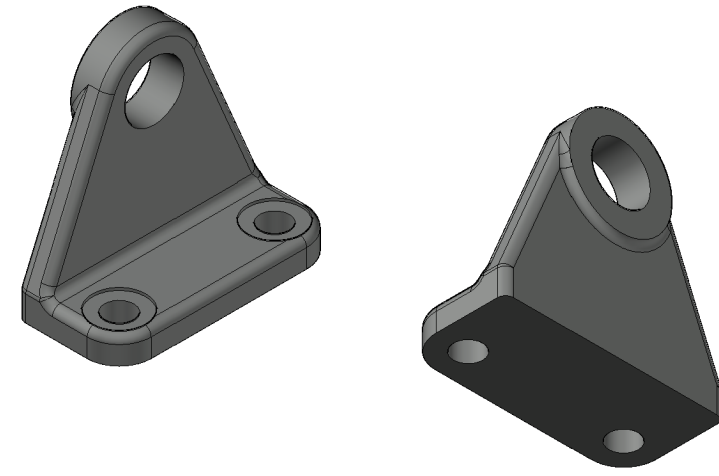
PAGE #: 3 OF 4



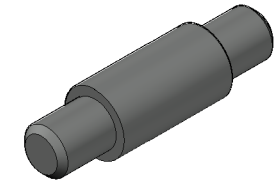
AXLE SUPPORT  
SCALE 1:2



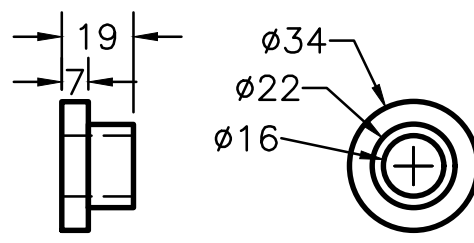
AXLE  
SCALE 1:2



AXLE SUPPORT  
3D VIEWS  
SCALE 1:2

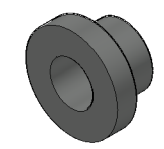


AXLE — 3D  
SCALE 1:2



BUSHING  
SCALE 1:2

METRIC

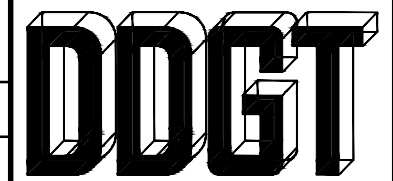


BUSHING — 3D  
SCALE 1:2

PARTS LIST		
ITEM	QTY.	PART NAME
3	2	AXLE SUPPORT
4	1	AXLE
5	2	BUSHING

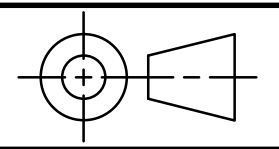
GENERAL NOTES:  
FASTEN ASSEMBLY TO A 6mm STEEL PLATE BY FOUR M10 X 40mm LONG HEX HEAD BOLTS, NUTS, AND LOCK WASHERS.

ROUNDS AND FILLETS ARE 3



DIGITAL DESIGN  
GRAPHICS  
TECHNOLOGY

WWW.DDGT.NET



TOLERANCES UNLESS SPECIFIED:  
MILLIMETERS = ±.5  
X = ±.25  
XX = ±.12  
  
FRACTIONAL ±1/64"  
ANGLES ±1 DEGREE  
SURFACES 32/

CLASS: DDGT-120

ASSIGNMENT #: 60

AUTOCAD DRAWING NAME:  
CASTER ASSEMBLY

FIG #: 9-51

MANAGER: G. STROMMEN

DRAFTER: L. MELBY

DATE: November 12, 2025

SCALE: AS NOTED

PAGE #: 4 OF 4

LEGEND	
SYMBOL	DESCRIPTION
∅	DIAMETER
R	RADIUS
°	DEGREES
	COUNTERBORE / SPOTFACE