

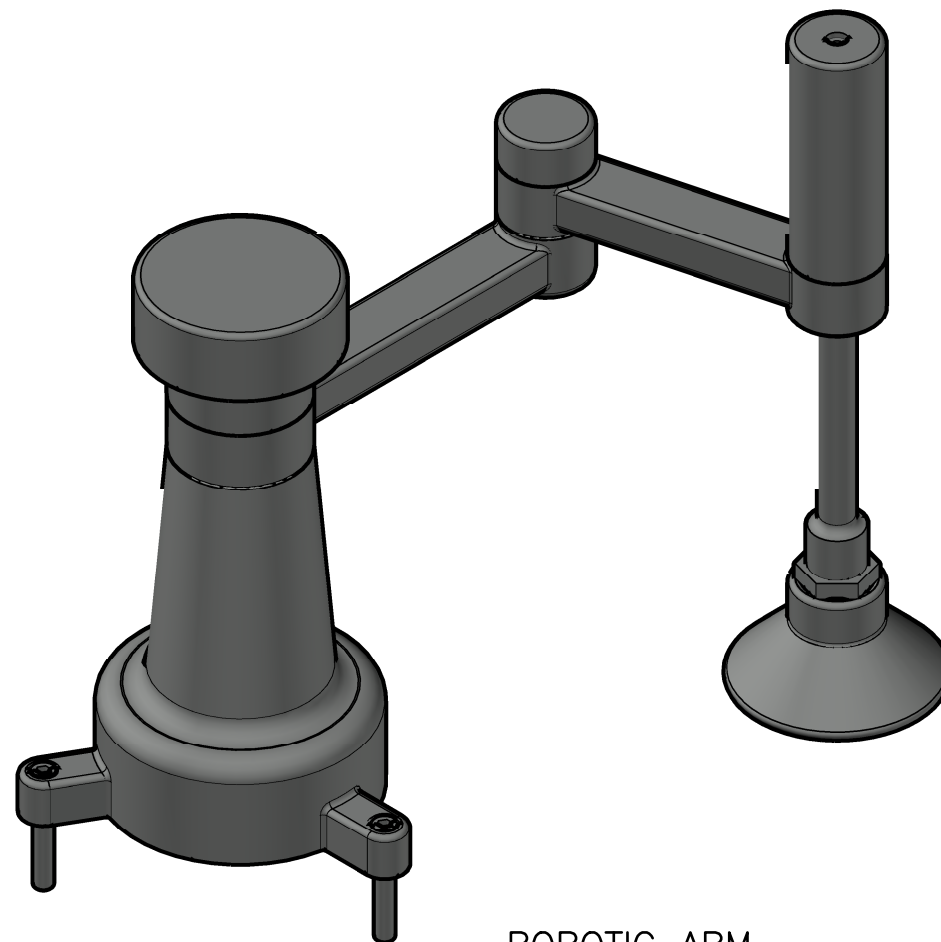
## GENERAL NOTES:

ALL FILLETS R.06 UNLESS OTHERWISE NOTED.

ALL CHAMFERS .02 X 45° UNLESS OTHERWISE NOTED.

## PARTS LIST

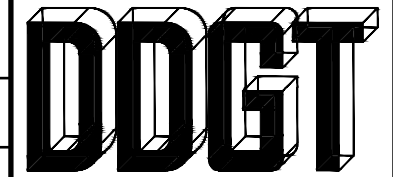
ITEM	QTY.	PART NAME	MATERIAL	DESCRIPTION
1	1	BASE E-01	ALUMINUM	DESCRIPTION
2	1	ARM E-01	ALUMINUM	
3	1	ARM E-02	ALUMINUM	
4	1	VACUUM CONNECTOR	STEEL	
5	1	VACUUM CUP	RUBBER	
6	1	BASE CAP	ALUMINUM	
7	1	ELBOW CAP	ALUMINUM	
8	1	VACUUM CAP	ALUMINUM	
9	3	CAP SCREW	STEEL	CHAM .015 END
10.1	1	SLIDING TUBE BOTTOM	STEEL	
10.2	1	SLIDING TUBE TOP	STEEL	



ROBOTIC ARM  
SCALE 1:2

## LEGEND:

- ∅ DIAMETER
- R RADIUS
- ° DEGREES
- SPOTFACE/COUNTERBORE
- ∇ COUNTERSINK
- ⇩ DEPTH
- CUBED

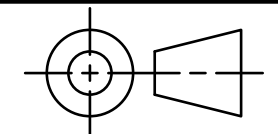


DIGITAL DESIGN  
GRAPHICS  
TECHNOLOGY

WWW.DDGT.NET



Julian Lemus  
Drafter  
(707)217-6845  
jlemus9@gmail.com  
<https://ddgt.net/studentpages/jlemus>



TOLERANCES UNLESS SPECIFIED:  
DECIMAL INCHES:  
X = ±.020  
XX = ±.010  
XXX = ±.005  
FRACTIONAL ±1/64"  
ANGLES ±1 DEGREE  
SURFACES 32/

CLASS: DDGT 241

ASSIGNMENT #: 8

AUTOCAD DRAWING NAME:  
ROBOTIC ARM

FIG #: 1058

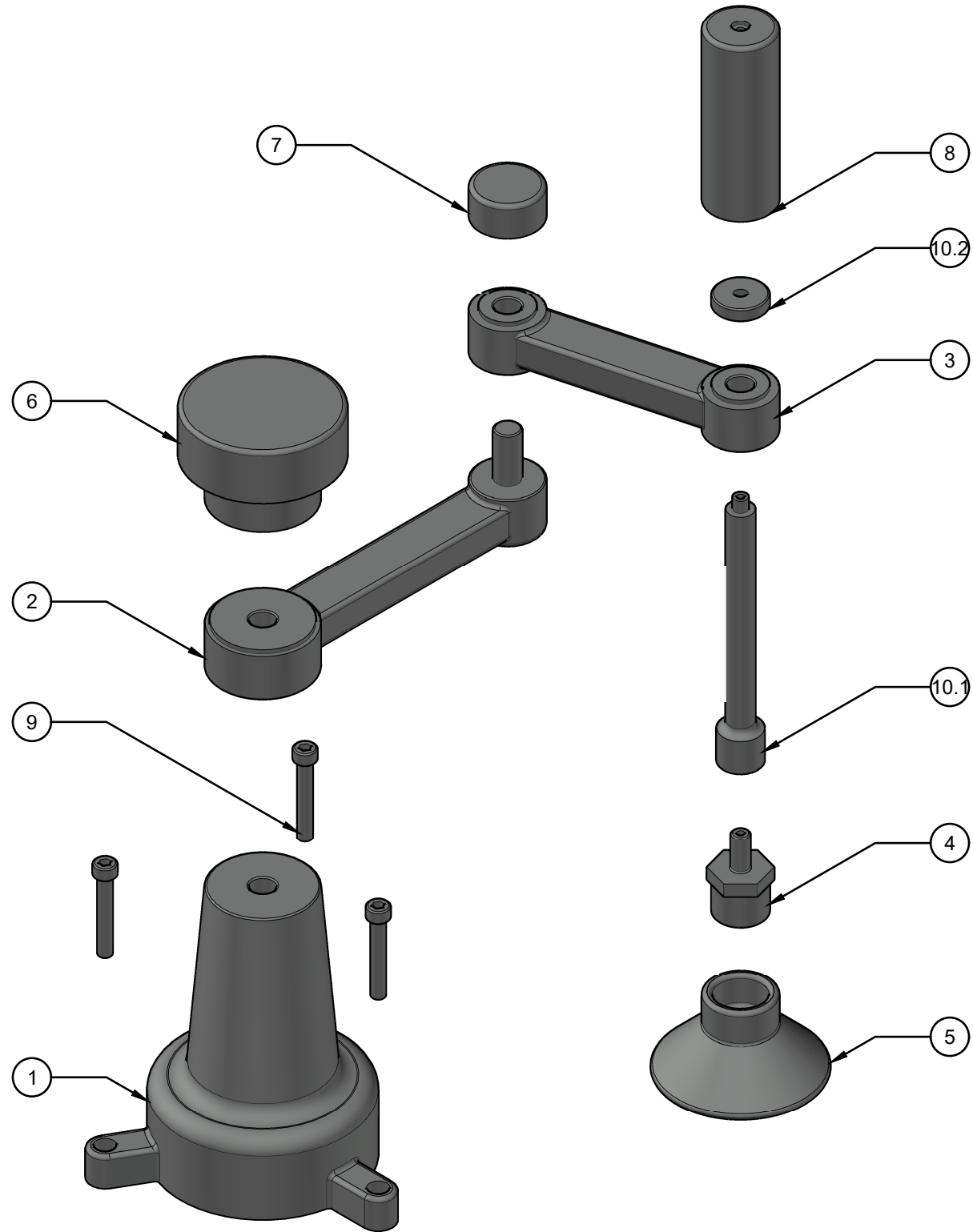
MANAGER: G. STROMMEN

DRAFTER: J. LEMUS

DATE: 5/2/2026

SCALE: AS NOTED

PAGE #: 1 OF 6



EXPLODED VIEW  
SCALE 1:2

## PARTS LIST

ITEM	QTY.	PART NAME	MATERIAL
1	1	BASE E-01	ALUMINUM
2	1	ARM E-01	ALUMINUM
3	1	ARM E-02	ALUMINUM
4	1	VACUUM CONNECTOR	STEEL
5	1	VACUUM CUP	RUBBER
6	1	BASE CAP	ALUMINUM
7	1	ELBOW CAP	ALUMINUM
8	1	VACUUM CAP	ALUMINUM
9	3	CAP SCREW	STEEL
10.1	1	SLIDING TUBE BOTTOM	STEEL
10.2	1	SLIDING TUBE TOP	STEEL

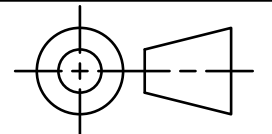
# DDGT

DIGITAL DESIGN  
GRAPHICS  
TECHNOLOGY

WWW.DDGT.NET



Julian Lemus  
Drafter  
(707)217-6845  
jlemus9@gmail.com  
<https://ddgt.net/studentpages/jlemus>



TOLERANCES UNLESS SPECIFIED:  
DECIMAL INCHES:  
X = ±.020  
XX = ±.010  
XXX = ±.005  
FRACTIONAL ±1/64"  
ANGLES ±1 DEGREE  
SURFACES 32/

CLASS: DDGT 241

ASSIGNMENT #: 8

AUTOCAD DRAWING NAME:  
ROBOTIC ARM

FIG #: 1058

MANAGER: G. STROMMEN

DRAFTER: J. LEMUS

DATE: 5/2/2026

SCALE: AS NOTED

PAGE #: 2 OF 6

# GENERAL NOTES:

ALL FILLETS R.06 UNLESS OTHERWISE NOTED.

ALL CHAMFERS .02 X 45° UNLESS OTHERWISE NOTED.

# LEGEND:

- ∅ DIAMETER
- R RADIUS
- ° DEGREES
- SPOTFACE/COUNTERBORE
- ∇ COUNTERSINK
- ▽ DEPTH
- CUBED

PARTS LIST		
ITEM	QTY.	PART NAME
1	1	BASE E-01
2	1	ARM E-01

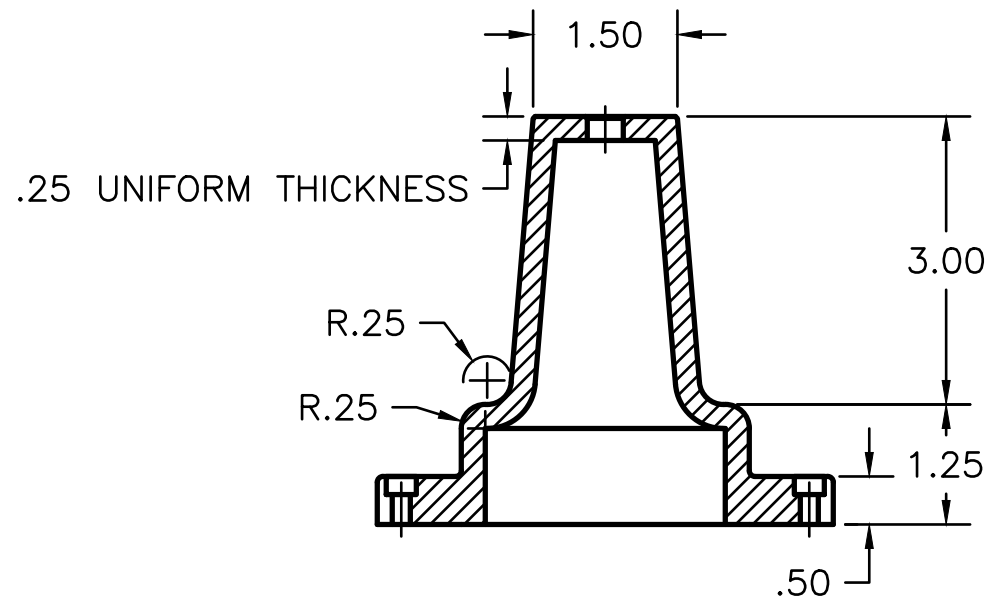
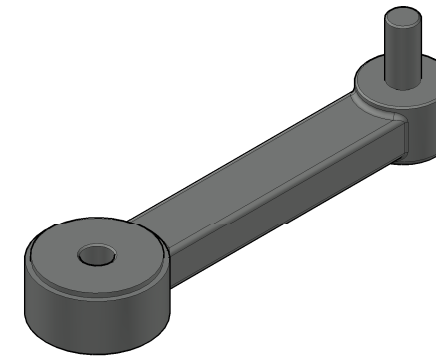
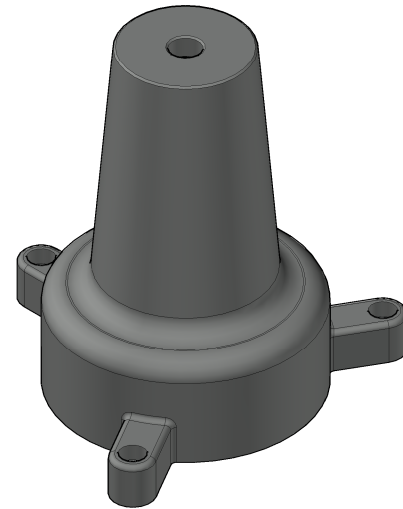
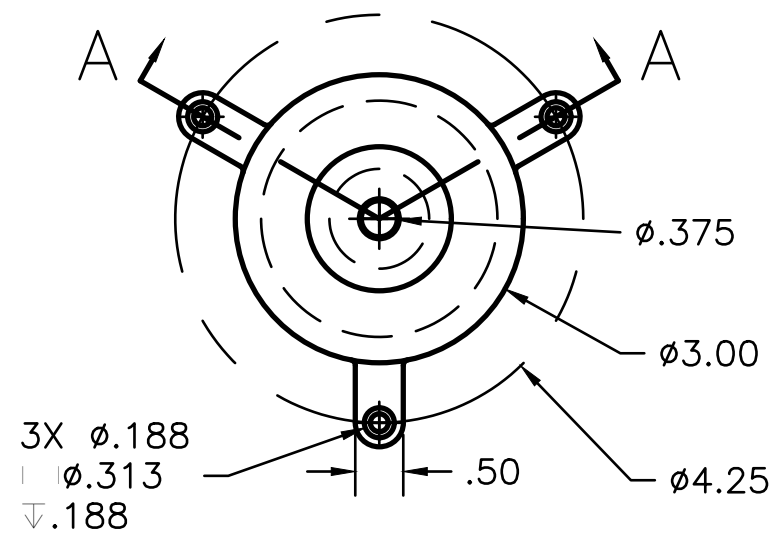


DIGITAL DESIGN  
GRAPHICS  
TECHNOLOGY

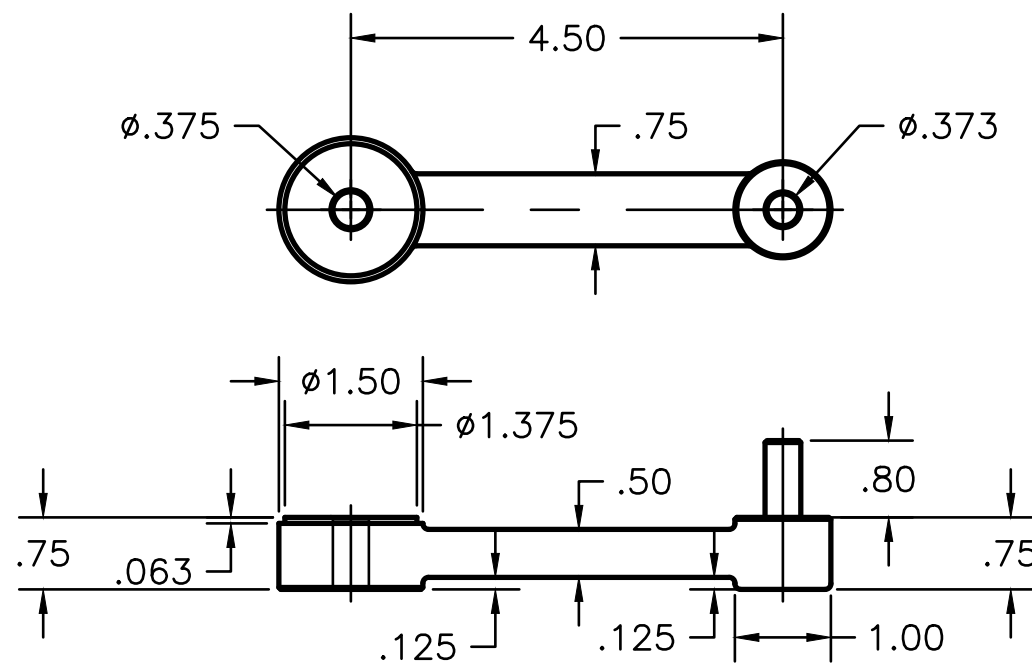
WWW.DDGT.NET



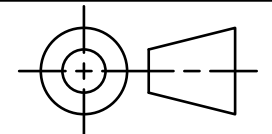
Julian Lemus  
Drafter  
(707)217-6845  
jlemus9@gmail.com  
<https://ddgt.net/studentpages/jlemus>



BASE E-01  
SCALE 1:2



ARM E-01  
SCALE 1:2



TOLERANCES UNLESS SPECIFIED:  
DECIMAL INCHES:  
X = ±.020  
XX = ±.010  
XXX = ±.005  
FRACTIONAL ±1/64"  
ANGLES ±1 DEGREE  
SURFACES 32/

CLASS: DDGT 241

ASSIGNMENT #: 8

AUTOCAD DRAWING NAME:  
ROBOTIC ARM

FIG #: 1058

MANAGER: G. STROMMEN

DRAFTER: J. LEMUS

DATE: 5/2/2026

SCALE: AS NOTED

PAGE #: 3 OF 6

# GENERAL NOTES:

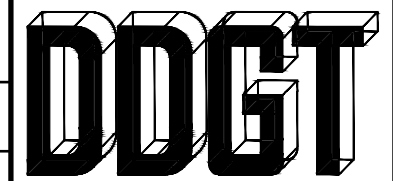
ALL FILLETS R.06 UNLESS OTHERWISE NOTED.

ALL CHAMFERS .02 X 45° UNLESS OTHERWISE NOTED.

# LEGEND:

- ∅ DIAMETER
- R RADIUS
- ° DEGREES
- SPOTFACE/COUNTERBORE
- ∇ COUNTERSINK
- ∇ DEPTH
- CUBED

PARTS LIST		
ITEM	QTY.	PART NAME
3	1	ARM E-02
4	1	VACUUM CONNECTOR
5	1	VACUUM CUP

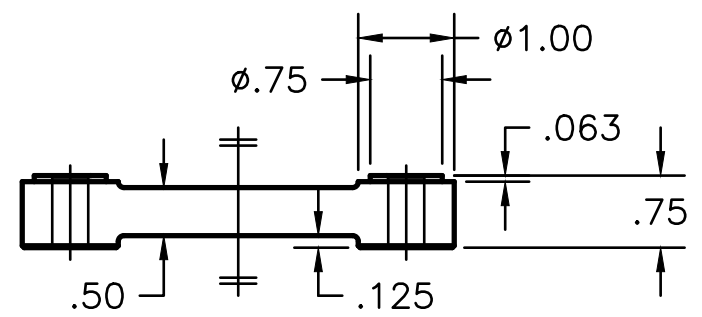
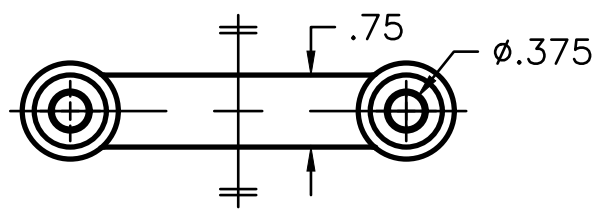
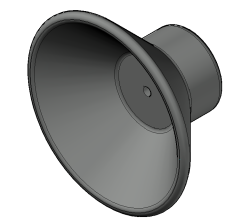
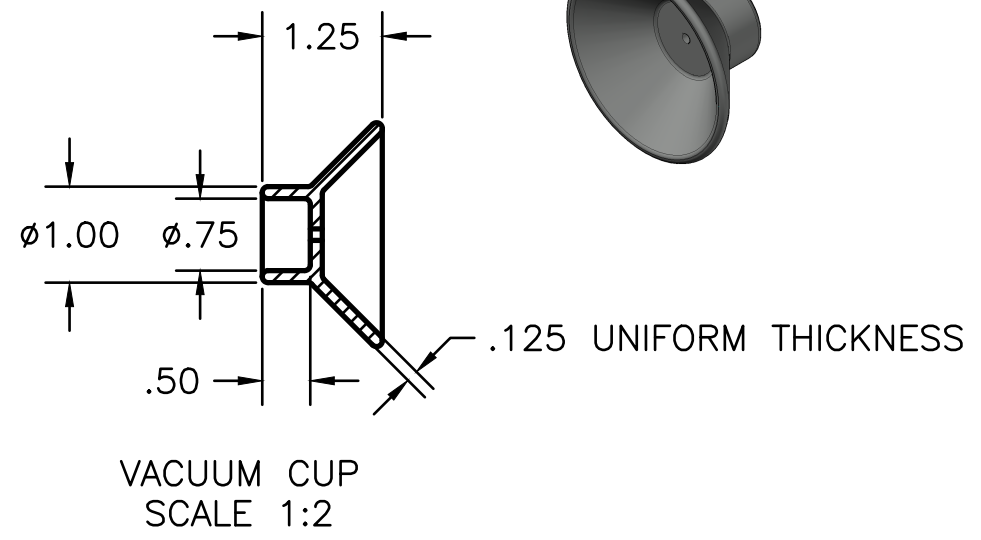
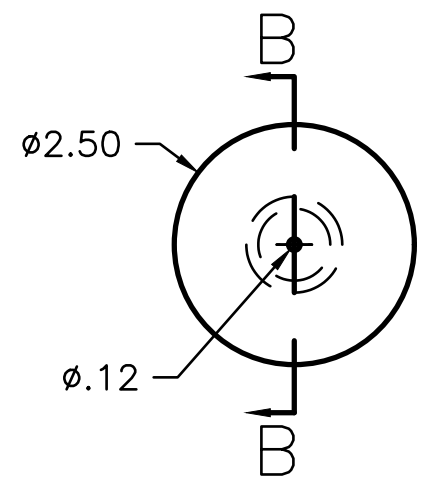
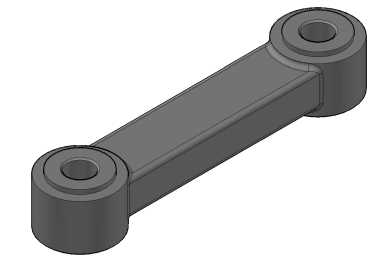


DIGITAL DESIGN  
GRAPHICS  
TECHNOLOGY

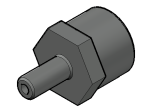
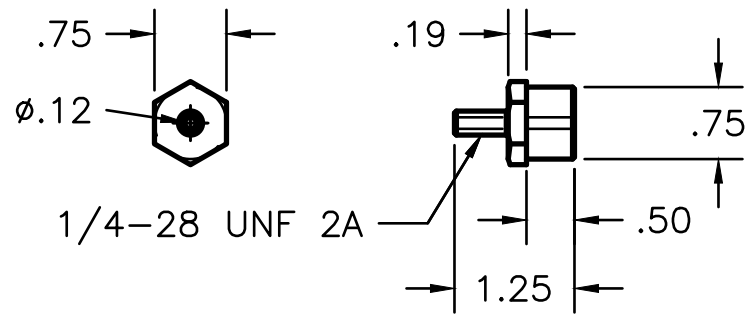
WWW.DDGT.NET



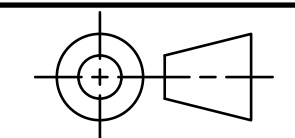
Julian Lemus  
Drafter  
(707)217-6845  
jlemus9@gmail.com  
<https://ddgt.net/studentpages/jlemus>



ARM E-02  
SCALE 1:2



VACUUM CONNECTOR  
SCALE 1:2



TOLERANCES UNLESS SPECIFIED:  
DECIMAL INCHES:  
X = ±.020  
XX = ±.010  
XXX = ±.005  
FRACTIONAL ±1/64"  
ANGLES ±1 DEGREE  
SURFACES 32/

CLASS: DDGT 241

ASSIGNMENT #: 8

AUTOCAD DRAWING NAME:  
ROBOTIC ARM

FIG #: 1058

MANAGER: G. STROMMEN

DRAFTER: J. LEMUS

DATE: 5/2/2026

SCALE: AS NOTED

PAGE #: 4 OF 6

# GENERAL NOTES:

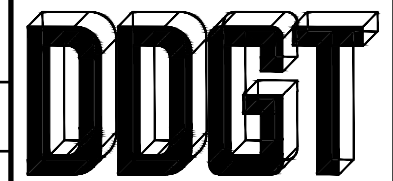
ALL FILLETS R.06 UNLESS OTHERWISE NOTED.

ALL CHAMFERS .02 X 45° UNLESS OTHERWISE NOTED.

# LEGEND:

- ∅ DIAMETER
- R RADIUS
- ° DEGREES
- SPOTFACE/COUNTERBORE
- ∇ COUNTERSINK
- ∇ DEPTH
- CUBED

PARTS LIST		
ITEM	QTY.	PART NAME
6	1	BASE CAP
7	1	ELBOW CAP
8	1	VACUUM CAP

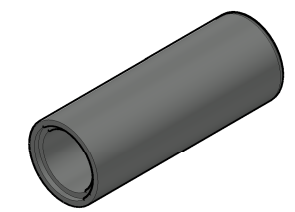
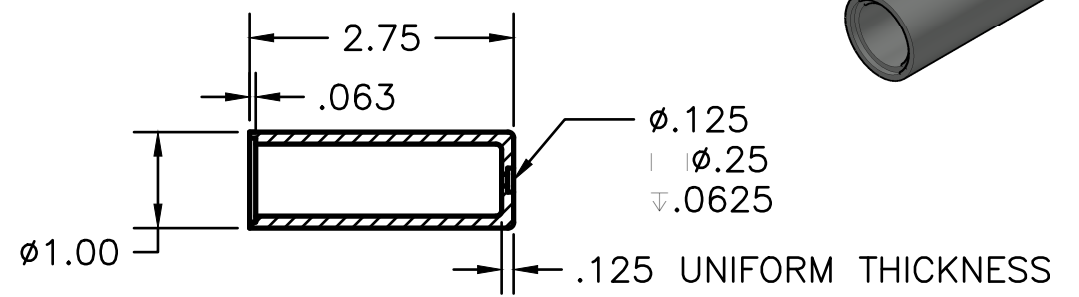
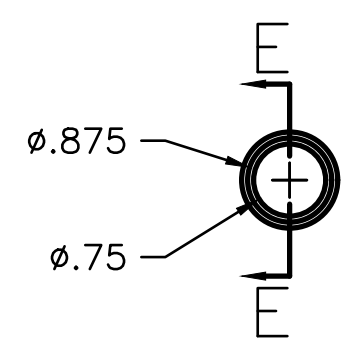


DIGITAL DESIGN  
GRAPHICS  
TECHNOLOGY

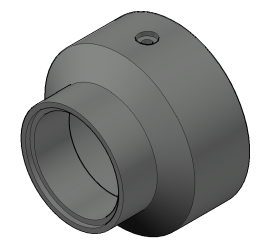
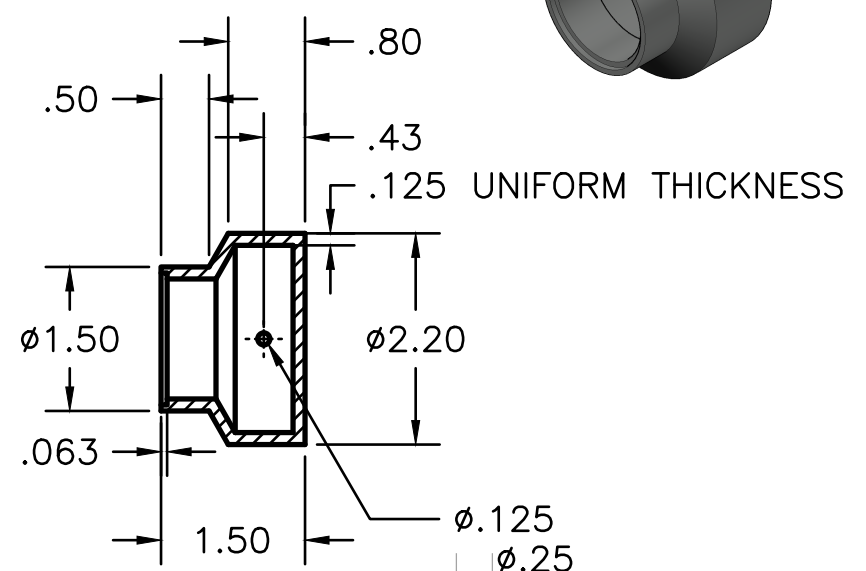
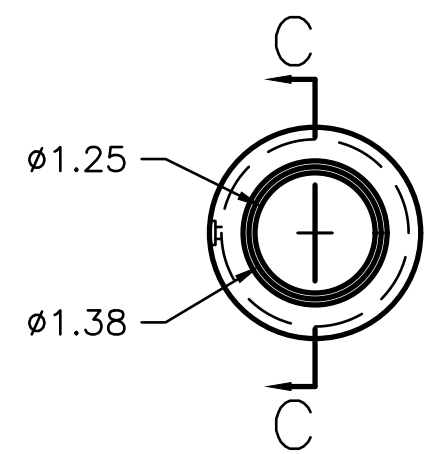
WWW.DDGT.NET



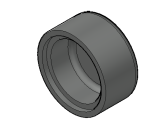
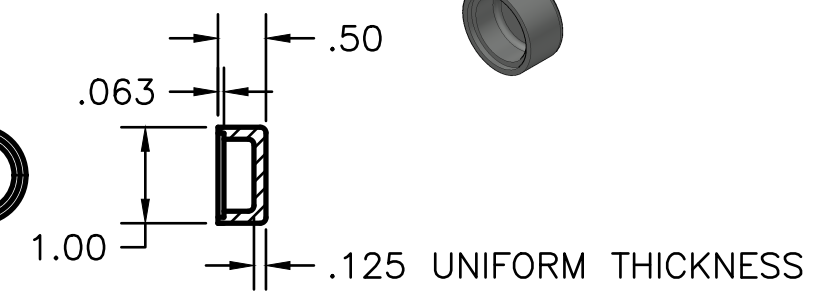
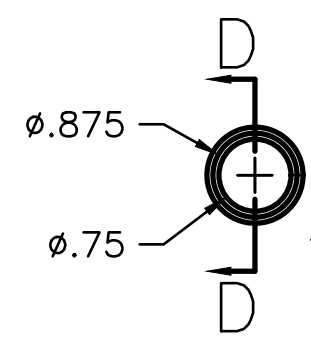
Julian Lemus  
Drafter  
(707)217-6845  
jlemus9@gmail.com  
<https://ddgt.net/studentpages/jlemus>



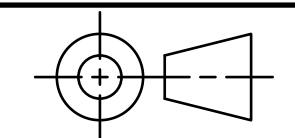
VACUUM CAP  
SCALE 1:2



BASE CAP  
SCALE 1:2



ELBOW CAP  
SCALE 1:2



TOLERANCES UNLESS SPECIFIED:  
DECIMAL INCHES:  
X = ±.020  
XX = ±.010  
XXX = ±.005  
FRACTIONAL ±1/64"  
ANGLES ±1 DEGREE  
SURFACES 32/

CLASS: DDGT 241

ASSIGNMENT #: 8

AUTOCAD DRAWING NAME:  
ROBOTIC ARM

FIG #: 1058

MANAGER: G. STROMMEN

DRAFTER: J. LEMUS

DATE: 5/2/2026

SCALE: AS NOTED

PAGE #: 5 OF 6

# GENERAL NOTES:

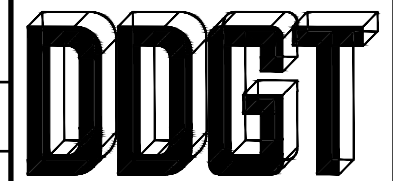
ALL FILLETS R.06 UNLESS OTHERWISE NOTED.

ALL CHAMFERS .02 X 45° UNLESS OTHERWISE NOTED.

# LEGEND:

- ∅ DIAMETER
- R RADIUS
- ° DEGREES
- SPOTFACE/COUNTERBORE
- ∇ COUNTERSINK
- ∇ DEPTH
- CUBED

PARTS LIST		
ITEM	QTY.	PART NAME
9	3	CAP SCREW
10.1	1	SLIDING TUBE BOTTOM
10.2	1	SLIDING TUBE TOP

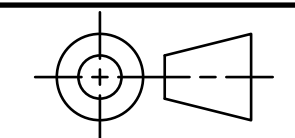


DIGITAL DESIGN  
GRAPHICS  
TECHNOLOGY

WWW.DDGT.NET



Julian Lemus  
Drafter  
(707)217-6845  
jlemus9@gmail.com  
<https://ddgt.net/studentpages/jlemus>



TOLERANCES UNLESS SPECIFIED:  
DECIMAL INCHES:  
X = ±.020  
XX = ±.010  
XXX = ±.005  
FRACTIONAL ±1/64"  
ANGLES ±1 DEGREE  
SURFACES 32/

CLASS: DDGT 241

ASSIGNMENT #: 8

AUTOCAD DRAWING NAME:  
ROBOTIC ARM

FIG #: 1058

MANAGER: G. STROMMEN

DRAFTER: J. LEMUS

DATE: 5/2/2026

SCALE: AS NOTED

PAGE #: 6 OF 6

