

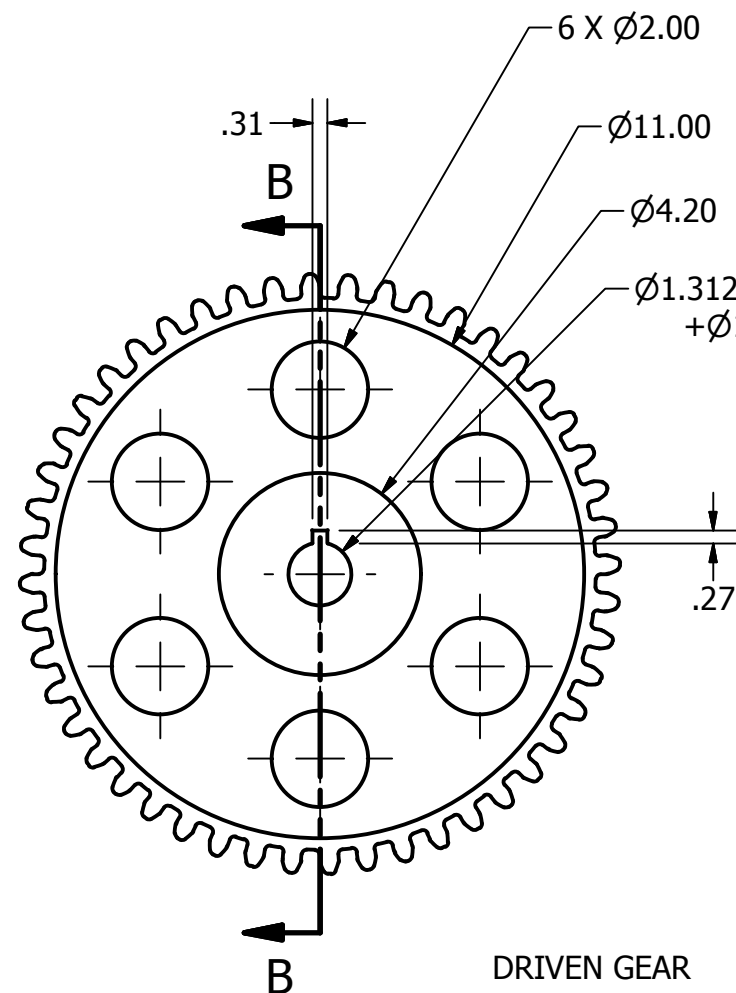
4

3

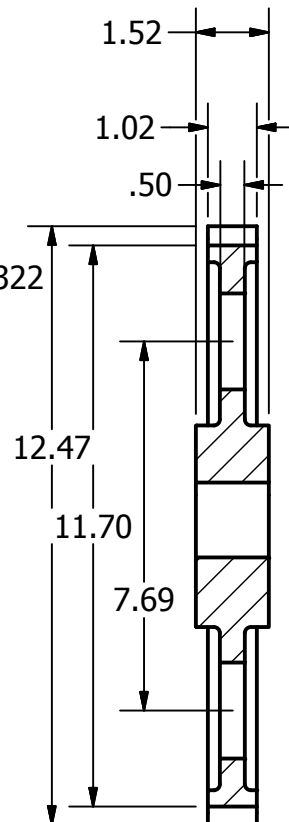
2

1

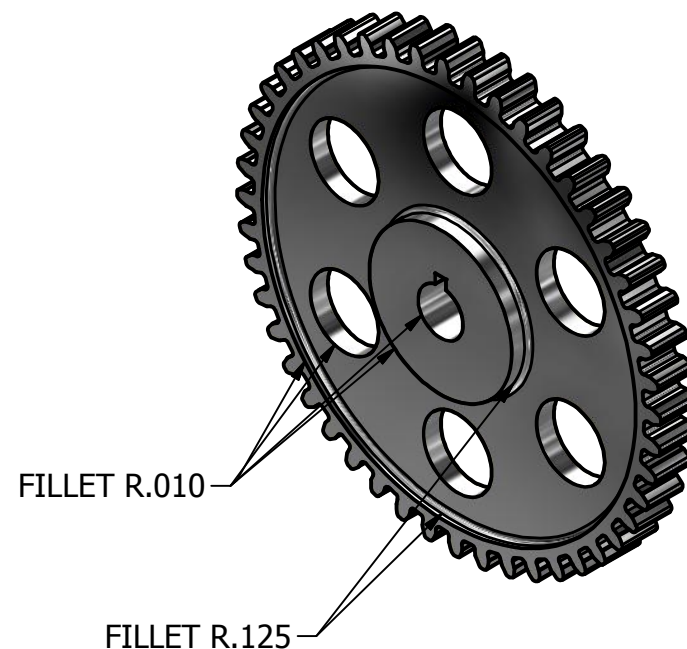
| PARTS LIST         |       |             |
|--------------------|-------|-------------|
| ITEM               | QTY   | PART NUMBER |
| 4                  | 1     | DRIVEN GEAR |
| CUTTING TABLE      |       |             |
| DISCRIPTION        | VALUE |             |
| PRESSUR ANGLE      | 20°   |             |
| PTICH DIAMETER     | 12    |             |
| NUMBER OF TEETH    | 48    |             |
| OUTSIDE DIAMETER   | 12.5  |             |
| ROOT DIAMETER      | 11.5  |             |
| CIRCULAR THICKNESS | .3927 |             |



DRIVEN GEAR



SECTION B-B  
 SCALE 1 / 4



|                    |          |                               |                               |     |
|--------------------|----------|-------------------------------|-------------------------------|-----|
| DRAWN<br>S TILLMON | 9/9/2010 | TITLE<br><br><b>SPUR GEAR</b> |                               |     |
| CHECKED            |          |                               |                               |     |
| QA                 |          |                               |                               |     |
| MFG                |          |                               |                               |     |
| APPROVED           |          | SIZE<br><b>B</b>              | DWG NO                        | REV |
|                    |          |                               | <b>SPUR GEAR ASSEMBLY 1-1</b> |     |
|                    |          | SCALE                         | SHEET 4 OF 6                  |     |

4

3

2

1