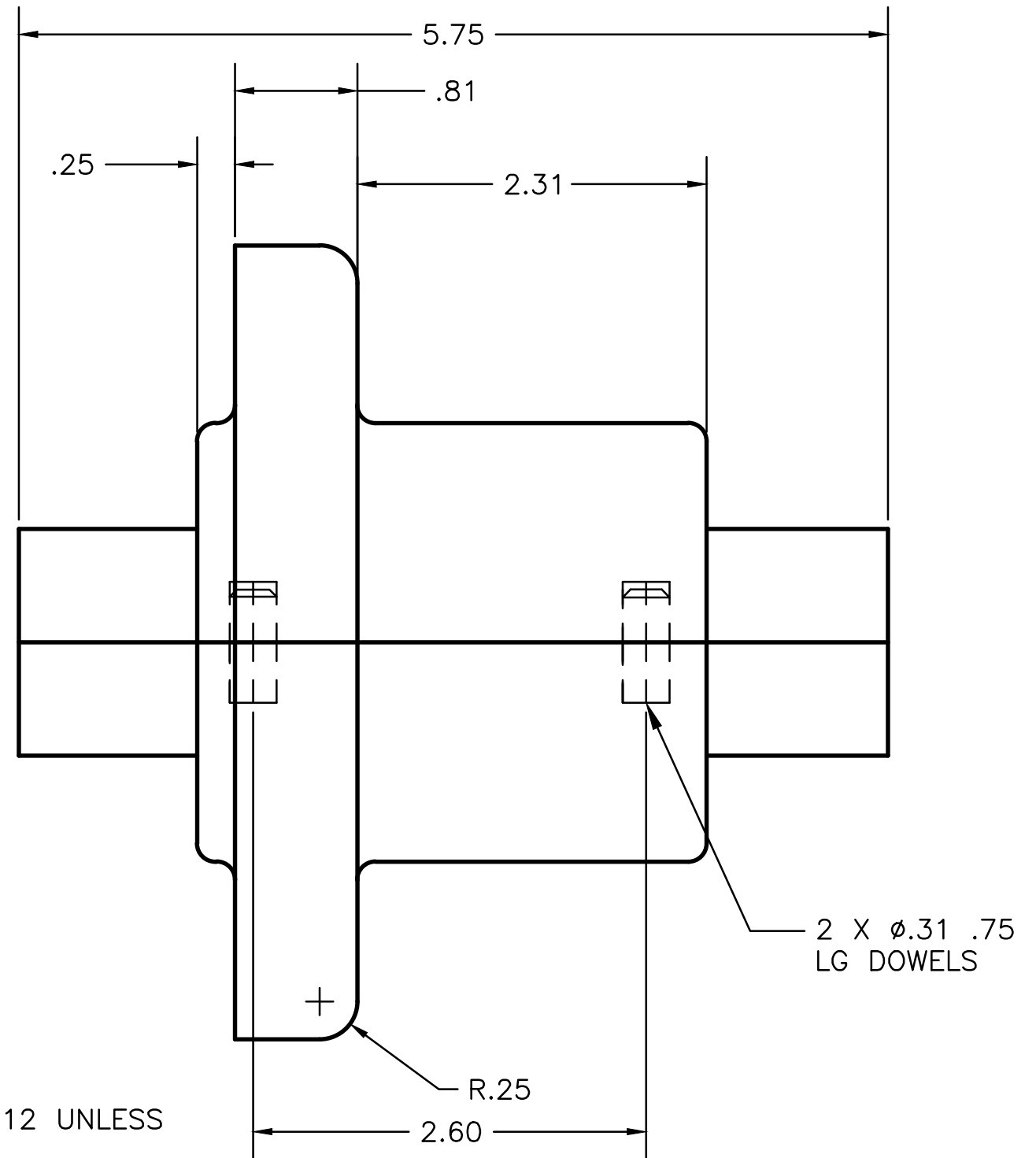
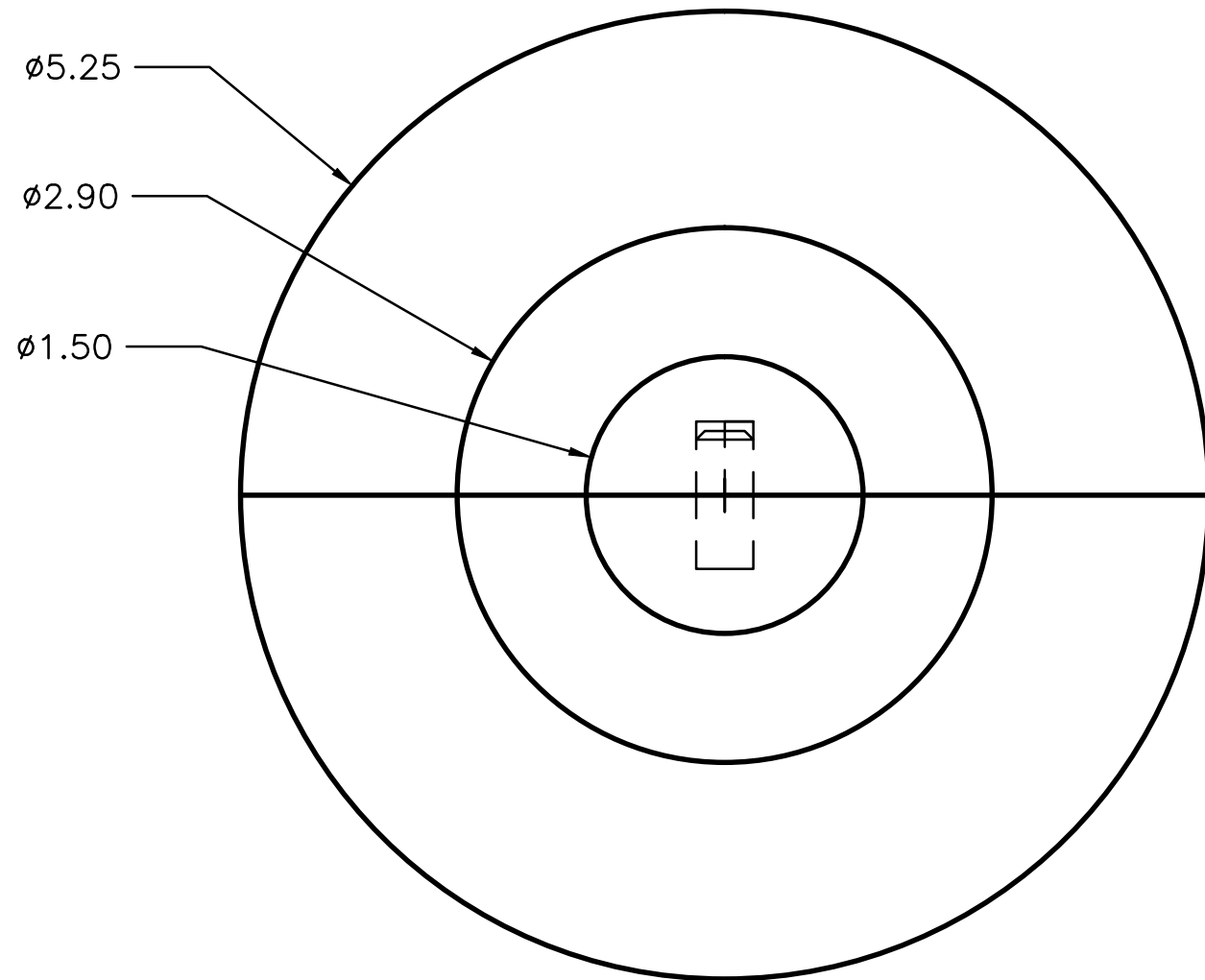


UNLESS OTHERWISE SPECIFIED:  
 DRAFT ANGLE - INTERNAL SURFACES 2°  
 INTERNAL SURFACES 1°  
 $\frac{.125}{.06}$  EXCEPT WHERE NOTED  
 MATL - MI

$\oplus$	$\phi .005$	(M)	A	B	(M)
----------	-------------	-----	---	---	-----

DIGITAL DESIGN GRAPHIC TECHNOLOGIES NAPA VALLEY COLLEGE NAPA, CA	NAME: SAEDA TILLMON	DWG NAME: 13-15	DWG NO.
	DATE: 12/09/09 COURSE: DDGT 120	APPD:	SCALE: 1:1 DWGNO.

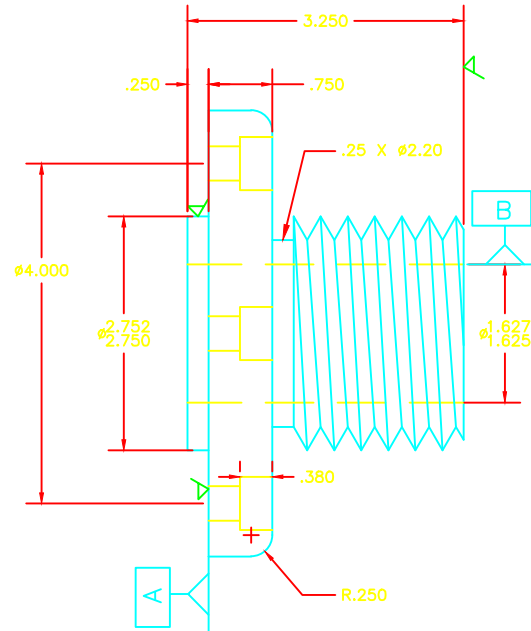
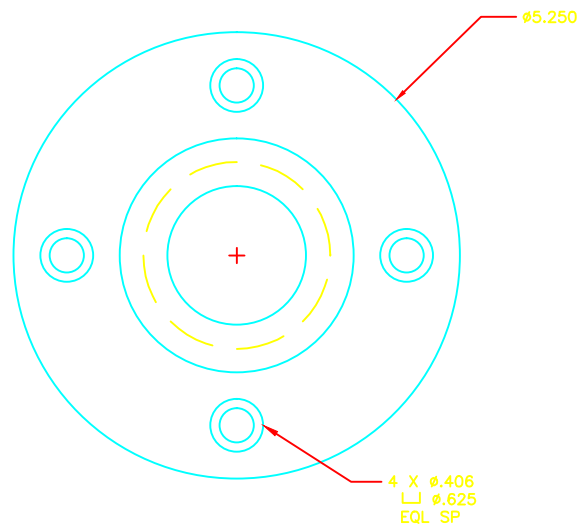


ROUNDS AND FILLETS R .12 UNLESS OTHERWISE SHOWN

USE SHRINK RULE FOR MALLEABLE IRON REFERENCE DWG

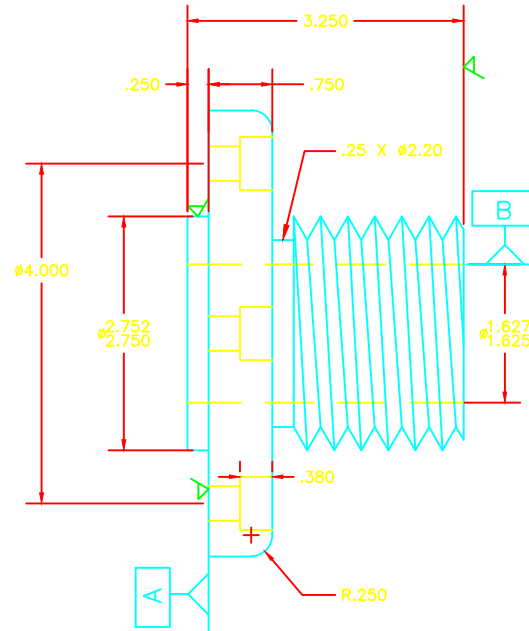
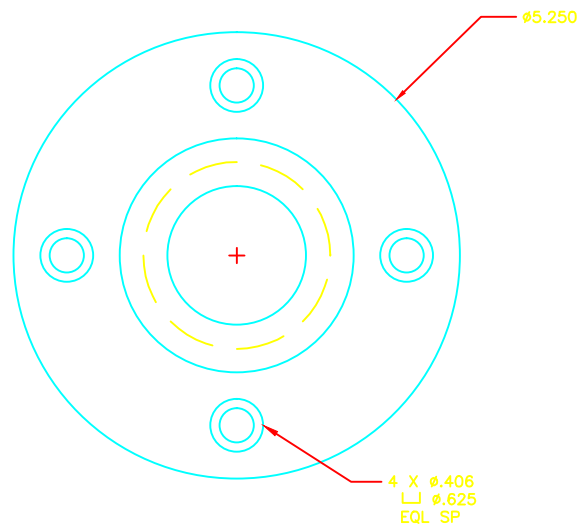
MATL - WHITE PINE

DIGITAL DESIGN GRAPHIC TECHNOLOGIES NAPA VALLEY COLLEGE NAPA, CA	NAME: SAEDA TILLMON	DWG NAME: PATTERN FOR 13-15	DWG NO.
	DATE: 12/09/2009		
	COURSE: DDGT 120	SCALE: 1:1	



UNLESS OTHERWISE SPECIFIED:  
 DRAFT ANGLE - INTERNAL SURFACES 2°  
 INTERNAL SURFACES 1°  
 $\frac{.125}{.0625}$  EXCEPT WHERE NOTED  
 MATL - MI

$\oplus \phi .005 (M) A B (M)$



UNLESS OTHERWISE SPECIFIED:  
 DRAFT ANGLE - INTERNAL SURFACES 2°  
 INTERNAL SURFACES 1°

$\frac{.125}{.0625}$  EXCEPT WHERE NOTED

MATL - MI

$\oplus \phi .005 \text{ (M) A B (M)}$