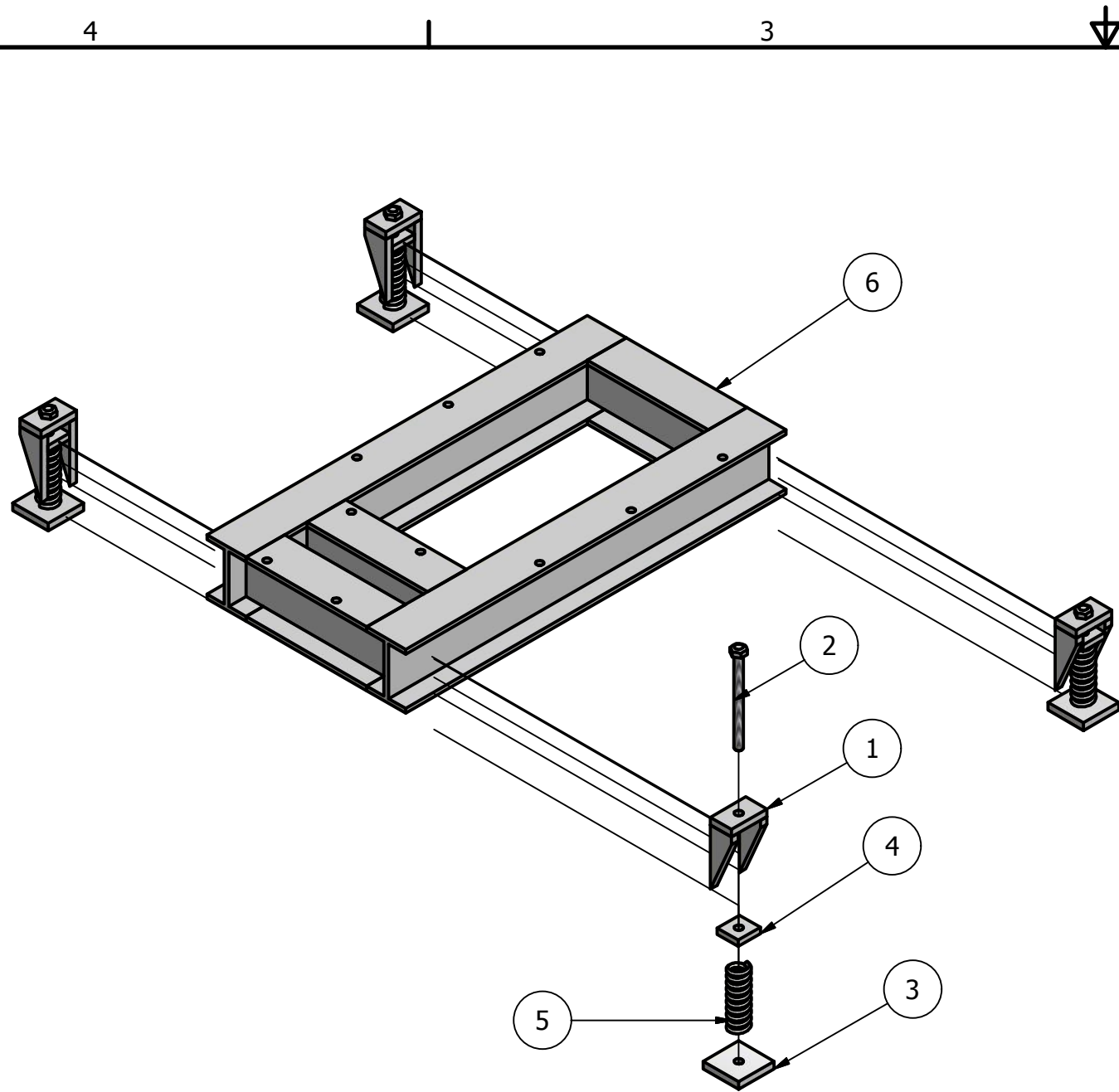


PARTS LIST			
ITEM	QTY	PART NUMBER	DESCRIPTION
1	4	SLF SPRING MOUNTNG BASE	3 PIECE WELDMENT
2	1	BOLT	M12X1.75 - 6G
3	1	BASE PLATE	
4	1	TOP PLATE	
5	1	SPRING	
6	1	FRAME ASSEMBLY	5 PIECE WELDMENT S 100 X 14.1

FAN AND MOTER BASE ASSEMBLY  
SCALE 1 / 4

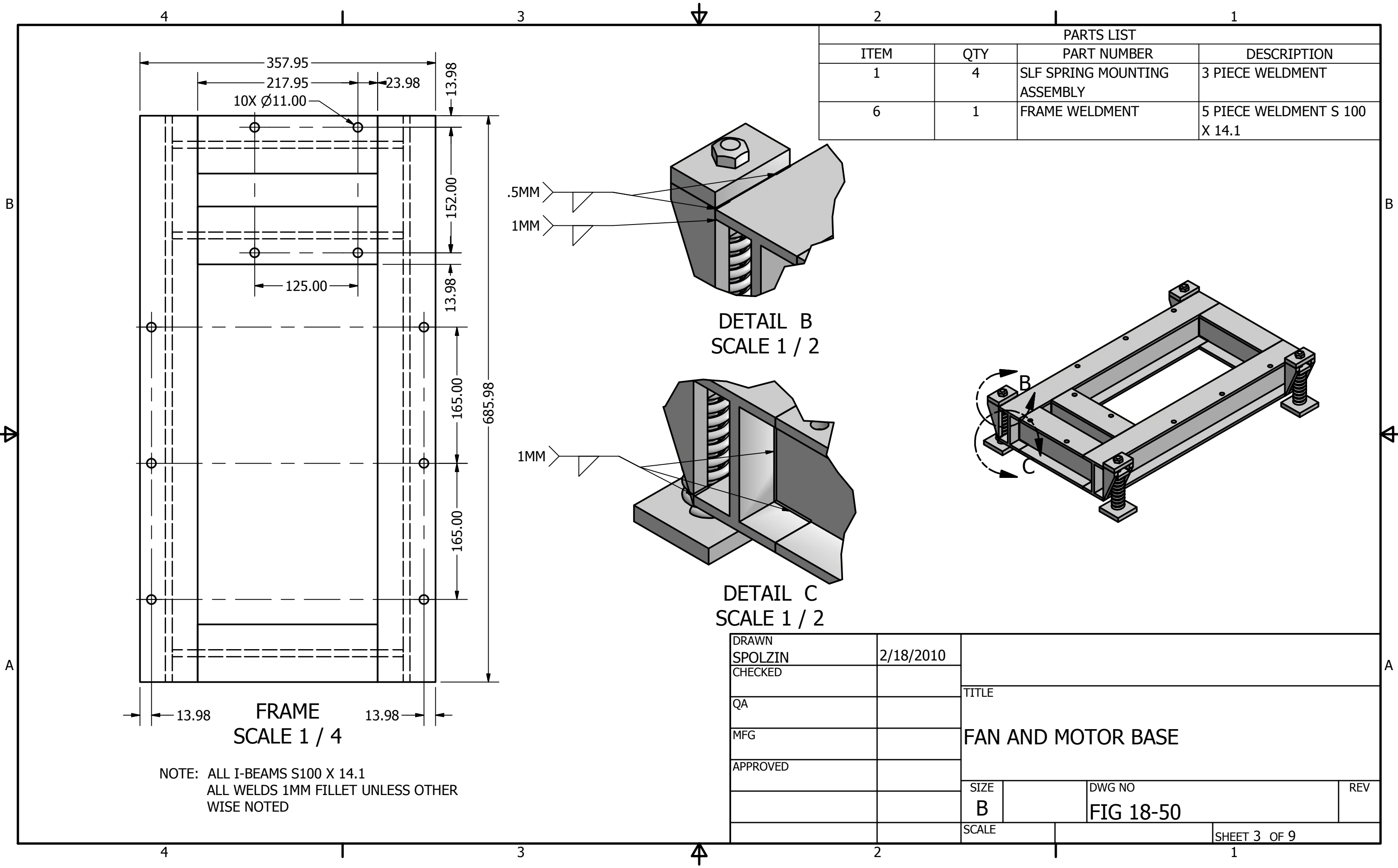
DRAWN SPOLZIN	2/18/2010	TITLE <b>FAN AND MOTOR BASE</b>		
CHECKED				
QA				
MFG				
APPROVED		SIZE <b>B</b>	DWG NO <b>FIG 18-50</b>	REV
		SCALE	SHEET 1 OF 9	



PARTS LIST			
ITEM	QTY	PART NUMBER	DESCRIPTION
1	4	SLF SPRING MOUNTNG BASE	3 PIECE WELDMNT
2	1	BOLT	M12X1.75 - 6G
3	1	BASE PLATE	
4	1	TOP PLATE	
5	1	SPRING	
6	1	FRAME ASSEMBLY	5 PIECE WELDMNT S 100 X 14.1

FAN AND MOTOR BASE ASSEMBLY EXPLODED VEIW  
SCALE 1/8

DRAWN SPOLZIN	2/18/2010	TITLE  FAN AND MOTOR BASE		
CHECKED				
QA				
MFG				
APPROVED		SIZE B	DWG NO FIG 18-50	REV
		SCALE	SHEET 2 OF 9	



PARTS LIST			
ITEM	QTY	PART NUMBER	DESCRIPTION
1	4	SLF SPRING MOUNTING ASSEMBLY	3 PIECE WELDMENT
6	1	FRAME WELDMENT	5 PIECE WELDMENT S 100 X 14.1

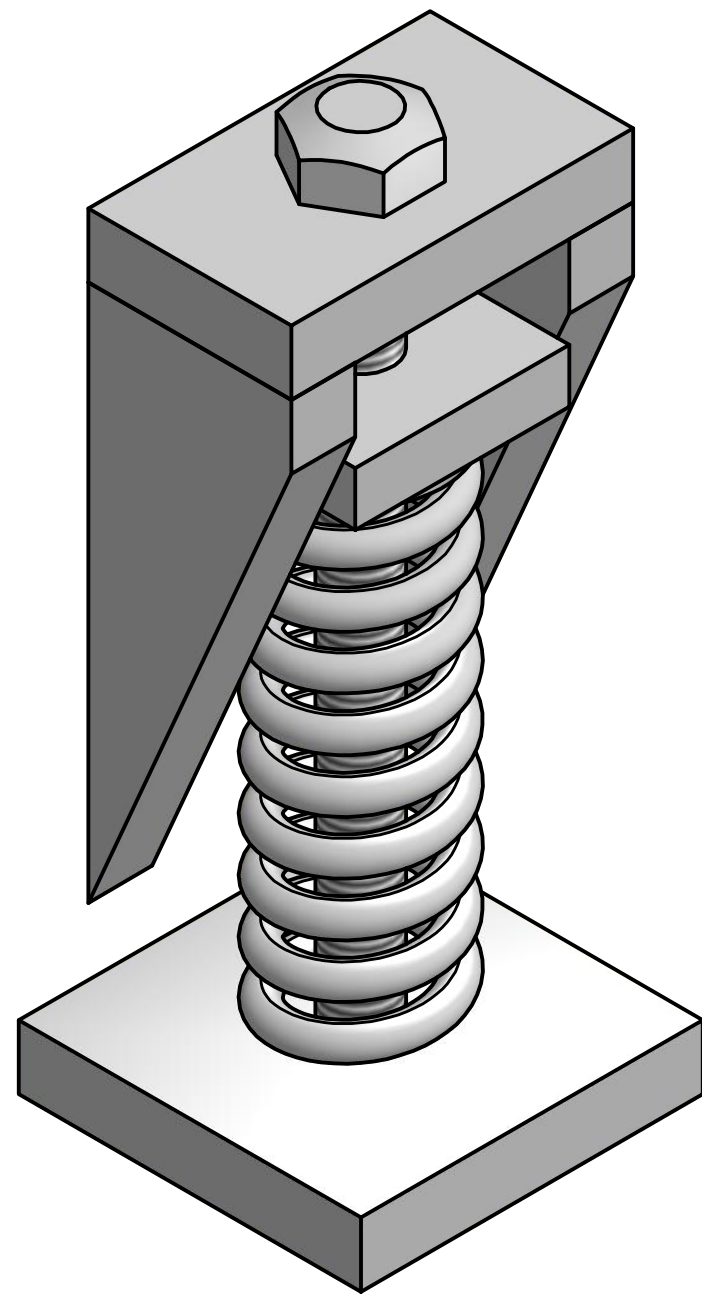
DETAIL B  
SCALE 1 / 2

DETAIL C  
SCALE 1 / 2

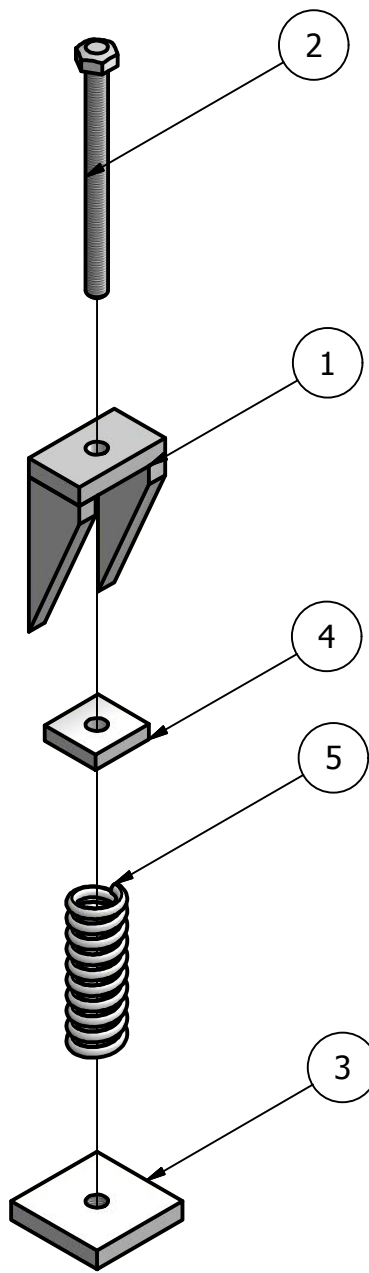
FRAME  
SCALE 1 / 4

NOTE: ALL I-BEAMS S100 X 14.1  
ALL WELDS 1MM FILLET UNLESS OTHER WISE NOTED

DRAWN SPOLZIN	2/18/2010	TITLE  FAN AND MOTOR BASE		
CHECKED				
QA				
MFG				
APPROVED		SIZE B	DWG NO FIG 18-50	REV
		SCALE	SHEET 3 OF 9	



SLF SPRING MOUNTING ASSEMBLY  
SCALE 1 : 1

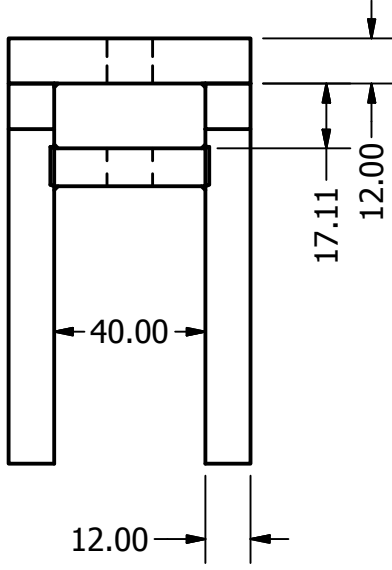
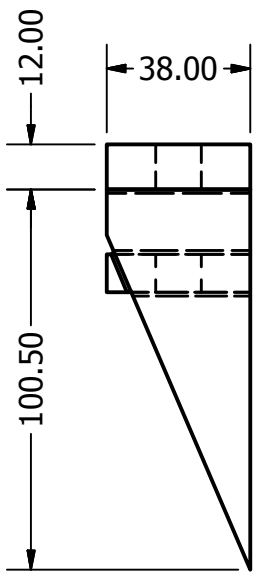
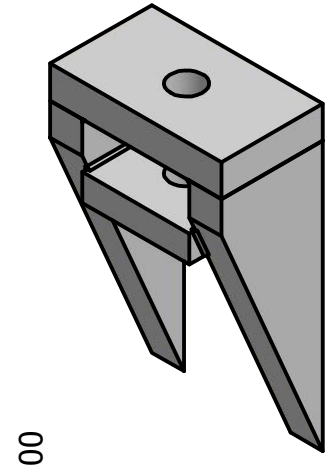
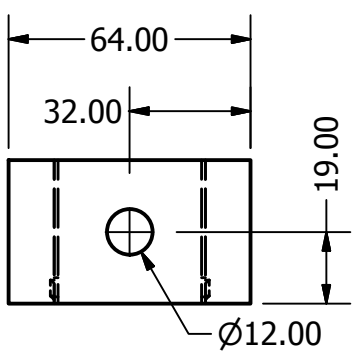


EXPLODED VIEW  
SCALE 1 / 4

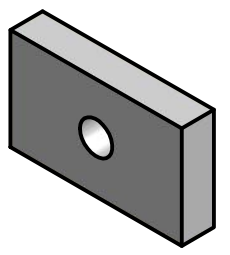
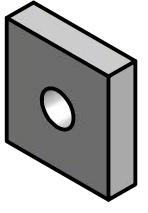
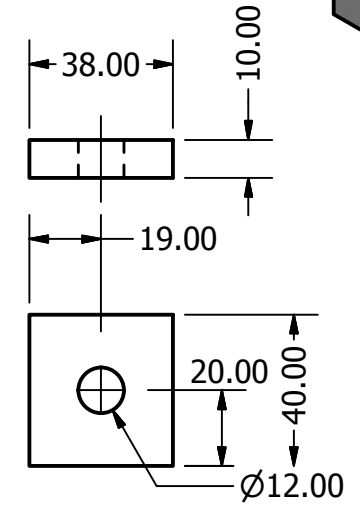
PARTS LIST			
ITEM	QTY	PART NUMBER	DESCRIPTION
1	4	SLF SPRING MOUNTNG BASE	3 PIECE WELDMENT
2	1	BOLT	M12X1.75 - 6G
3	1	BASE PLATE	
4	1	TOP PLATE	
5	1	SPRING	

DRAWN SPOLZIN	2/18/2010	TITLE		
CHECKED				
QA		FAN AND MOTOR BASE		
MFG				
APPROVED		SIZE B	DWG NO FIG 18-50	REV
		SCALE	SHEET 4 OF 9	

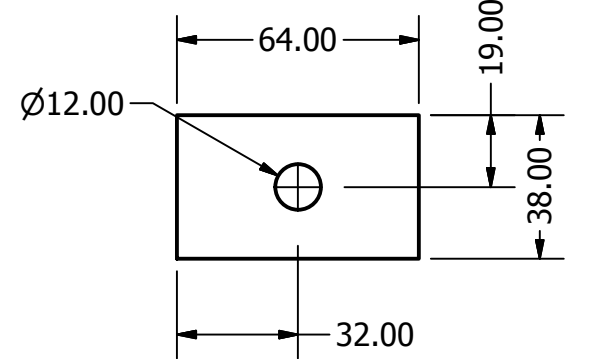
PARTS LIST			
ITEM	QTY	PART NUMBER	DESCRIPTION
1	1	SLF SPRING MOUNTNG BASE	3 PIECE WELDMENT
4	1	TOP PLATE	



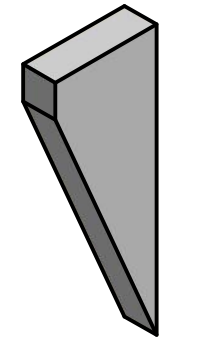
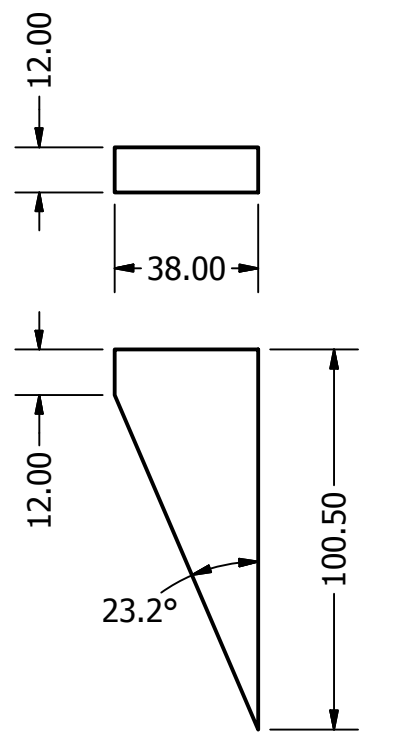
SLF SPRING MOUNING BASE  
SCALE 1 / 2



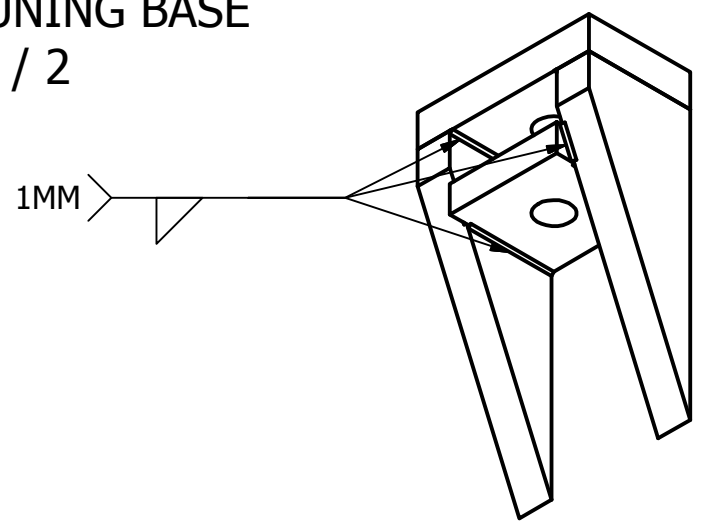
TOP PLATE  
SCALE 1 / 2



TOP PLATE OF BASE WELDMENT  
SCALE 1 / 2

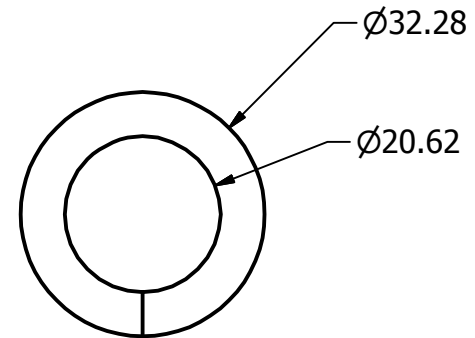
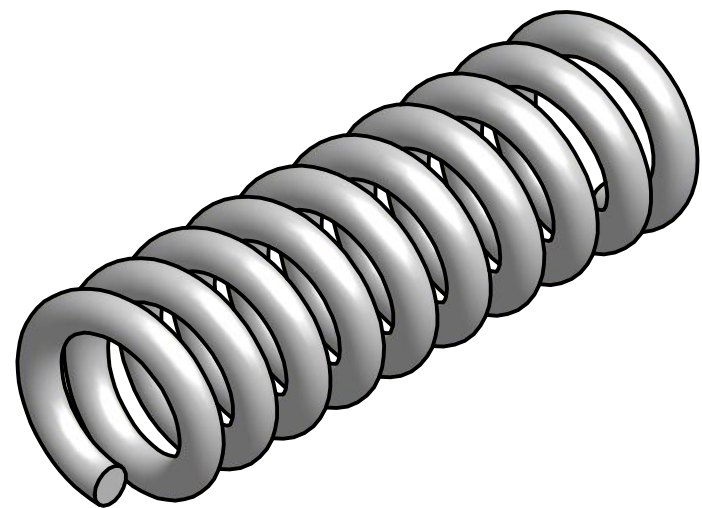


SIDE PLATE OF BASE WELDMENT  
SCALE 1 / 2

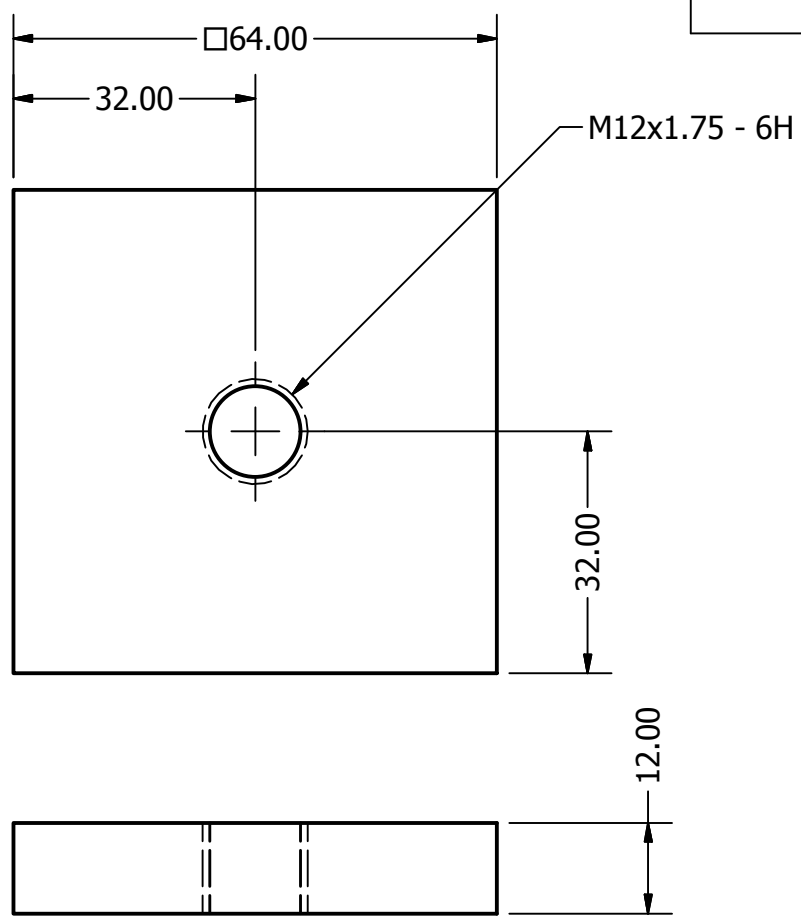
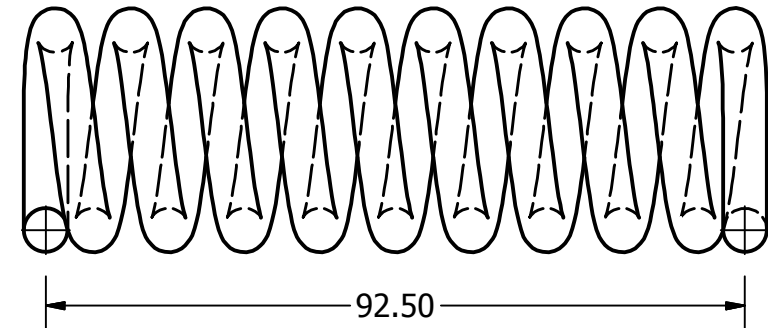


DRAWN SPOLZIN	2/18/2010	TITLE		
CHECKED		FAN AND MOTOR BASE		
QA		SIZE B	DWG NO FIG 18-50	REV
MFG		SCALE		
APPROVED		SHEET 5 OF 9		

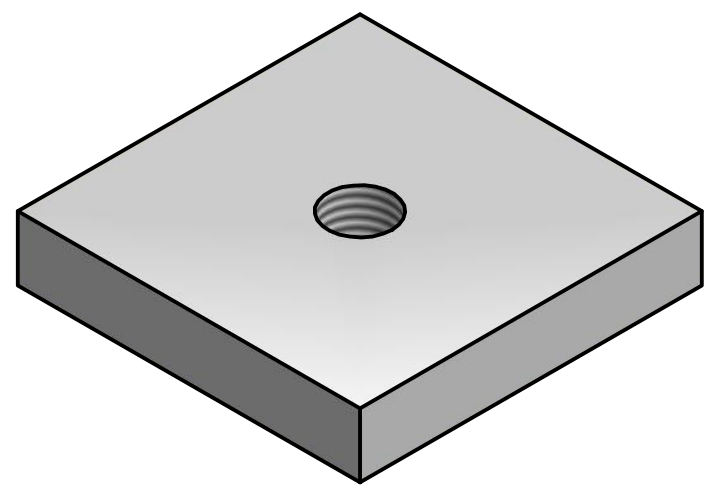
PARTS LIST		
ITEM	QTY	PART NUMBER
3	1	BASE PLATE
4	1	TOP PLATE
5	1	SPRING



SPRING  
SCALE 1 : 1



BASE PLATE  
SCALE 1 : 1



DRAWN	SPOLZIN	2/18/2010		
CHECKED			TITLE	
QA			FAN AND MOTOR BASE	
MFG			SIZE	DWG NO
APPROVED			B	FIG 18-50
			SCALE	REV
				SHEET 6 OF 9