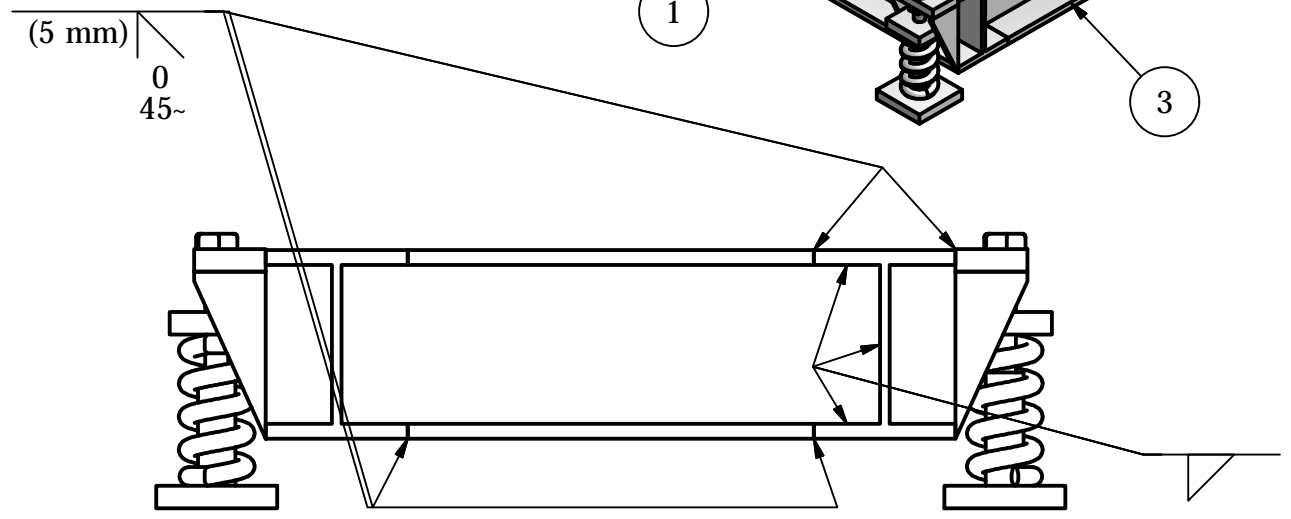


SCALE 1 / 4

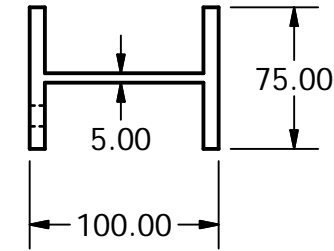
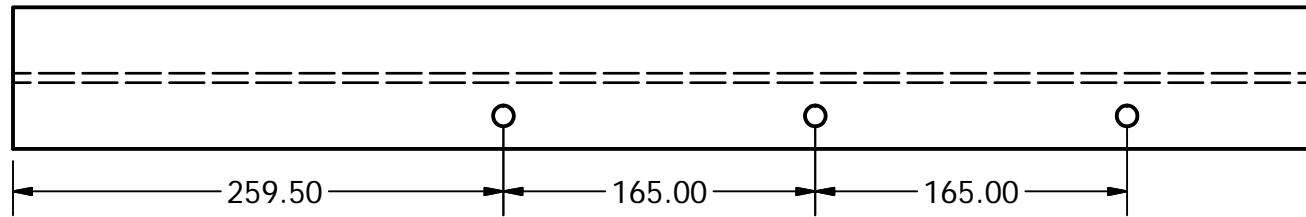
PARTS LIST			
ITEM	QTY	PART NUMBER	SHEET
1	1	LONG BEAM LEFT (PARKER STEEL 100X75)	2
2	1	LONG BEAM RIGHT (PARKER STEEL 100X75)	2
3	1	SHORT BEAM BOTTOM (PARKER STEEL 100X75)	2
4	1	SHORT BEAM MIDDLE (PARKER STEEL 100X75)	2
5	1	SHORT BEAM TOP (PARKER STEEL 100X75)	2
6	4	SPRING MOUNT	3

METRIC

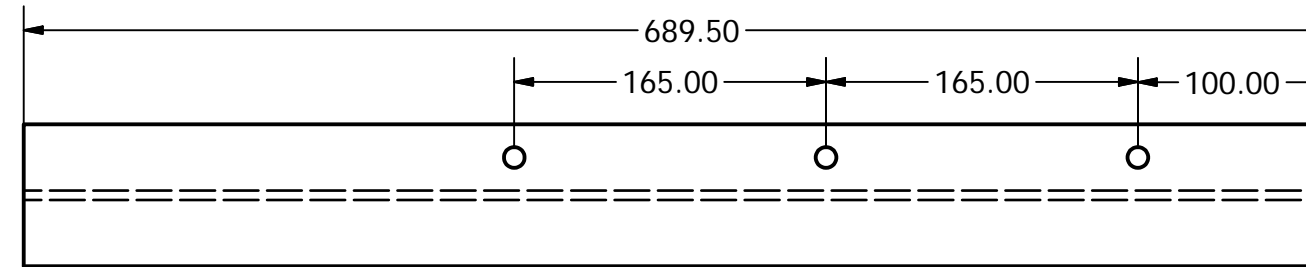


DRAWN PATRICK MURPHY	4/30/2009	DDGT 121	
CHECKED		TITLE	
QA		18-50 FAN AND MOTOR MOUNT	
MFG		SIZE B	DWG NO FIG 18-50
APPROVED		SCALE	REV
		SHEET 1 OF 4	

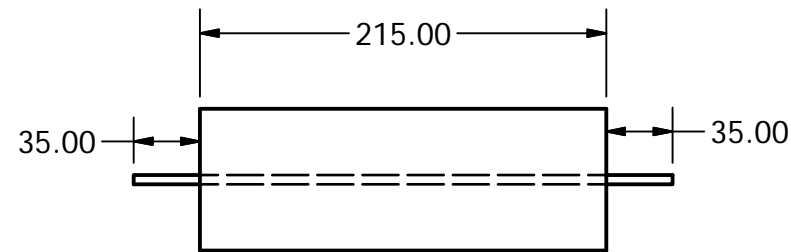
LONG BEAM LEFT  
SCALE 1 / 4



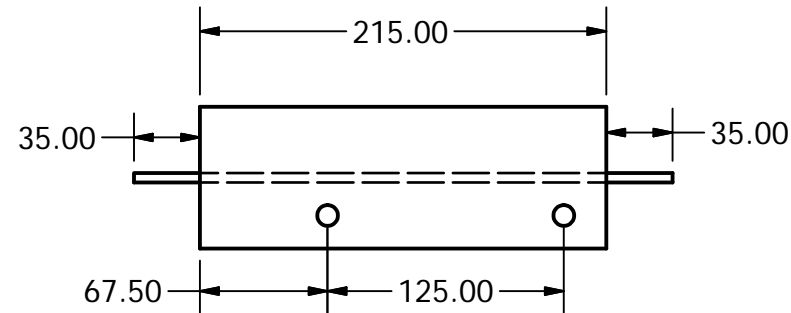
LONG BEAM RIGHT  
SCALE 1 / 4



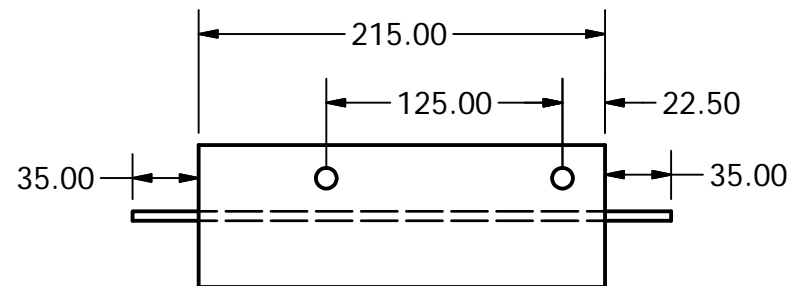
SHORT BEAM BOTTOM  
SCALE 1 / 4



SHORT BEAM MIDDLE  
SCALE 1 / 4

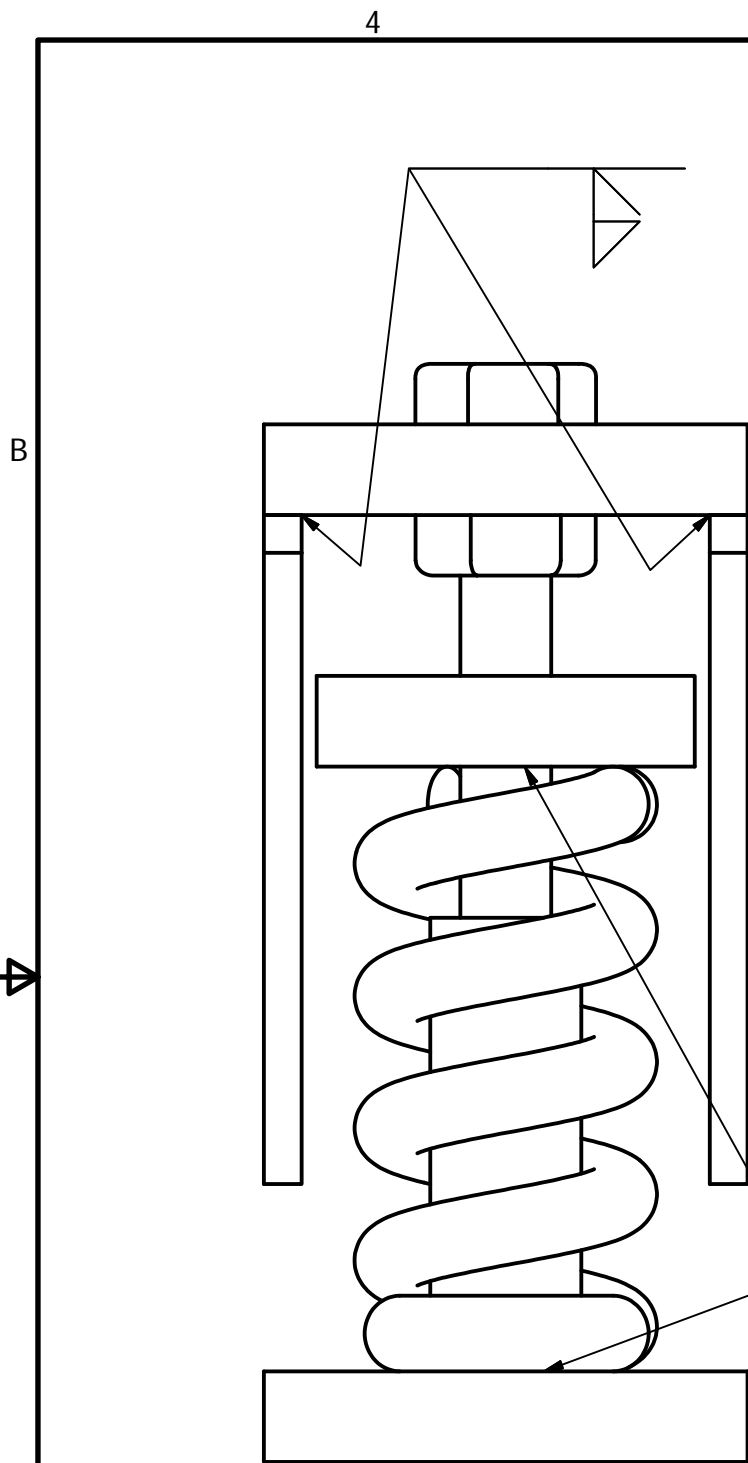


SHORT BEAM TOP  
SCALE 1 / 4

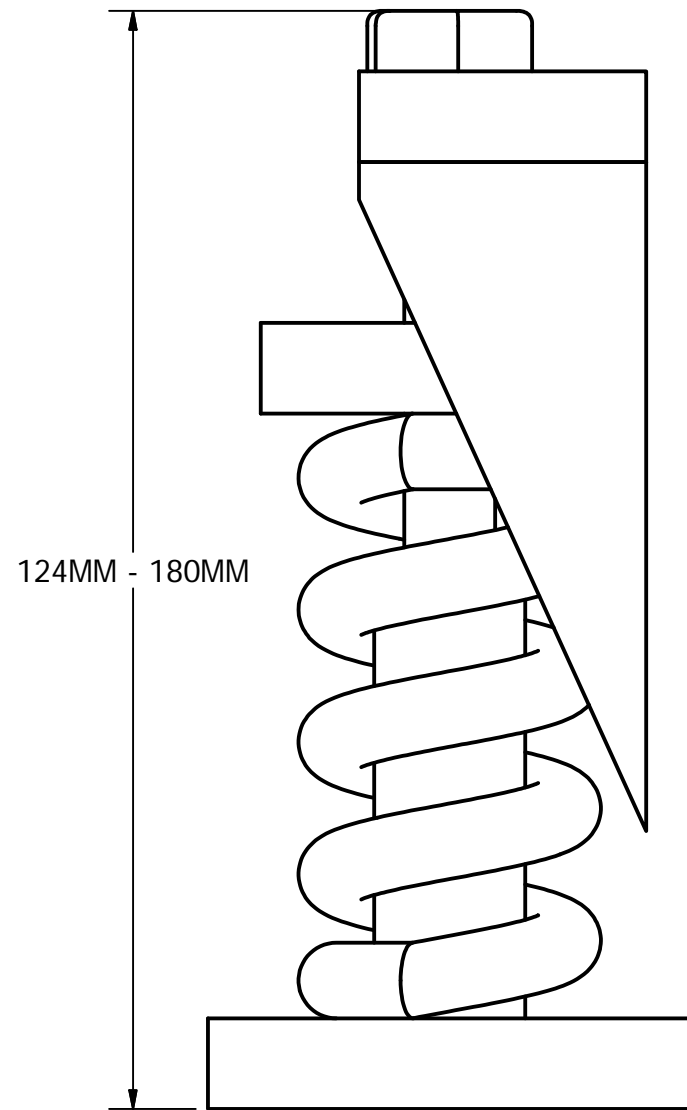


METRIC

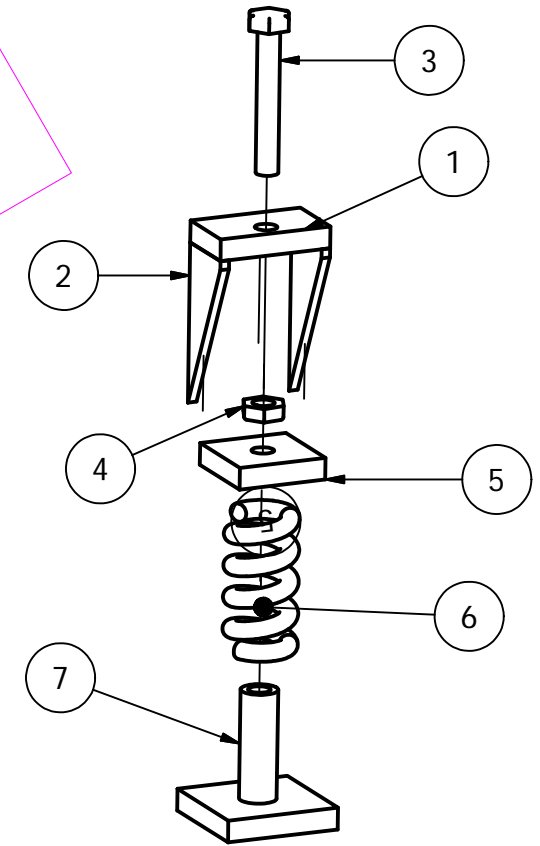
DRAWN PATRICK MURPHY	4/30/2009	DDGT 121		
CHECKED		TITLE		
QA		18-50 FAN AND MOTOR MOUNT		
MFG				
APPROVED				
		SIZE B	DWG NO FIG 18-50	REV
		SCALE	SHEET 2 OF 4	



SCALE 1 : 1

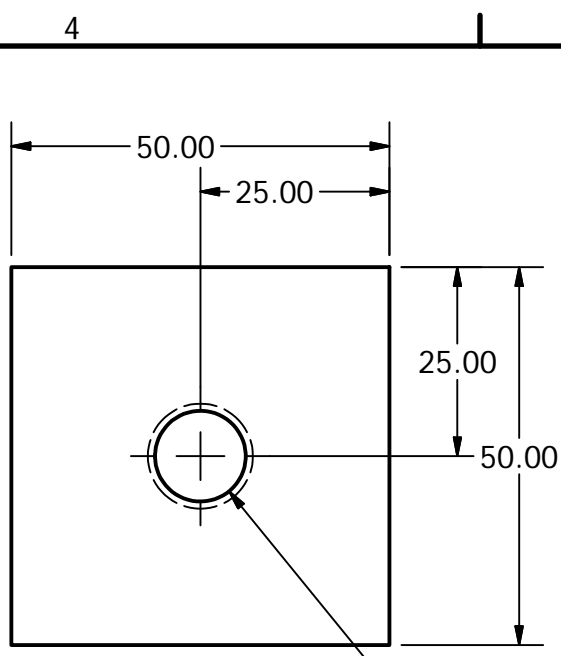


METRIC

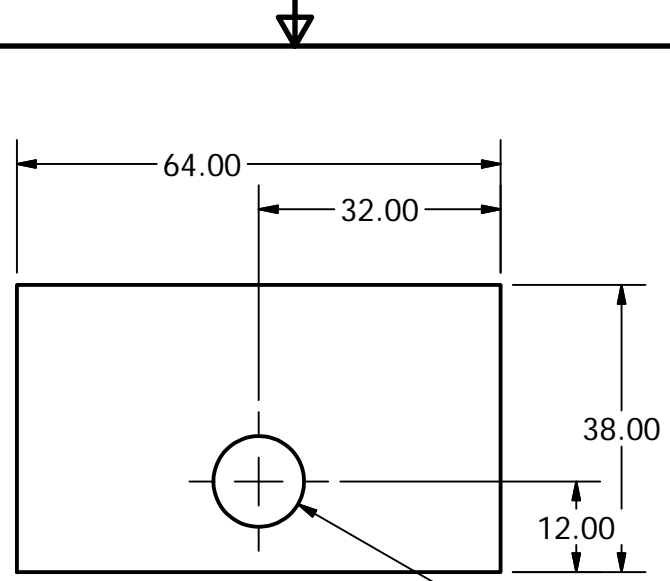
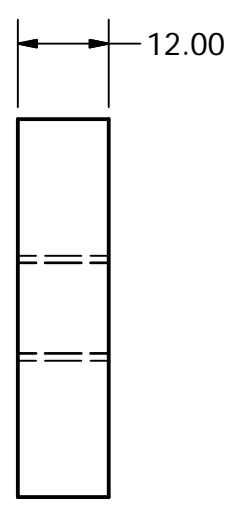


PARTS LIST			
ITEM	QTY	PART NUMBER	SHEET
1	1	SPRING MOUNT TOP	4
2	2	SPRING MOUNT SIDE	4
3	1	BOLT M12X75X80	
4	1	NUT M12X75	
5	1	SPRING CAP	4
6	1	A-625 SPRING (MASON INDUSTRIES)	
7	1	SPRING BASE	4

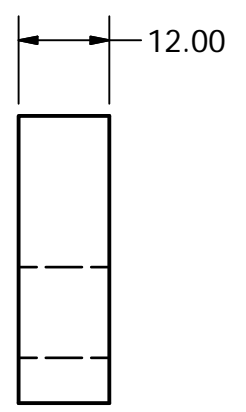
DRAWN PATRICK MURPHY	4/30/2009	DDGT 121	
CHECKED		TITLE	
QA		18-50 FAN AND MOTOR MOUNT	
MFG		SIZE B	DWG NO FIG 18-50
APPROVED		SCALE	REV
			SHEET 3 OF 4



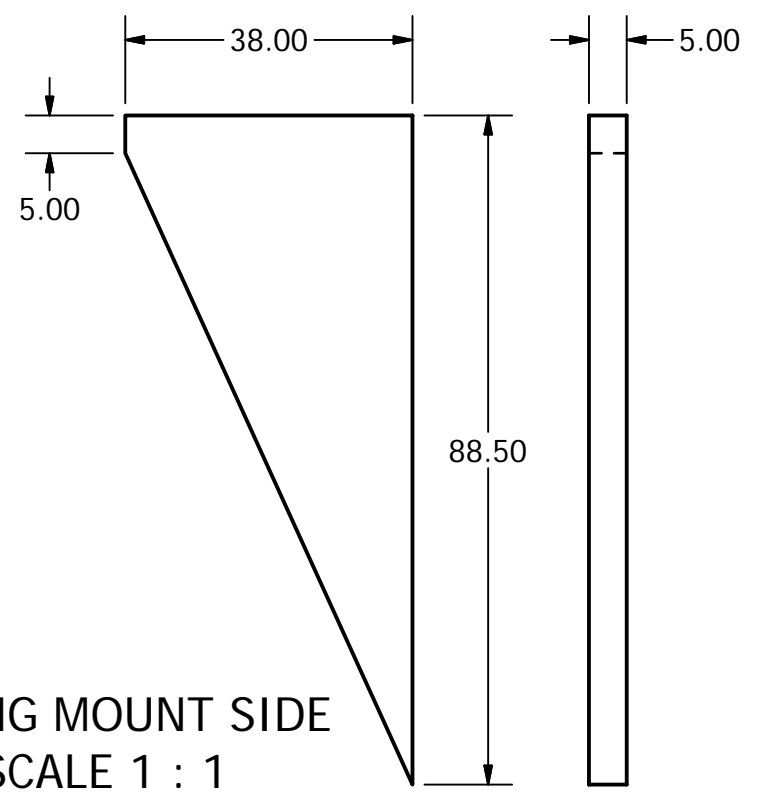
SPRING CAP  
SCALE 1 : 1



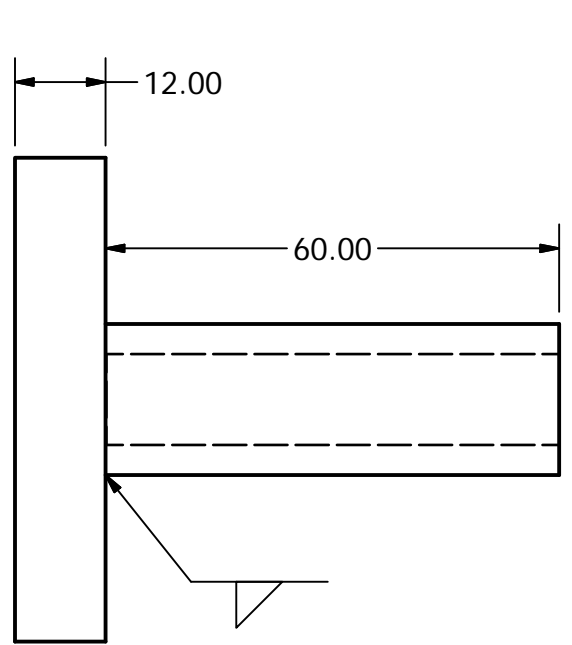
SPRING MOUNT TOP  
SCALE 1 : 1



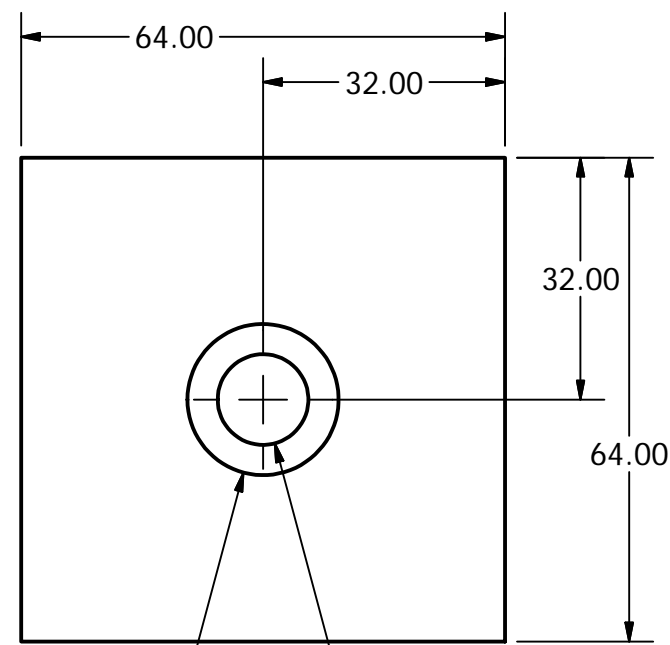
METRIC



SPRING MOUNT SIDE  
SCALE 1 : 1



SPRING BASE  
SCALE 1 : 1



$\varnothing 20.00$   $\varnothing 12.00$

DRAWN	PATRICK MURPHY	4/30/2009	DDGT 121	
CHECKED			TITLE	
QA			18-50 FAN AND MOTOR MOUNT	
MFG			SIZE	DWG NO
APPROVED			B	FIG 18-50
			SCALE	SHEET 4 OF 4
				REV