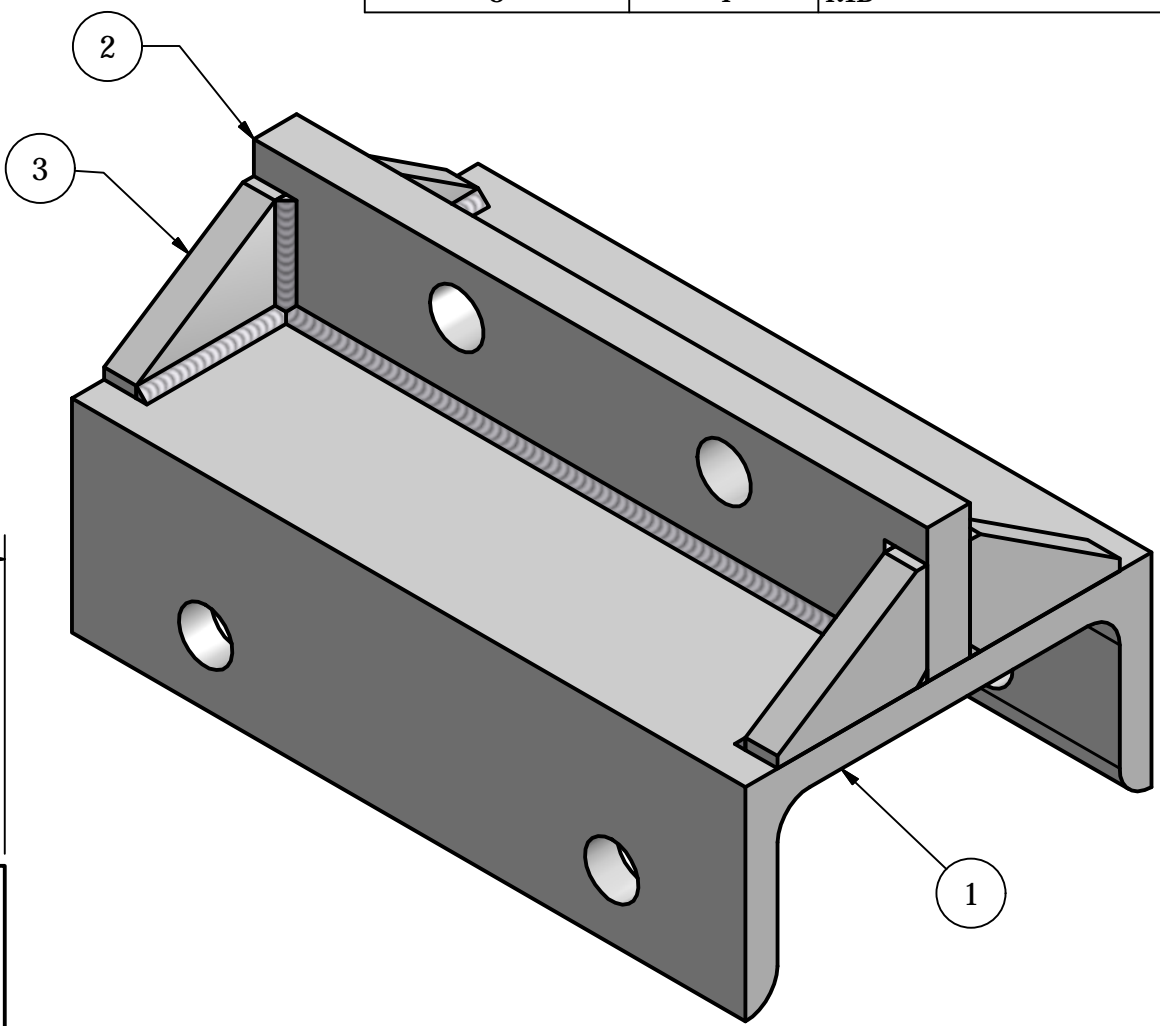
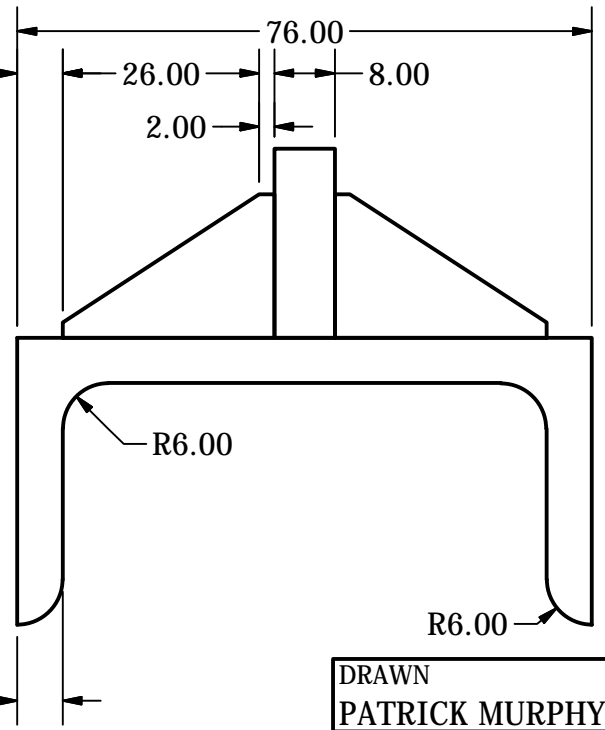
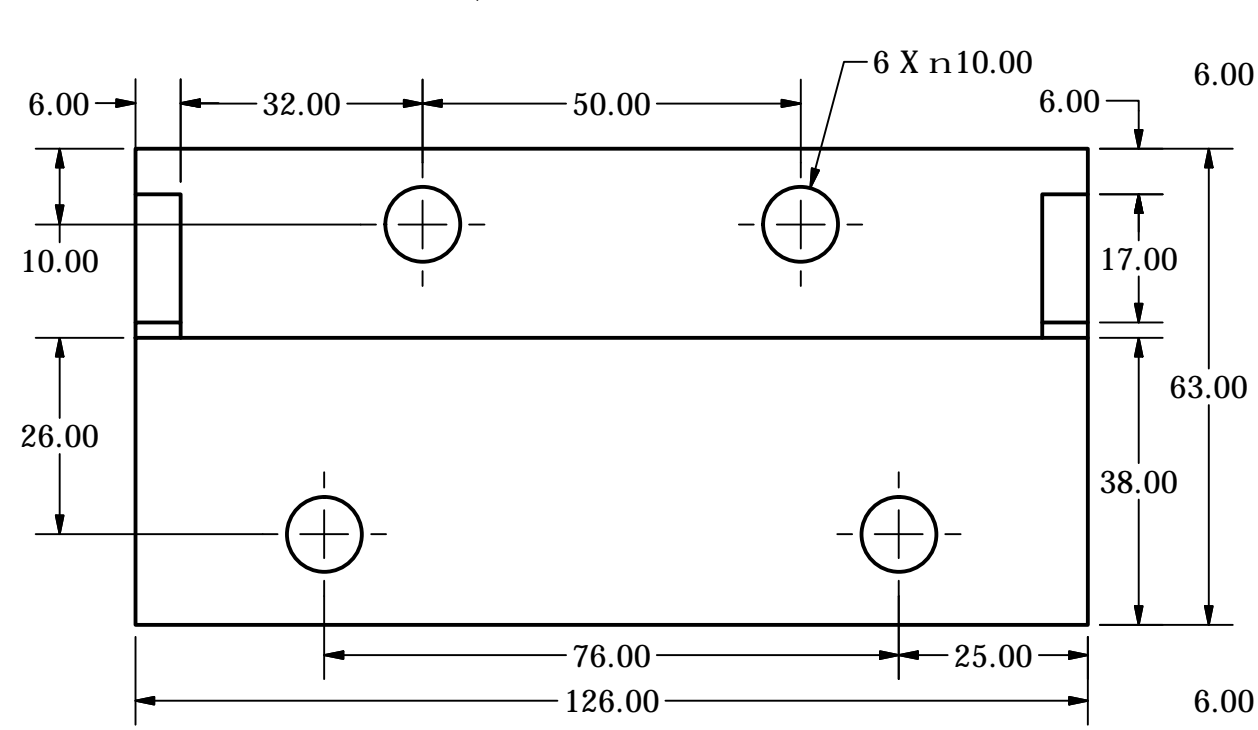
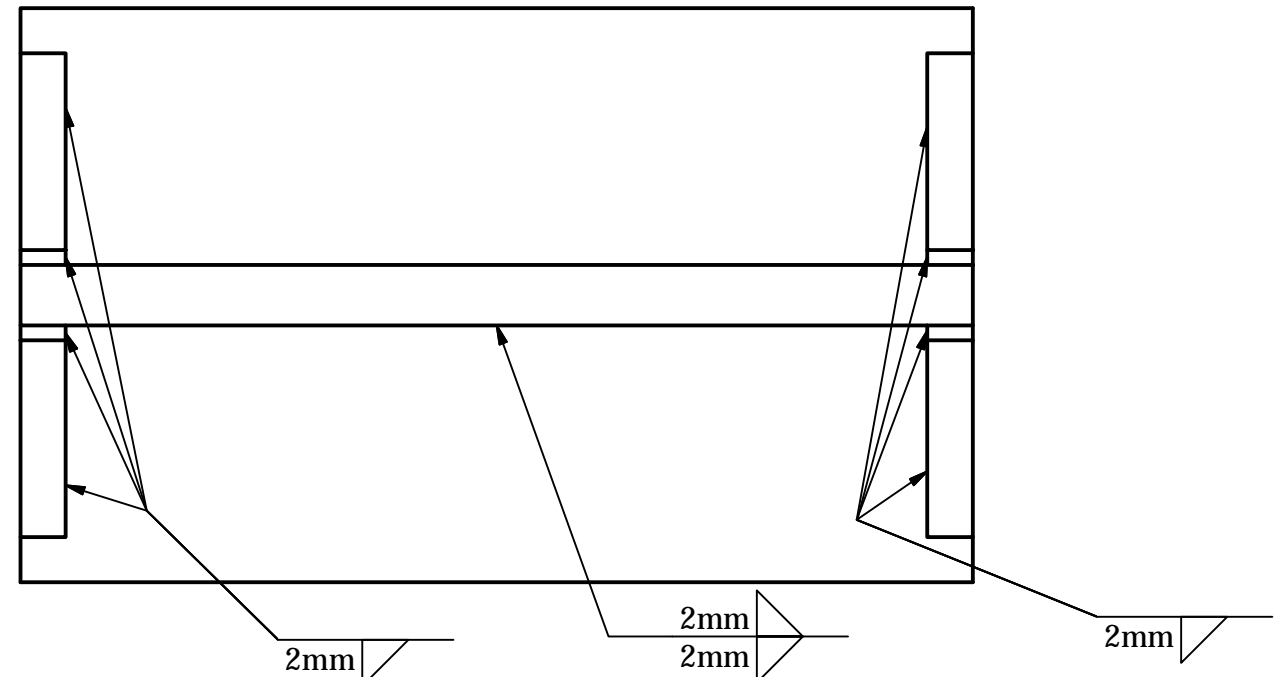


PARTS LIST		
ITEM	QTY	PART NUMBER
1	1	C CHANNEL
2	1	BEAM
3	4	RIB



DRAWN PATRICK MURPHY	4/28/2009	DDGT 121		
CHECKED		TITLE		
QA		18-44 CASTER FRAME		
MFG				
APPROVED				
		SIZE B	DWG NO FIG 18-44	REV
		SCALE 1 : 1	SHEET 1 OF 1	