

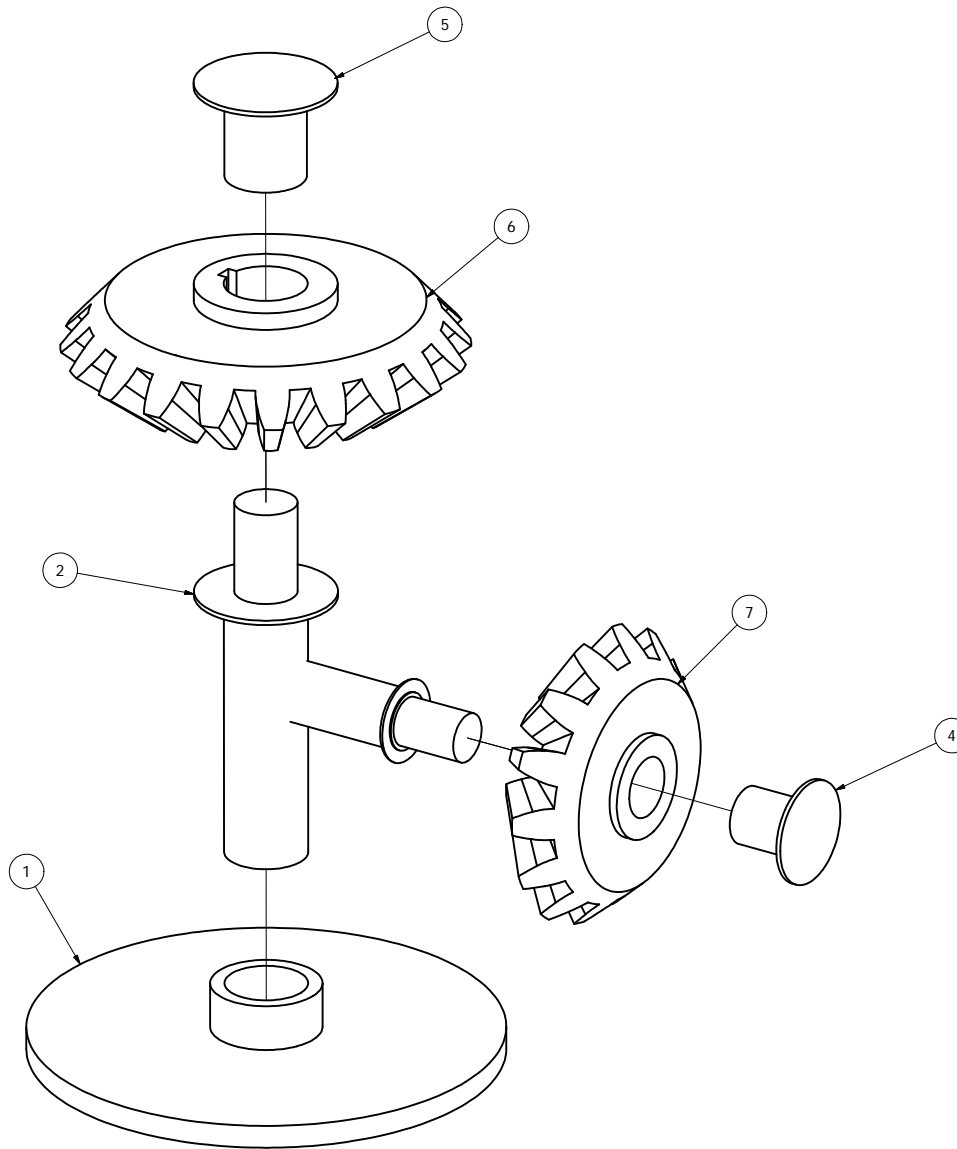
BEVEL GEAR ASSEMBLY  
SCALE 2 : 1



SCALE 1 : 1

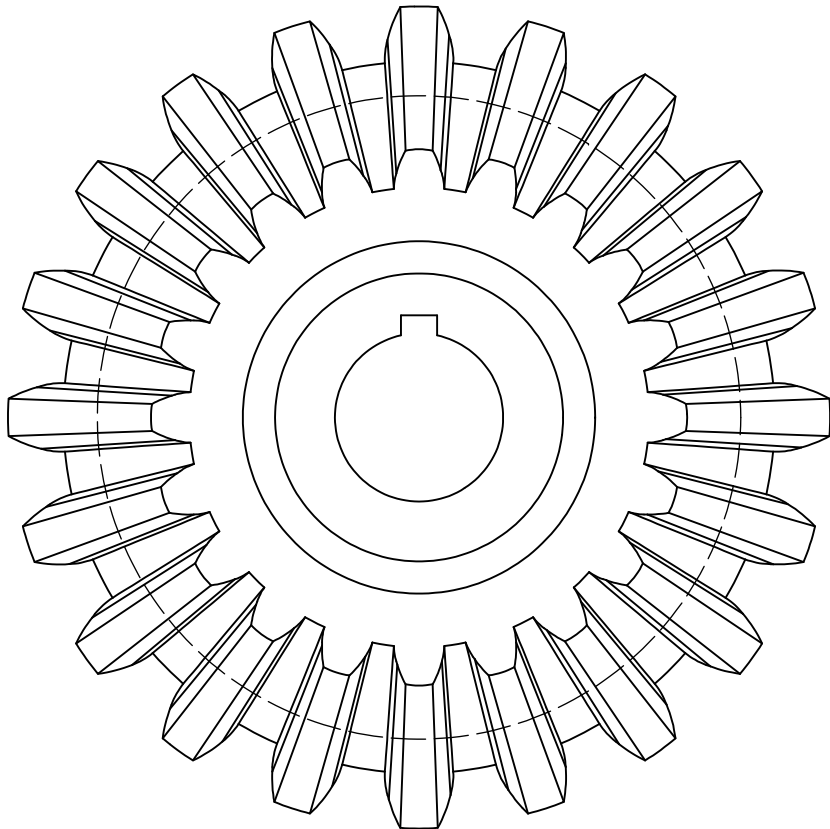
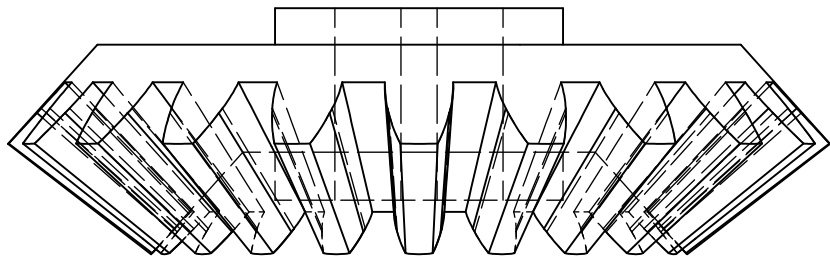
DRAWN	PATRICK MURPHY	9/9/2009	TITLE	
CHECKED			BEVEL GEAR ASSEMBLY	
QA			SIZE	DWG NO
MFG			C	EXTRA_CREDIT_3
APPROVED			SCALE	REV
				SHEET 1 OF 5

PARTS LIST			
ITEM	QTY	PART NUMBER	DESCRIPTION
1	1	BASE	
2	1	SHAFT_NEW	
3	1	SMALL_SHAFT_NEW	
4	1	SMALL_CAP_NEW	
5	1	LARGE_CAP_NEW	
6	1	BEVEL GEAR	
7	1	SMALL_GEAR	

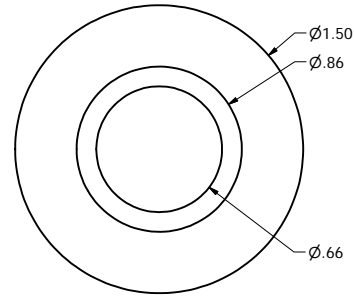


EXPLODED  
SCALE 1 : 1

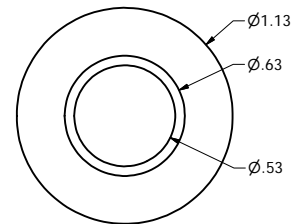
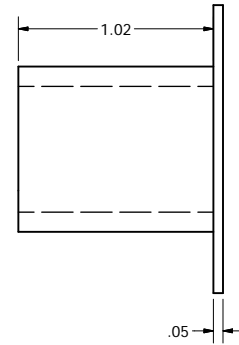
DRAWN	PATRICK MURPHY	9/9/2009		
CHECKED			TITLE	
QA			BEVEL GEAR ASSEMBLY	
MFG				
APPROVED				
	SIZE	DWG NO	REV	
	C	EXTRA_CREDIT_3		
	SCALE	SHEET 2 OF 5		



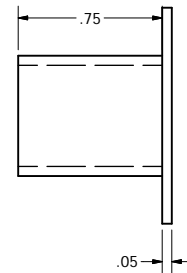
LARGE BEVEL  
SCALE 2 : 1



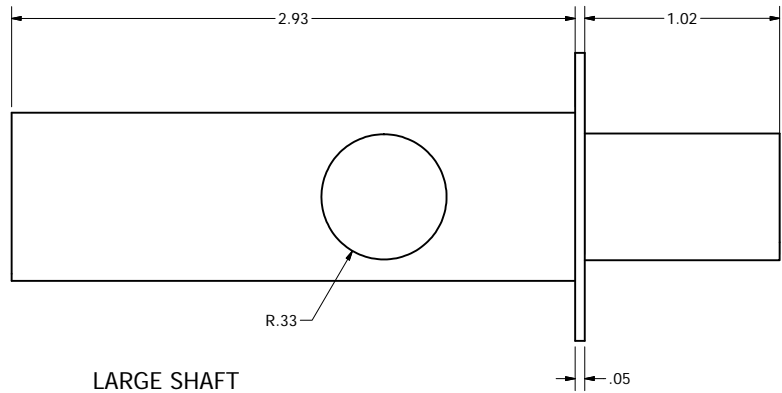
LARGE CAP  
SCALE 2 : 1



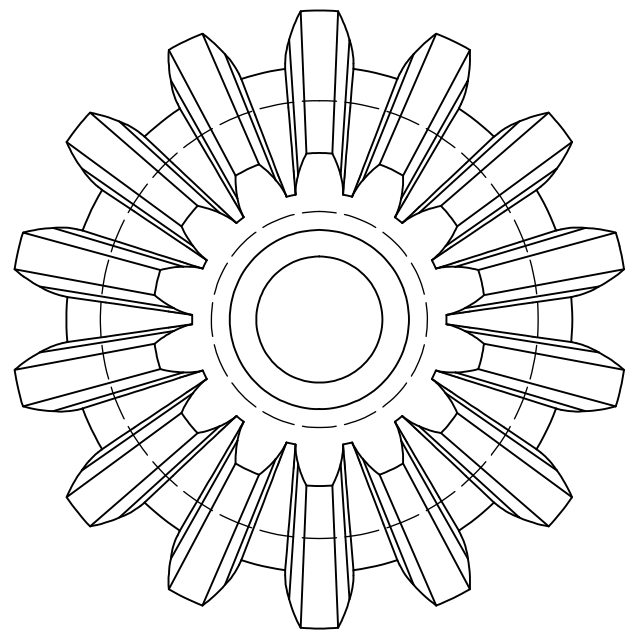
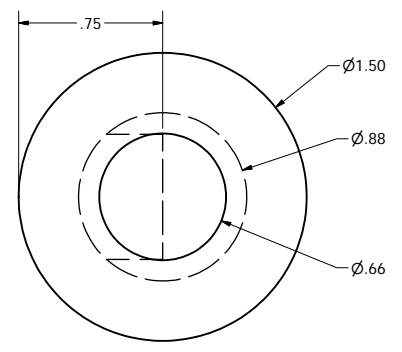
SMALL CAP  
SCALE 2 : 1



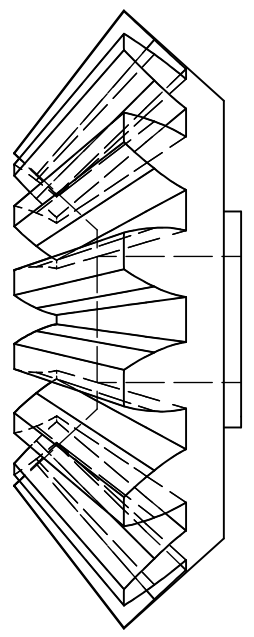
DRAWN	PATRICK MURPHY	9/9/2009	TITLE	
CHECKED			BEVEL GEAR ASSEMBLY	
QA			SIZE	DWG NO
MFG			C	EXTRA_CREDIT_3
APPROVED			SCALE	REV
			SHEET 3 OF 5	



LARGE SHAFT  
SCALE 2 : 1



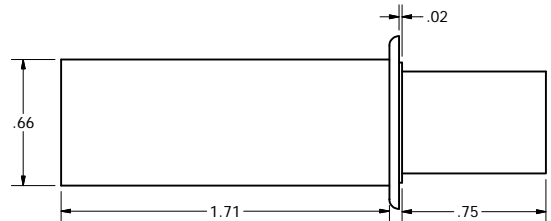
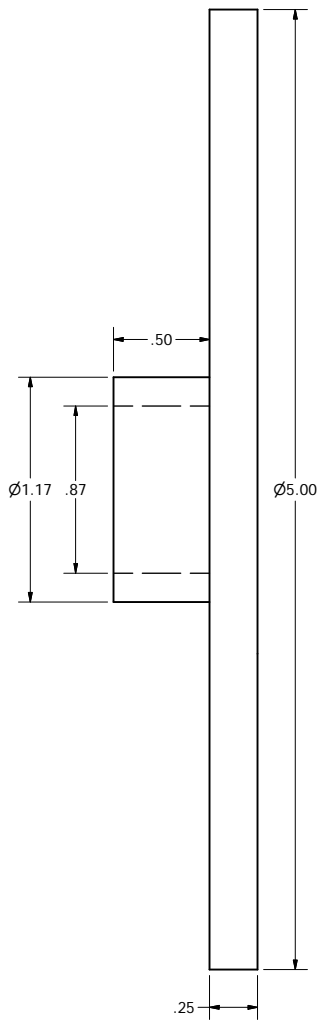
SMALL GEAR  
SCALE 2 : 1



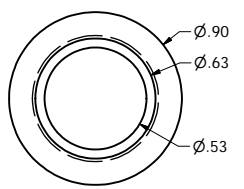
DRAWN PATRICK MURPHY		9/9/2009		TITLE	
CHECKED					
QA				BEVEL GEAR ASSEMBLY	
MFG					
APPROVED					
		SIZE	DWG NO	REV	
		C	EXTRA_CREDIT_3		
		SCALE	SHEET 4 OF 5		



BASE  
SCALE 2 : 1



SMALL SHAFT  
SCALE 2 : 1



DRAWN	PATRICK MURPHY	9/9/2009		
CHECKED			TITLE	
QA			BEVEL GEAR ASSEMBLY	
MFG			SIZE	DWG NO
APPROVED			C	EXTRA_CREDIT_3
			SCALE	REV
				SHEET 5 OF 5