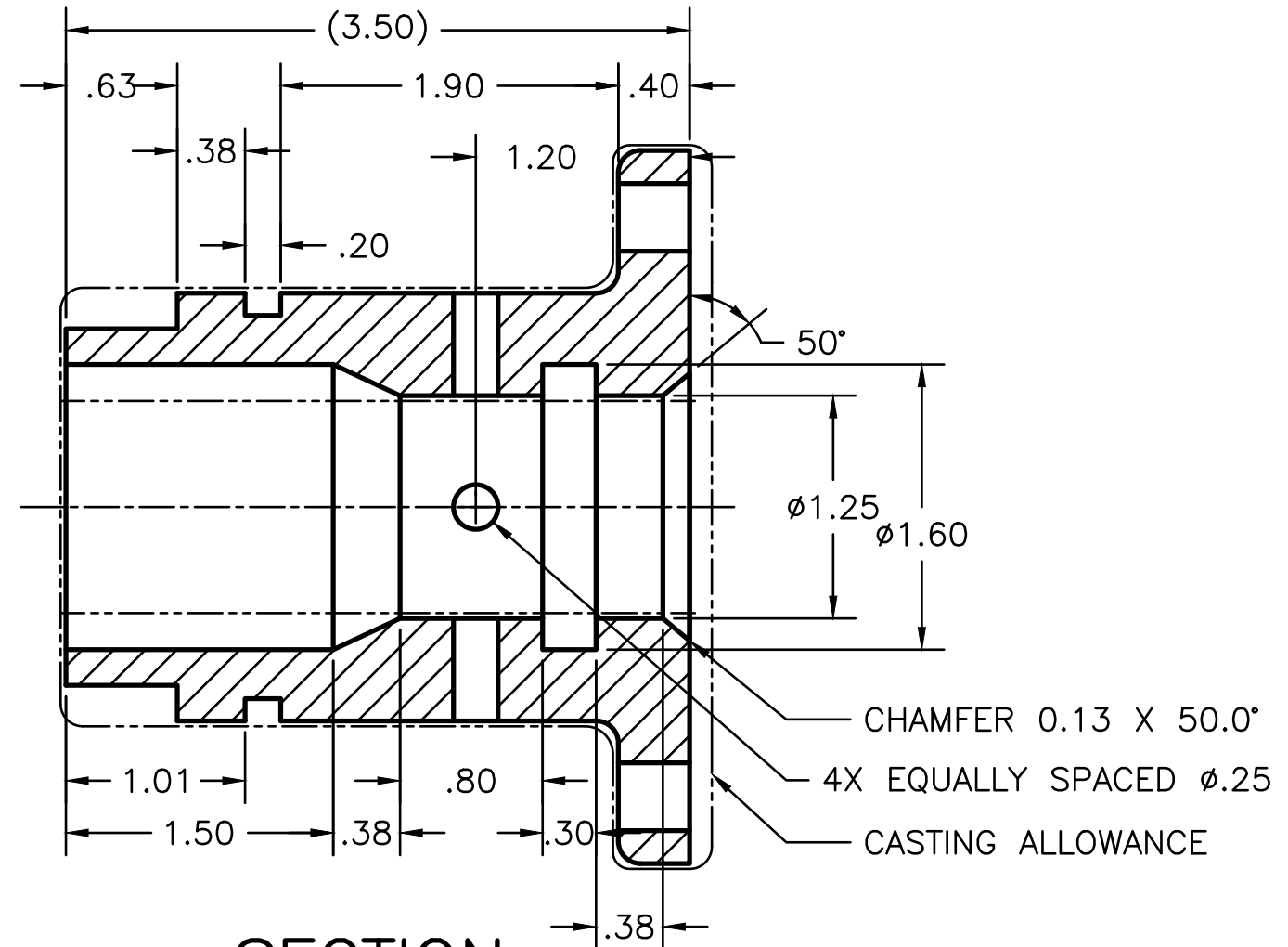
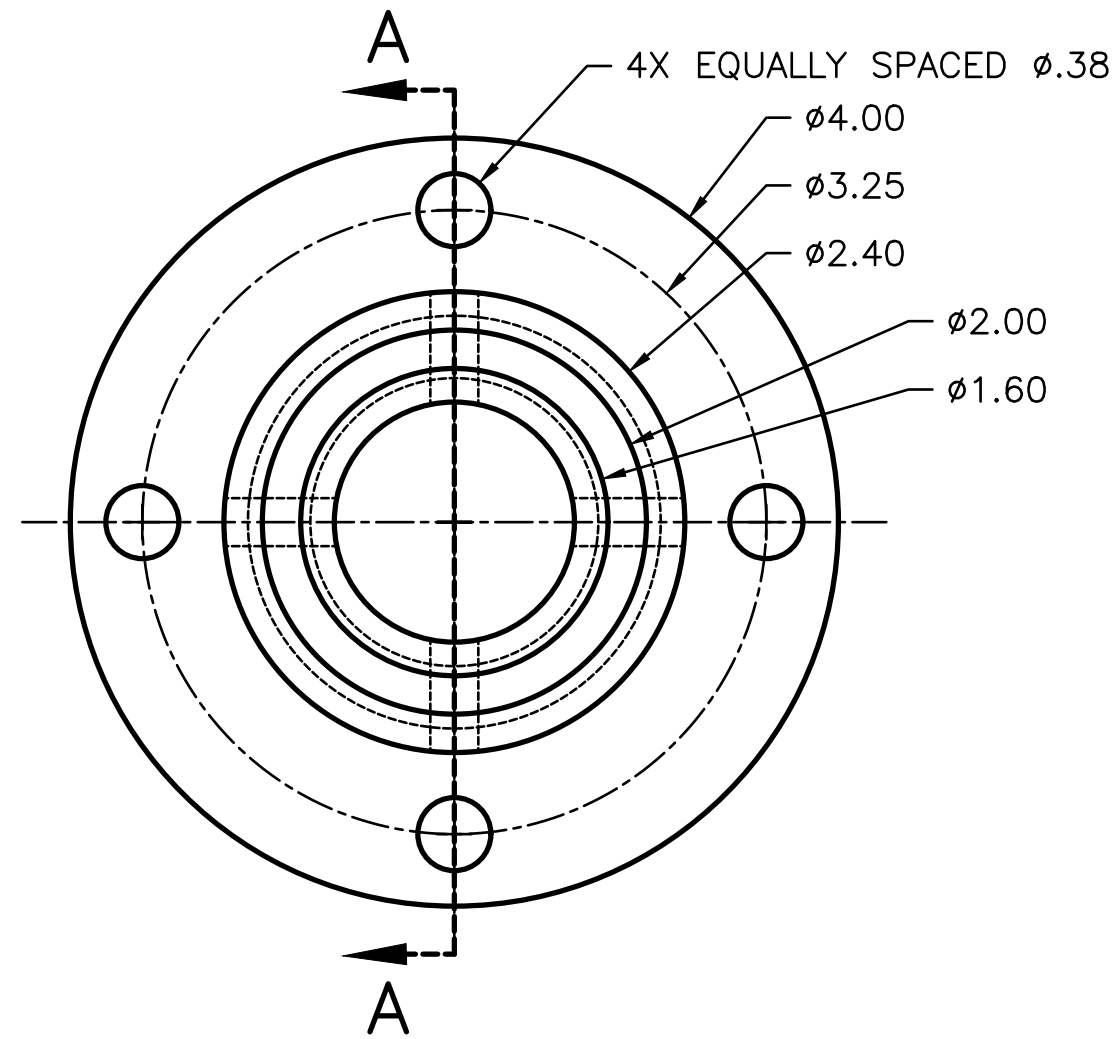


PARTS LIST

ITEM.	QTY.	PART NAME
1	1	CONNECTOR

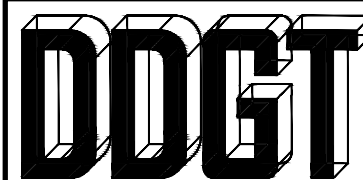


SECTION
A-A

LEGEND:

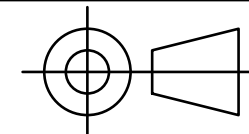
- ° DEGREES
- R RADIUS
- ϕ DIAMETER

GENERAL NOTES:
ALL ROUNDS AND FILLETS R $\frac{1}{8}$



DIGITAL DESIGN
GRAPHICS
TECHNOLOGY

DDGT.NET



TOLERANCES UNLESS SPECIFIED:
DECIMAL INCHES:
X = \pm .020
XX = \pm .010
XXX = \pm .005
FRACTIONAL \pm 1/64"
ANGLES \pm 1°
SURFACES $\sqrt{32}$

COURSE: DDGT 121

AUTOCAD DRAWING NAME:

CONNECTOR

FIG #: 11-48

DRAFTER: NEIL SCHAFER

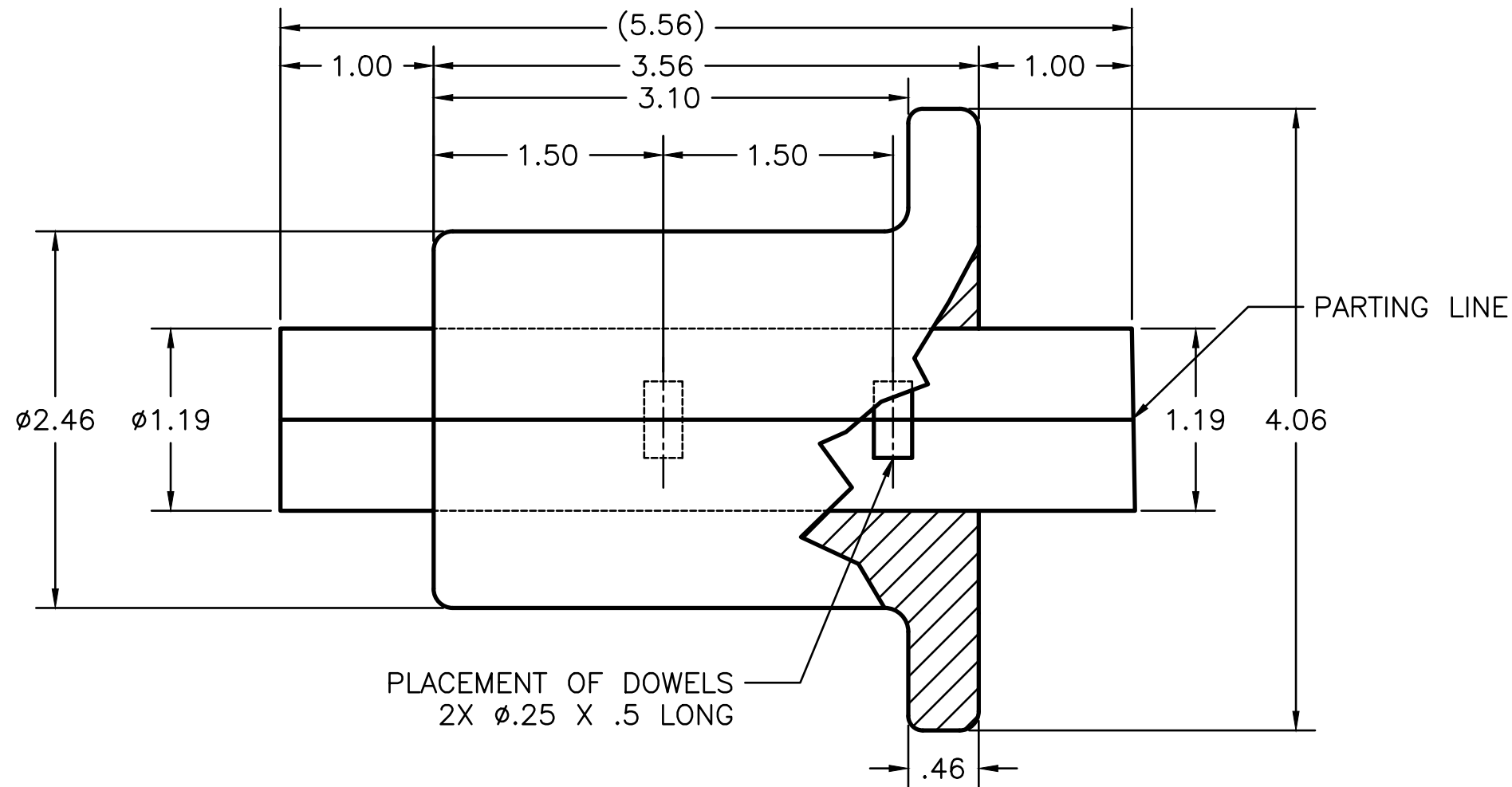
DATE: 5/23/2018

SCALE: 1:1

PAGE #: 2 OF 3

PARTS LIST

ITEM.	QTY.	PART NAME
1	1	CONNECTOR



PATTERN DRAWING

LEGEND:

- ° DEGREES
- R RADIUS
- ϕ DIAMETER

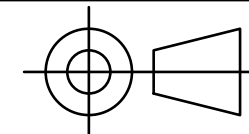
GENERAL NOTES:

ALL ROUNDS AND FILLETS R $\frac{1}{8}$



DIGITAL DESIGN
GRAPHICS
TECHNOLOGY

DDGT.NET



TOLERANCES UNLESS SPECIFIED:
 DECIMAL INCHES:
 X = $\pm .020$
 XX = $\pm .010$
 XXX = $\pm .005$
 FRACTIONAL $\pm 1/64$ "
 ANGLES $\pm 1^\circ$
 SURFACES $\frac{32}{\sqrt{\quad}}$

COURSE: DDGT 121

AUTOCAD DRAWING NAME:

CONNECTOR

FIG #: 11-48

DRAFTER: NEIL SCHAFER

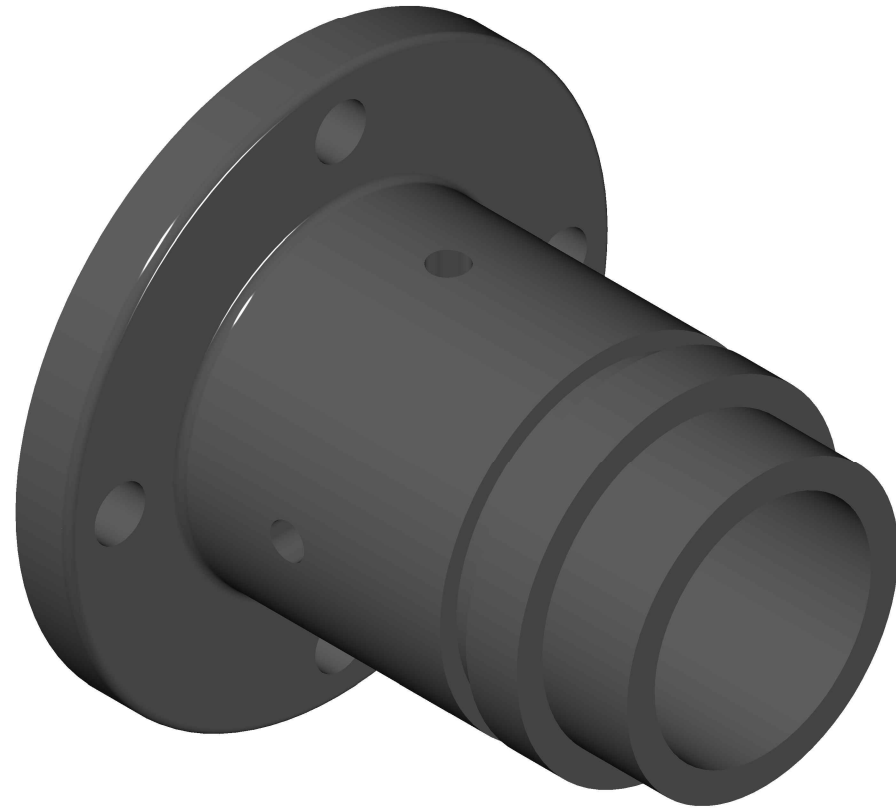
DATE: 5/23/2018

SCALE: 1:1

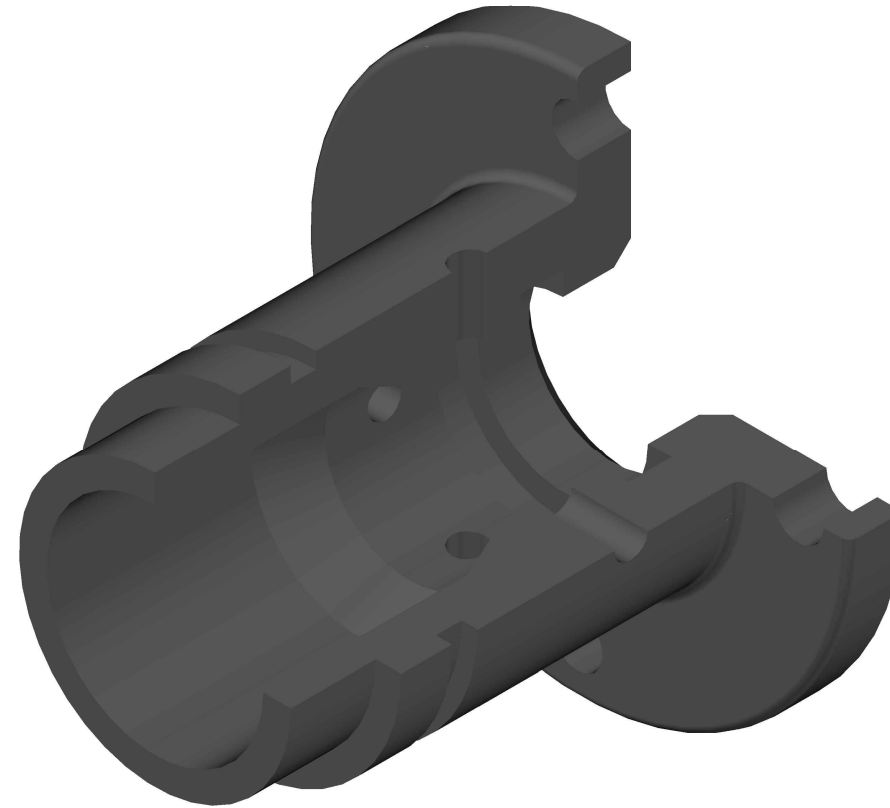
PAGE #: 3 OF 3

PARTS LIST

ITEM.	QTY.	PART NAME	MATERIAL
1	1	CONNECTOR	SAE 1120



CONNECTOR

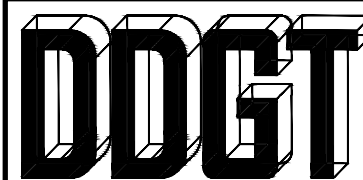


CONNECTOR
3/4 SECTION

LEGEND:

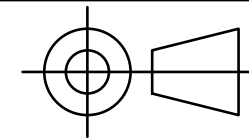
- ° DEGREES
- R RADIUS
- ∅ DIAMETER

GENERAL NOTES:
ALL ROUNDS AND FILLETS R 1/8



DIGITAL DESIGN
GRAPHICS
TECHNOLOGY

DDGT.NET



TOLERANCES UNLESS SPECIFIED:
DECIMAL INCHES:
X = ±.020
XX = ±.010
XXX = ±.005
FRACTIONAL ±1/64"
ANGLES ±1°
SURFACES 32/

COURSE: DDGT 121

AUTOCAD DRAWING NAME:
CONNECTOR

FIG #: 11-48

DRAFTER: NEIL SCHAFER

DATE: 5/23/2018

SCALE: 1:1

PAGE #: 1 OF 3