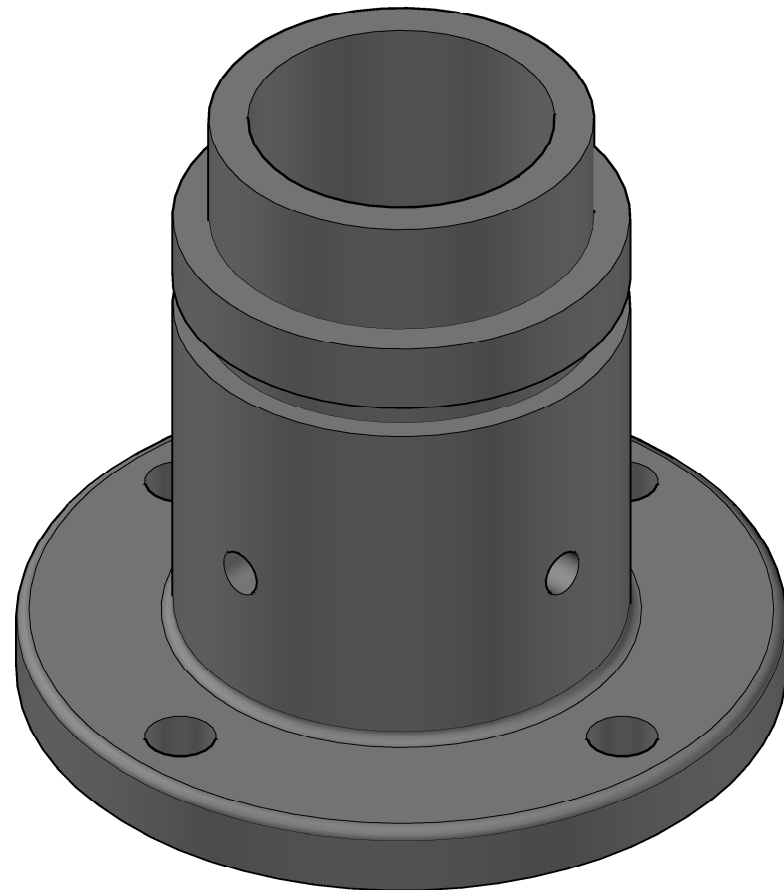


PARTS LIST

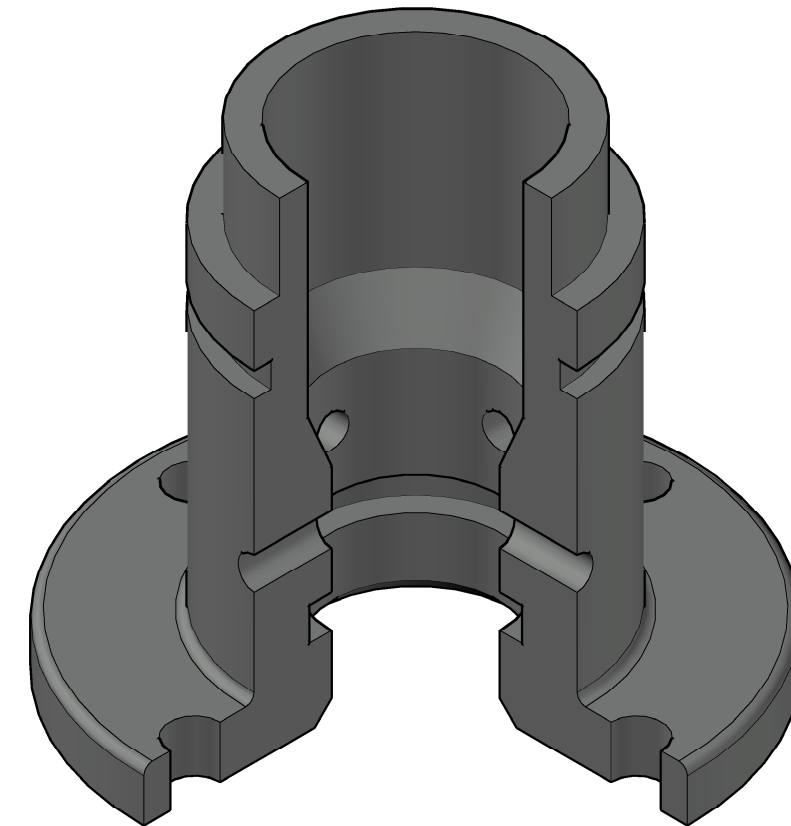
ITEM	QTY.	PART NAME	MATERIAL
1	1	CONNECTOR	SAE 1110

LEGEND:

∅ DIAMETER
 R RADIUS
 ° DEGREES



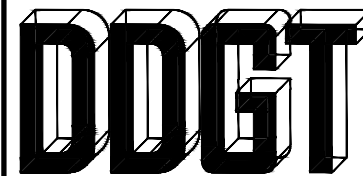
CONNECTOR
SCALE 1:1



CONNECTOR 3/4
SECTION VIEW

GENERAL NOTES:

- ALL ROUNDS AND FILLETS R 0.625 UNLESS OTHERWISE SPECIFIED
- DRAFTING ANGLE ON INTERNAL SURFACES 2° AND EXTERNAL SURFACES 1° UNLESS OTHERWISE SPECIFIED



DIGITAL DESIGN
GRAPHICS
TECHNOLOGY

WWW.DDGT.NET

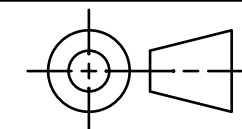


NICHOLAS RODRIGUEZ
DRAFTING AND DESIGN

(707)-561-2948

RODRIGUEZNICHOLAS989@GMAIL.COM

WWW.DDGT.NET/STUDENTPAGES/NRODRIGUEZ



TOLERANCES UNLESS SPECIFIED:

DECIMAL INCHES:

X = ±.020

XX = ±.010

XXX = ±.005

FRACTIONAL ±1/64"

ANGLES ±1 DEGREE

SURFACES 32/

COURSE: DDGT121

AUTOCAD DRAWING NAME:
CONNECTOR

FIG #: 13-48

DRAFTER: N. RODRIGUEZ

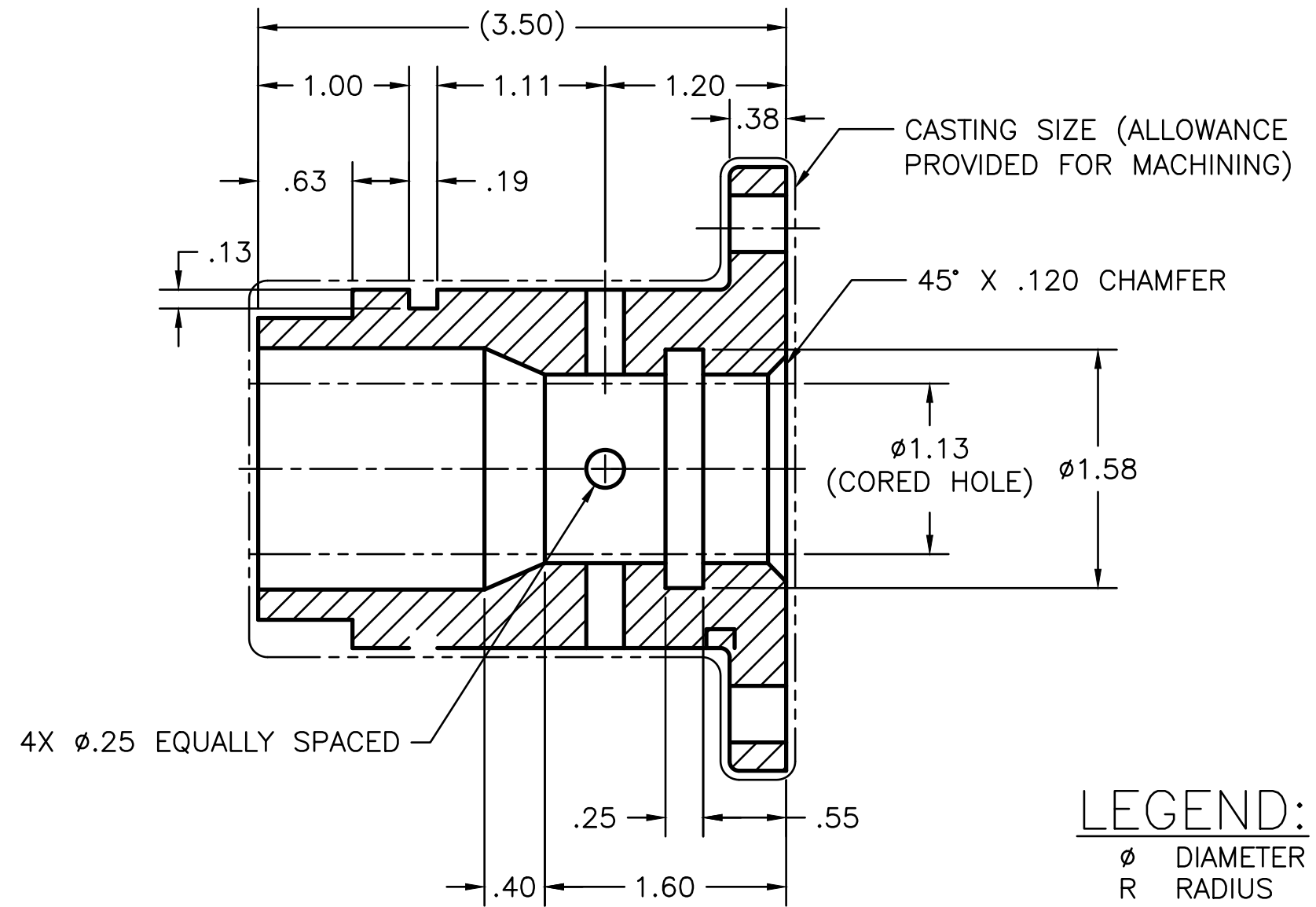
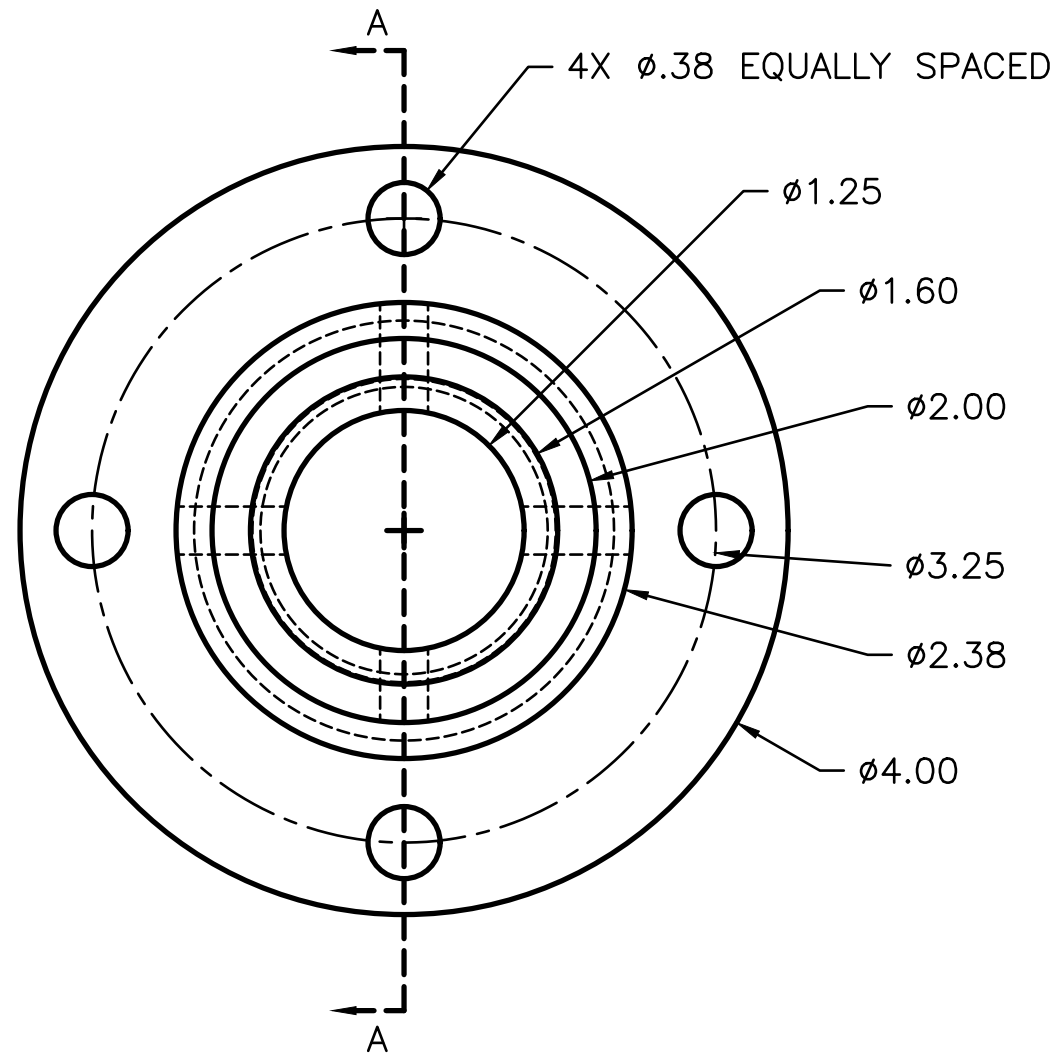
DATE: 5/12/2021

SCALE: AS NOTED

PAGE #: 1 OF 3

PARTS LIST

ITEM	QTY.	PART NAME	MATERIAL
1	1	CONNECTOR	SAE 1110



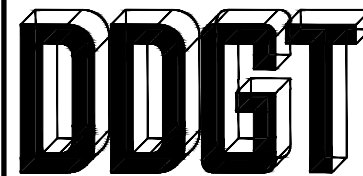
SECTION A-A

LEGEND:

- Ø DIAMETER
- R RADIUS
- ° DEGREES

GENERAL NOTES:

- ALL ROUNDS AND FILLETS R 0.625 UNLESS OTHERWISE SPECIFIED
- DRAFTING ANGLE ON INTERNAL SURFACES 2° AND EXTERNAL SURFACES 1° UNLESS OTHERWISE SPECIFIED



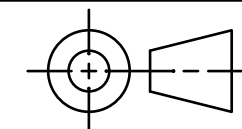
DIGITAL DESIGN
GRAPHICS
TECHNOLOGY

WWW.DDGT.NET



NICHOLAS RODRIGUEZ
DRAFTING AND DESIGN

(707)-561-2948
RODRIGUEZNICHOLAS989@GMAIL.COM
WWW.DDGT.NET/STUDENTPAGES/NRODRIGUEZ



TOLERANCES UNLESS SPECIFIED:
DECIMAL INCHES:
X = ±.020
XX = ±.010
XXX = ±.005
FRACTIONAL ±1/64"
ANGLES ±1 DEGREE
SURFACES 32/

COURSE: DDGT121

AUTOCAD DRAWING NAME:
CONNECTOR

FIG #: 13-48

DRAFTER: N. RODRIGUEZ

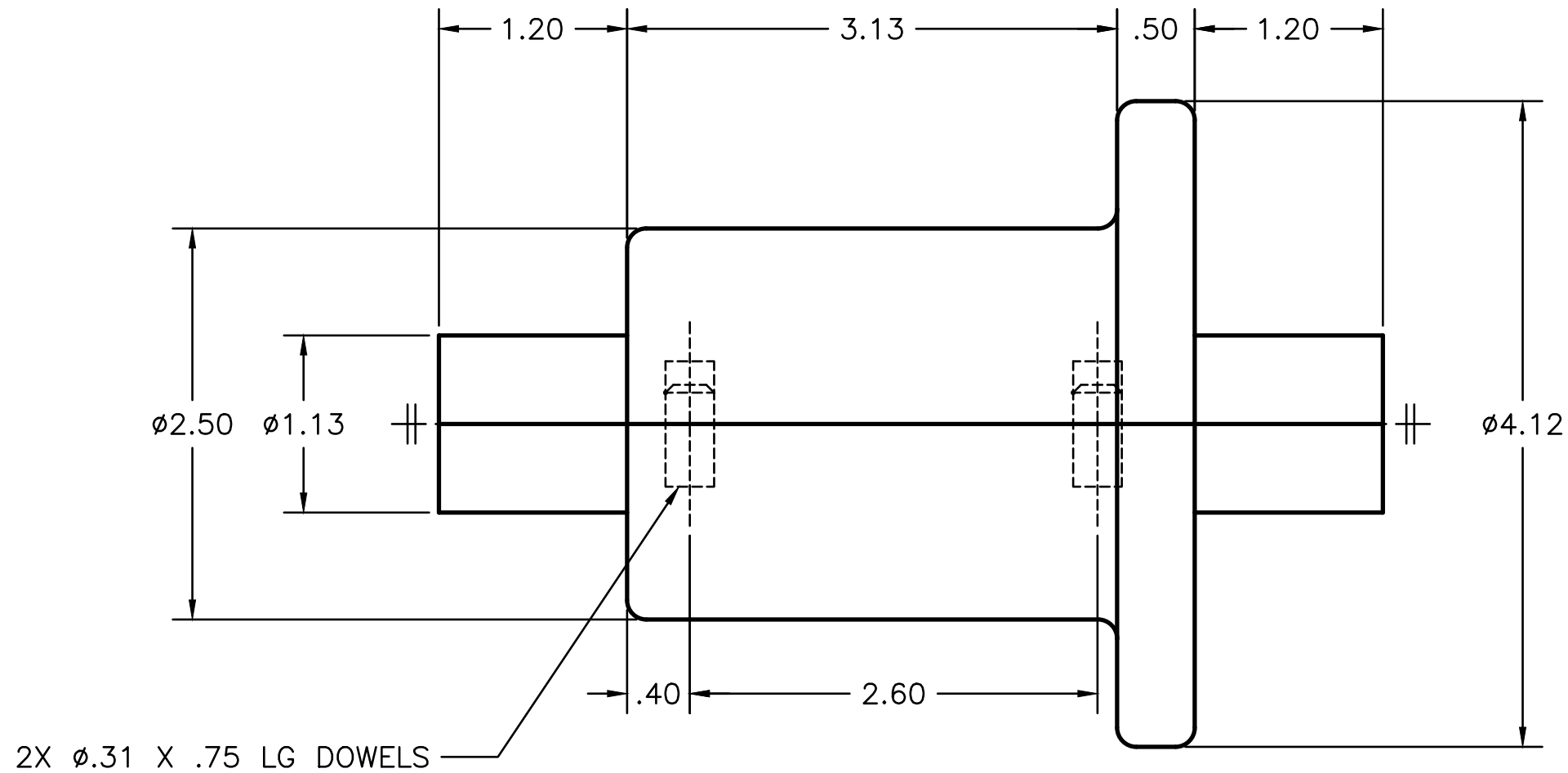
DATE: 5/12/2021

SCALE: 1:1

PAGE #: 2 OF 3

PARTS LIST

ITEM	QTY.	PART NAME	MATERIAL
1	1	CONNECTOR	SAE 1110



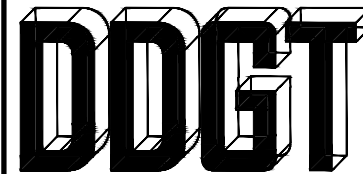
PATTERN DRAWING FOR CONNECTOR WORKING DRAWING

LEGEND:

- ϕ DIAMETER
- R RADIUS
- ° DEGREES

GENERAL NOTES:

- ALL ROUNDS AND FILLETS ON PATTERN DRAWING R .12 UNLESS OTHERWISE SPECIFIED
- DRAFTING ANGLE ON INTERNAL SURFACES 2° AND EXTERNAL SURFACES 1° UNLESS OTHERWISE SPECIFIED
- USE SHRINK RULE FOR MALLEABLE IRON



DIGITAL DESIGN
GRAPHICS
TECHNOLOGY

WWW.DDGT.NET

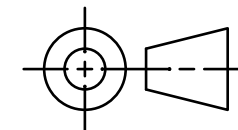


NICHOLAS RODRIGUEZ
DRAFTING AND DESIGN

(707)-561-2948

RODRIGUEZNICHOLAS989@GMAIL.COM

WWW.DDGT.NET/STUDENTPAGES/NRODRIGUEZ



TOLERANCES UNLESS SPECIFIED:
DECIMAL INCHES:
X = $\pm .020$
XX = $\pm .010$
XXX = $\pm .005$
FRACTIONAL $\pm 1/64$ "
ANGLES ± 1 DEGREE
SURFACES $\frac{3}{2}$

COURSE: DDGT121

AUTOCAD DRAWING NAME:
CONNECTOR

FIG #: 13-48

DRAFTER: N. RODRIGUEZ

DATE: 5/12/2021

SCALE: 1:1

PAGE #: 3 OF 3