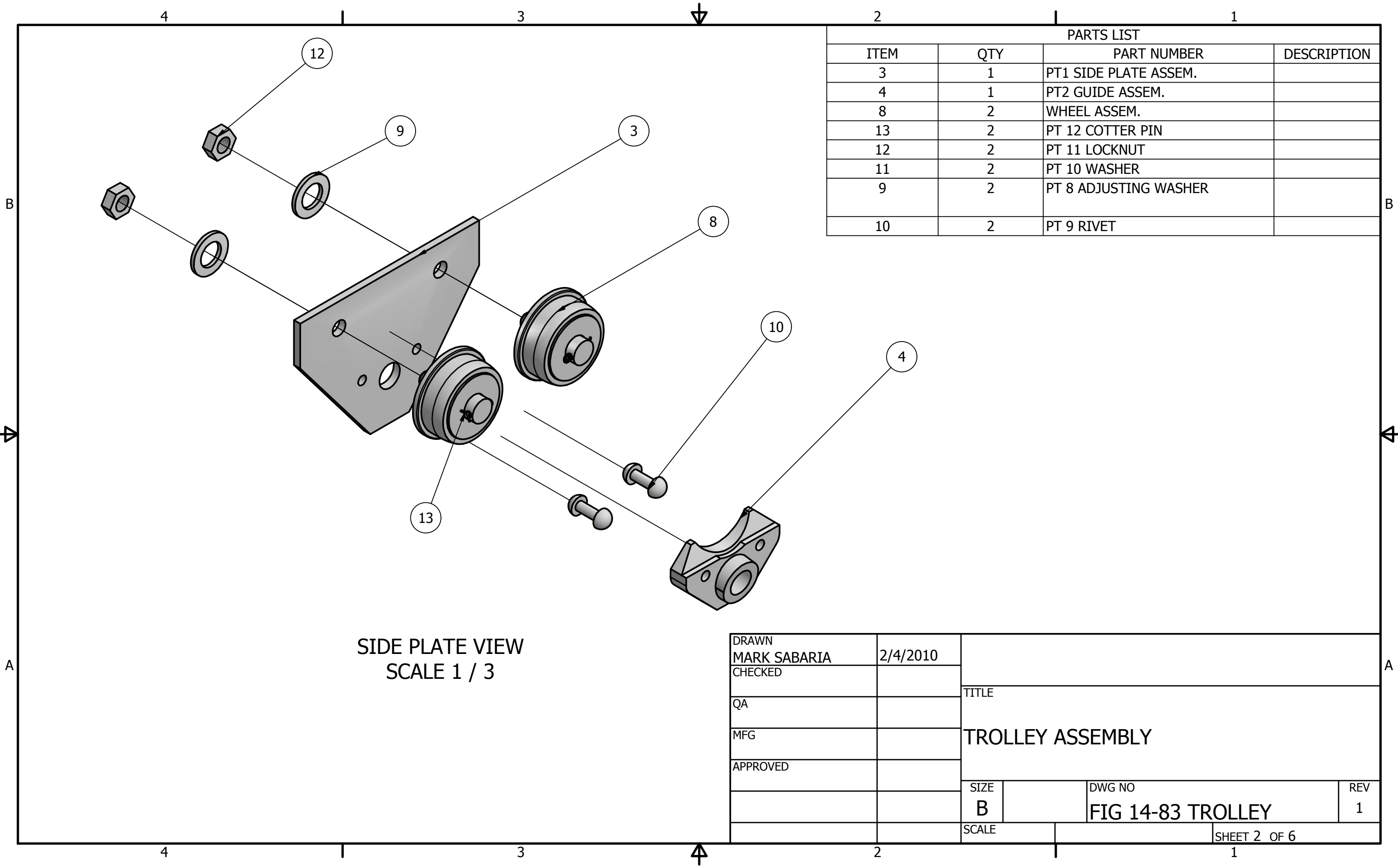


TROLLEY VIEW
SCALE 1 / 6

PARTS LIST			
ITEM	QTY	PART NUMBER	MATERIALS
1	1	BEAM	STL
2	1	PT3 AXLE	STL
3	2	PT1 SIDE PLATE	CRS
4	2	PT2 GUIDE	CI
5	44	PT5 ROLLER BEARING	CRS
6	4	PT7 AXLE (THREAD)	CRS
7	1	HOOK	CRS
8	4	PT6 WHEEL	CI
9	12	PT8 ADJ. WASHER	STL
10	4	PT9 RIVET	STL
11	4	PT10 WASHER	STL
12	4	PT11 LOCKNUT	STL
13	6	PT12 COTTER PIN	STL

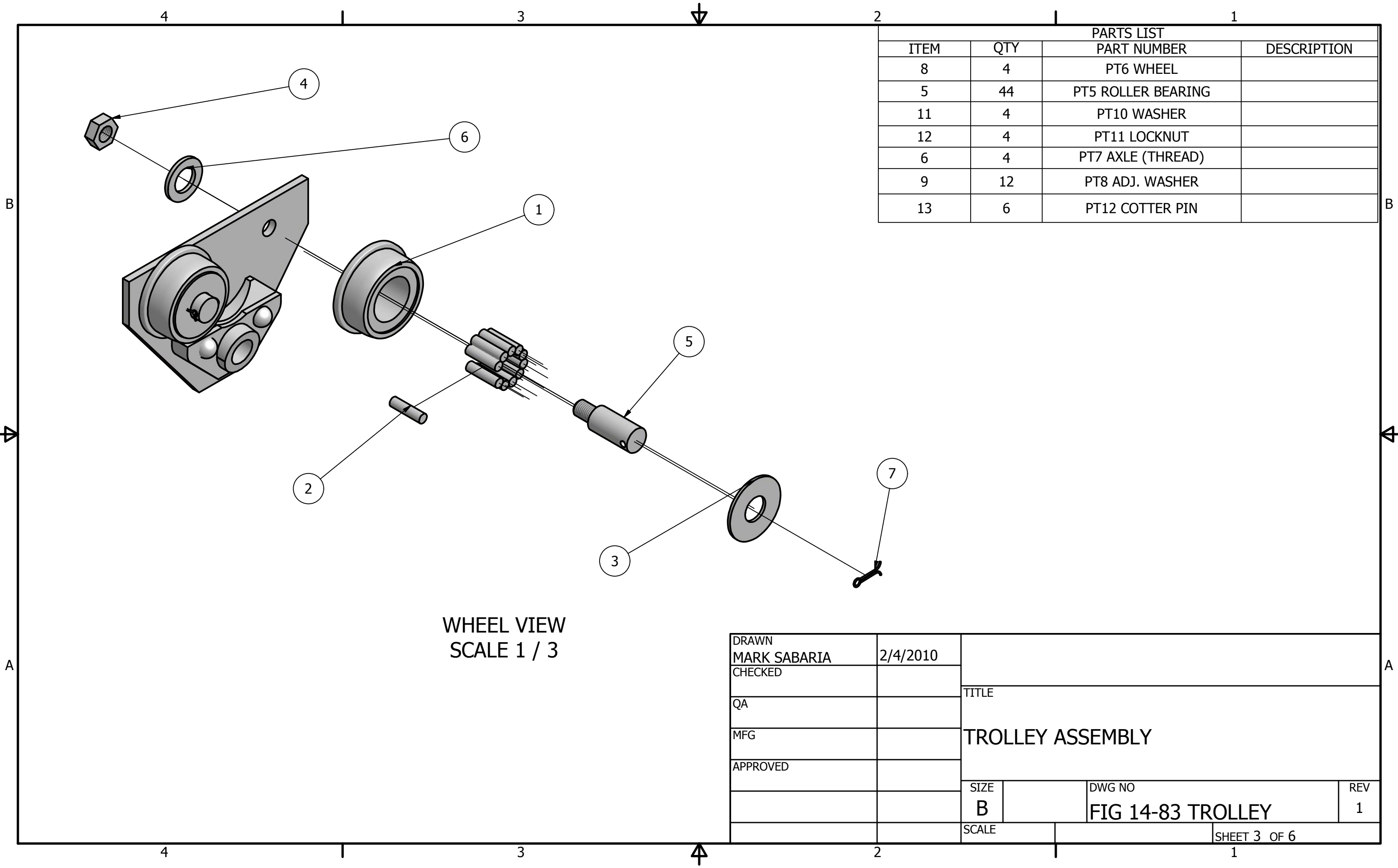
DRAWN	MARK SABARIA	2/4/2010	TITLE	
CHECKED			TROLLEY ASSEMBLY	
QA				
MFG				
APPROVED				
			SIZE	DWG NO
			B	FIG 14-83 TROLLEY
			SCALE	REV
				1
			SHEET 1 OF 6	



PARTS LIST			
ITEM	QTY	PART NUMBER	DESCRIPTION
3	1	PT1 SIDE PLATE ASSEM.	
4	1	PT2 GUIDE ASSEM.	
8	2	WHEEL ASSEM.	
13	2	PT 12 COTTER PIN	
12	2	PT 11 LOCKNUT	
11	2	PT 10 WASHER	
9	2	PT 8 ADJUSTING WASHER	
10	2	PT 9 RIVET	

SIDE PLATE VIEW
SCALE 1 / 3

DRAWN	MARK SABARIA	2/4/2010		
CHECKED				
QA			TITLE	
MFG			TROLLEY ASSEMBLY	
APPROVED				
			SIZE	DWG NO
			B	FIG 14-83 TROLLEY
			SCALE	REV
				1
			SHEET 2 OF 6	

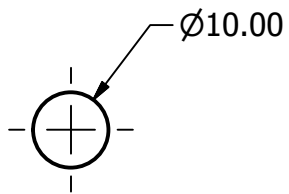


PARTS LIST			
ITEM	QTY	PART NUMBER	DESCRIPTION
8	4	PT6 WHEEL	
5	44	PT5 ROLLER BEARING	
11	4	PT10 WASHER	
12	4	PT11 LOCKNUT	
6	4	PT7 AXLE (THREAD)	
9	12	PT8 ADJ. WASHER	
13	6	PT12 COTTER PIN	

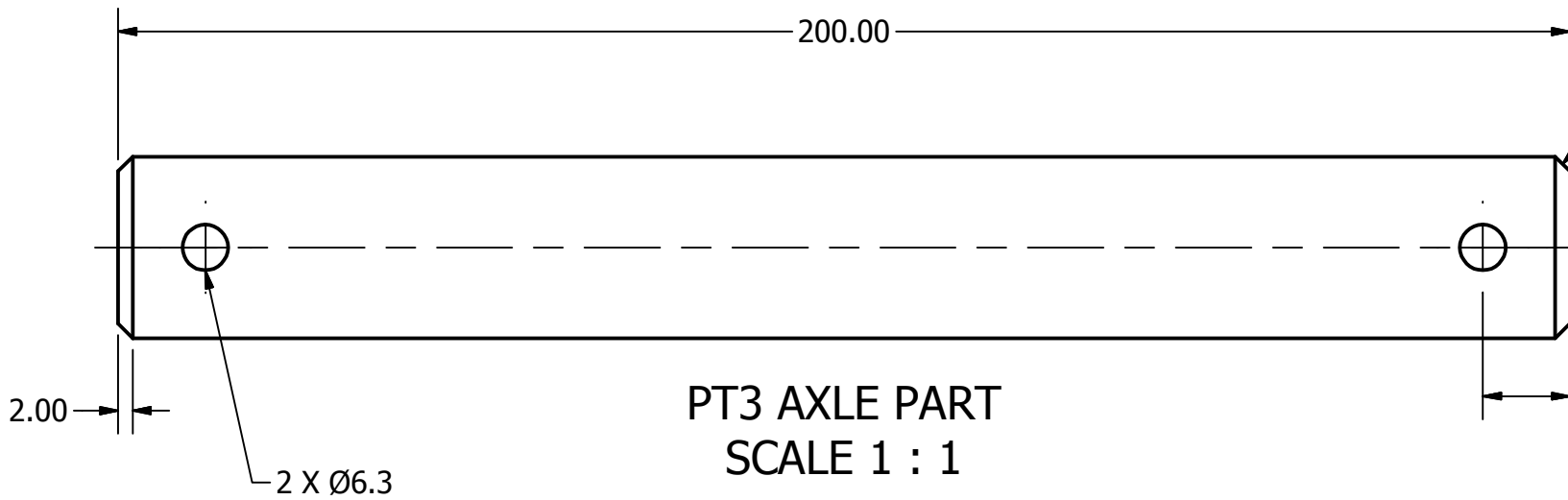
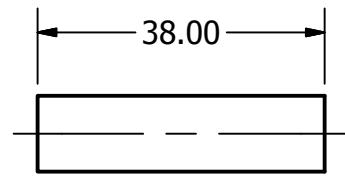
WHEEL VIEW
SCALE 1 / 3

DRAWN	MARK SABARIA	2/4/2010		
CHECKED				
QA			TITLE	
MFG			TROLLEY ASSEMBLY	
APPROVED				
		SIZE	DWG NO	REV
		B	FIG 14-83 TROLLEY	1
		SCALE	SHEET 3 OF 6	

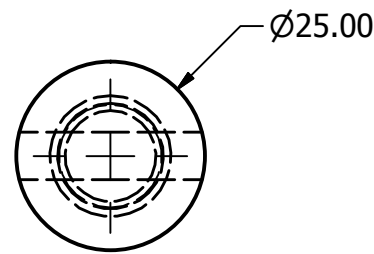
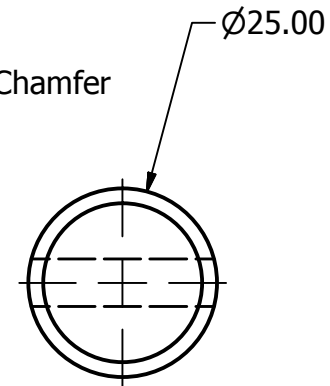
PARTS LIST			
ITEM	QTY	PART NUMBER	DESCRIPTION
5	44	PT5 ROLLER BEARING	
2	1	PT3 AXLE	
6	4	PT7 AXLE (THREAD)	



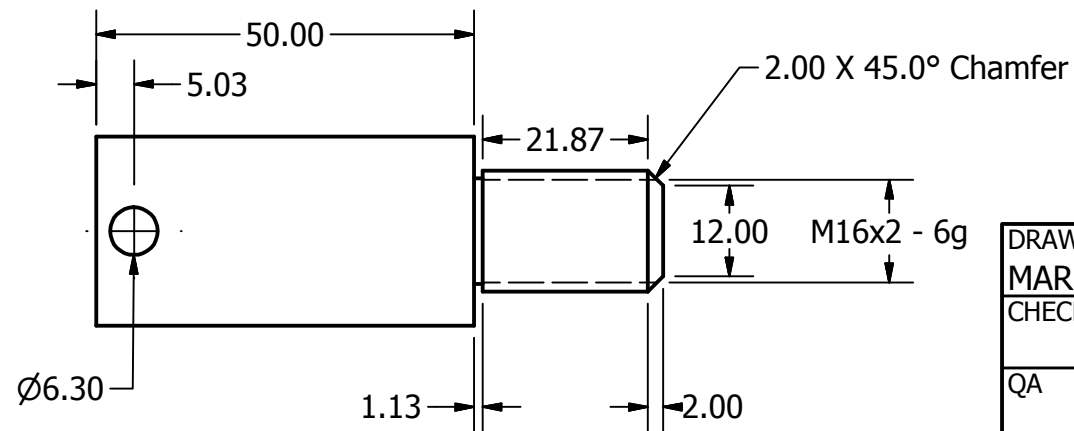
PT5 ROLLER BEARING
SCALE 1 : 1



PT3 AXLE PART
SCALE 1 : 1

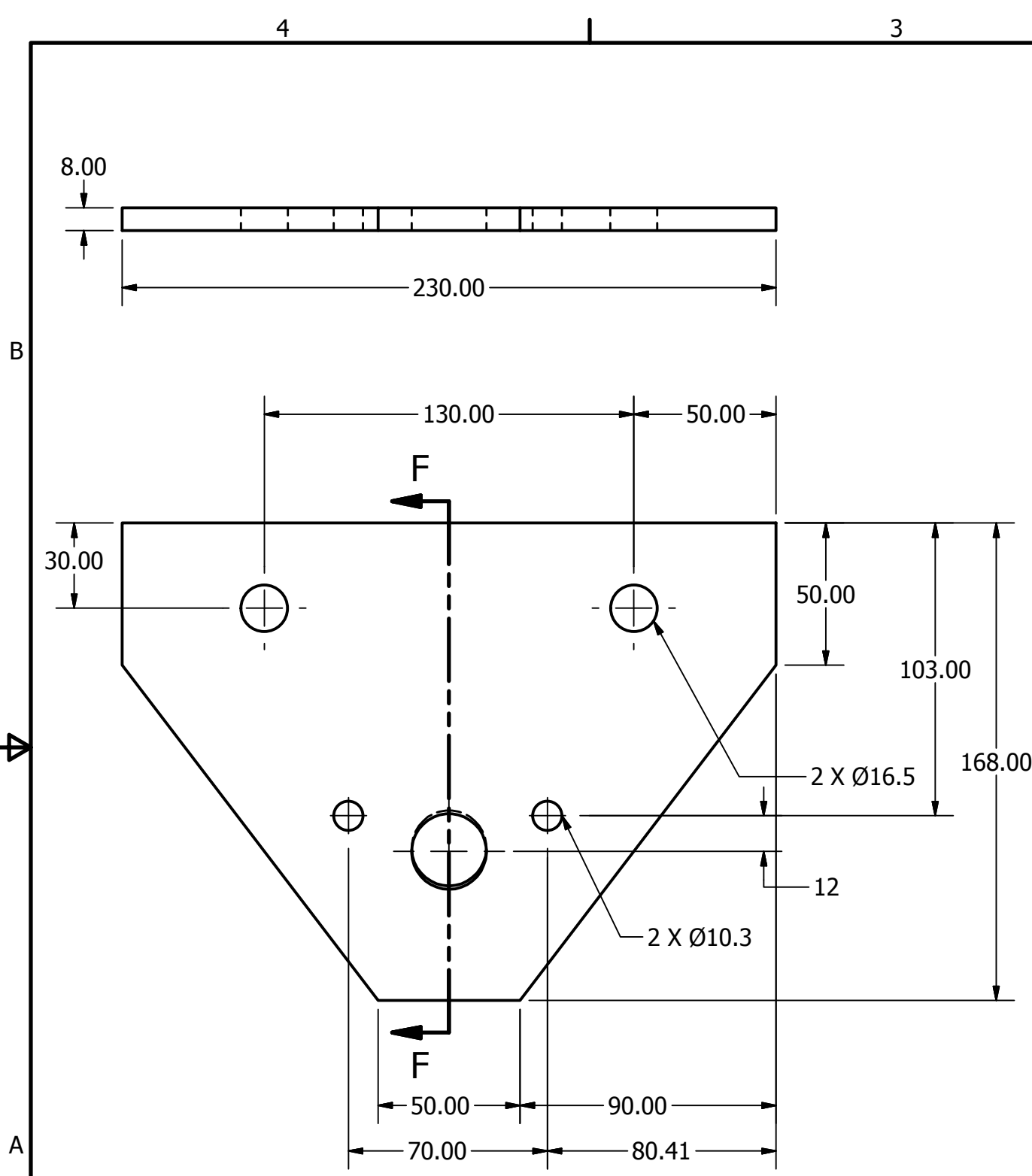


PT 7 AXLE (THREAD)
SCALE 1 : 1

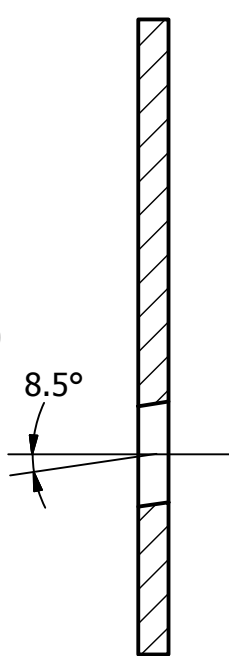


DRAWN	MARK SABARIA	2/4/2010	TITLE	
CHECKED			TROLLEY ASSEMBLY	
QA			SIZE	DWG NO
MFG			B	FIG 14-83 TROLLEY
APPROVED			SCALE	REV
				1
			SHEET 4 OF 6	

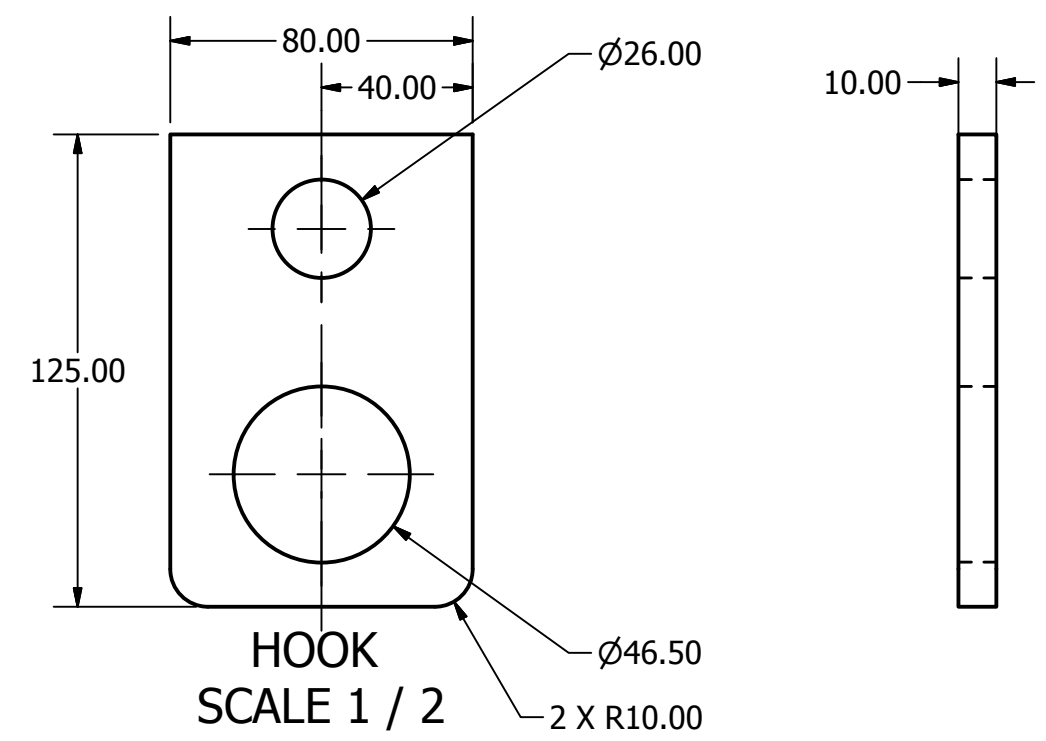
PARTS LIST			
ITEM	QTY	PART NUMBER	DESCRIPTION
3	2	PT1 SIDE PLATE	
7	1	HOOK	



PT 1 SIDE PLATE
SCALE 1 / 2

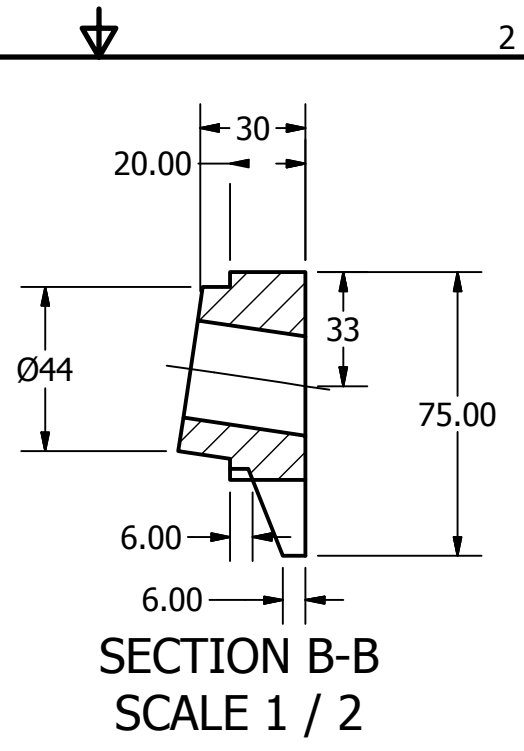
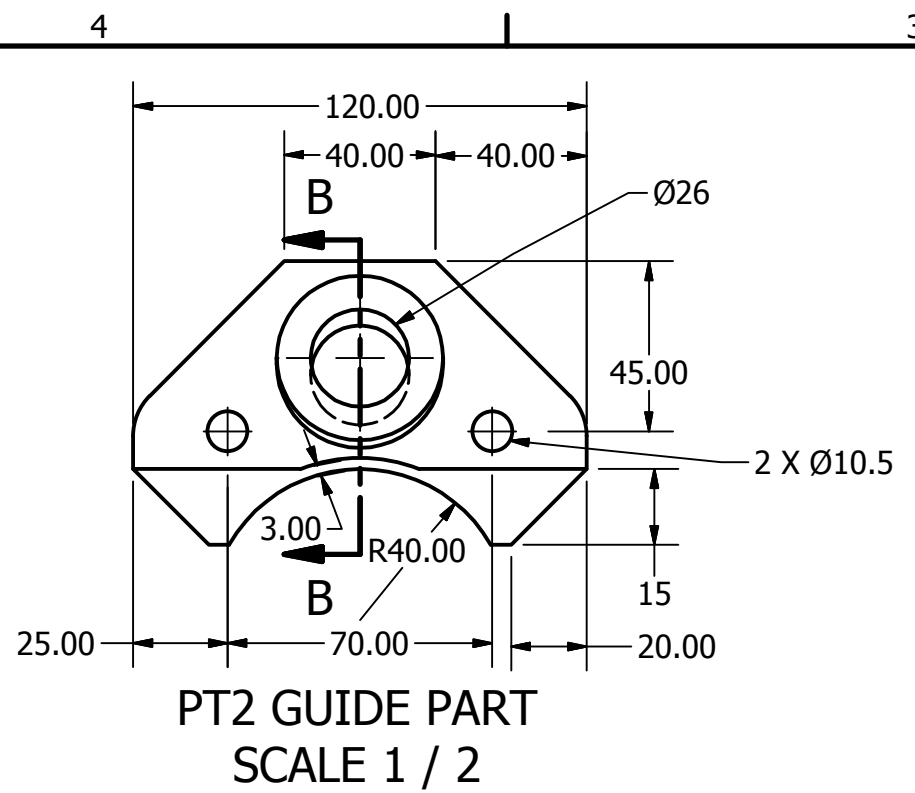


SECTION F-F
SCALE 1 / 2

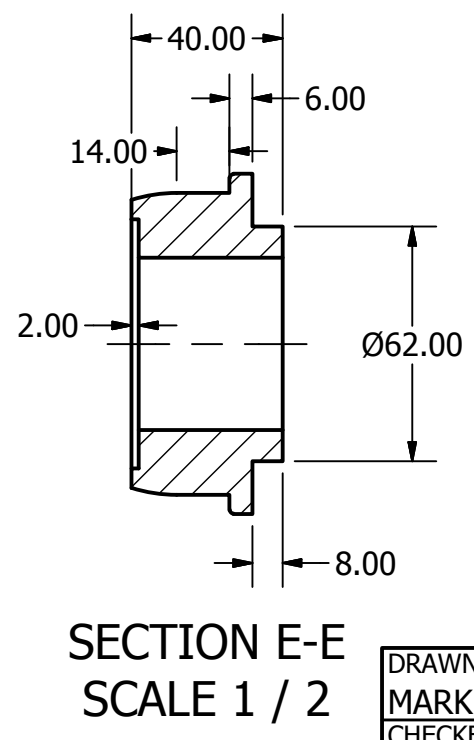
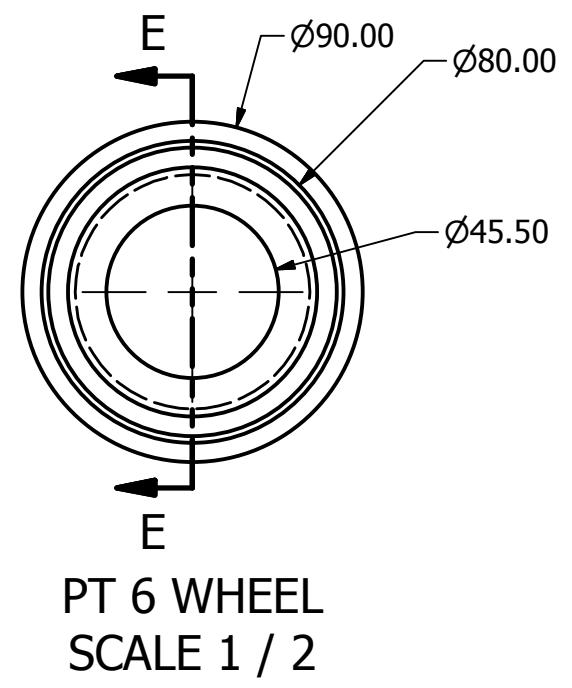


HOOK
SCALE 1 / 2

DRAWN	MARK SABARIA	2/4/2010	TITLE	
CHECKED			TROLLEY ASSEMBLY	
QA			SIZE	DWG NO
MFG			B	FIG 14-83 TROLLEY
APPROVED			SCALE	REV
				1
			SHEET 5 OF 6	



PARTS LIST			
ITEM	QTY	PART NUMBER	DESCRIPTION
4	2	PT2 GUIDE	
8	4	PT6 WHEEL	



DRAWN	MARK SABARIA	2/4/2010	TITLE	
CHECKED			TROLLEY ASSEMBLY	
QA			SIZE	DWG NO
MFG			B	FIG 14-83 TROLLEY
APPROVED			SCALE	REV
				1
			SHEET 6 OF 6	