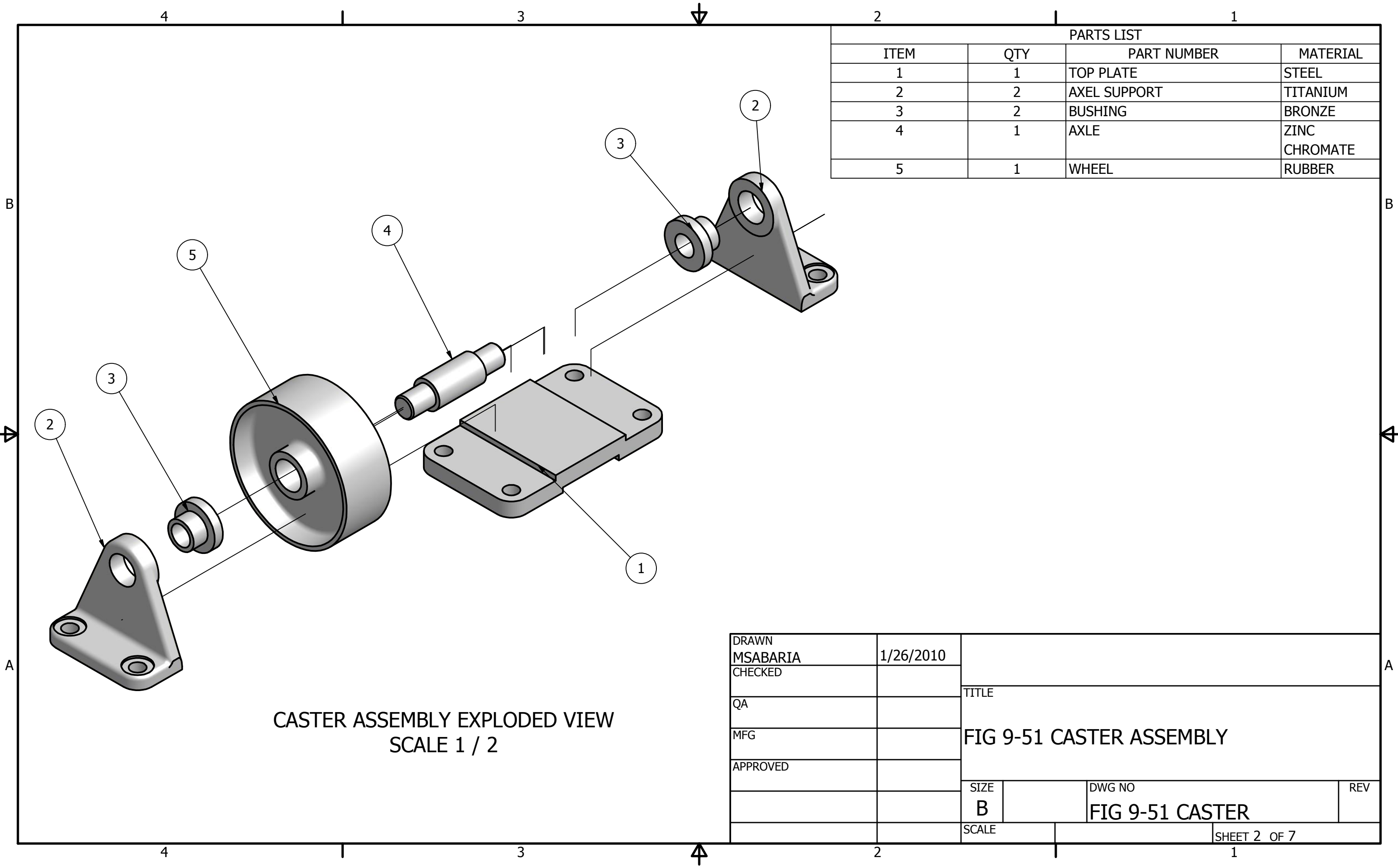


CASTER ASSEMBLY
SCALE 1 : 1

ROUNDS AND FILLETS R3

PARTS LIST			
ITEM	QTY	PART NUMBER	MATERIAL
1	1	TOP PLATE	STEEL
2	2	AXEL SUPPORT	TITANIUM
3	2	BUSHING	BRONZE
4	1	AXLE	ZINC CHROMATE
5	1	WHEEL	RUBBER

DRAWN MSABARIA	1/26/2010	TITLE FIG 9-51 CASTER ASSEMBLY		
CHECKED				
QA				
MFG				
APPROVED		SIZE B	DWG NO FIG 9-51 CASTER	REV
		SCALE	SHEET 1 OF 7	

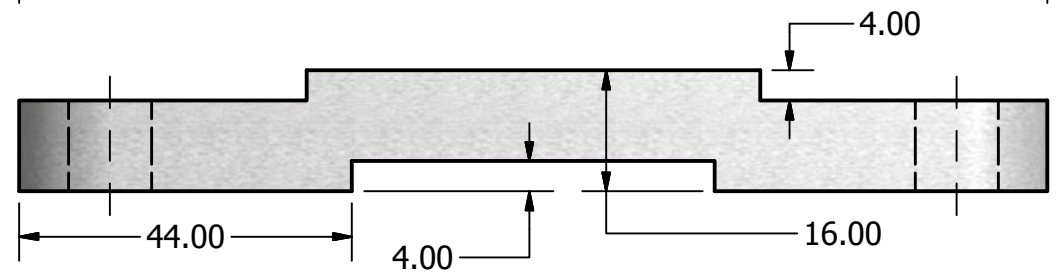
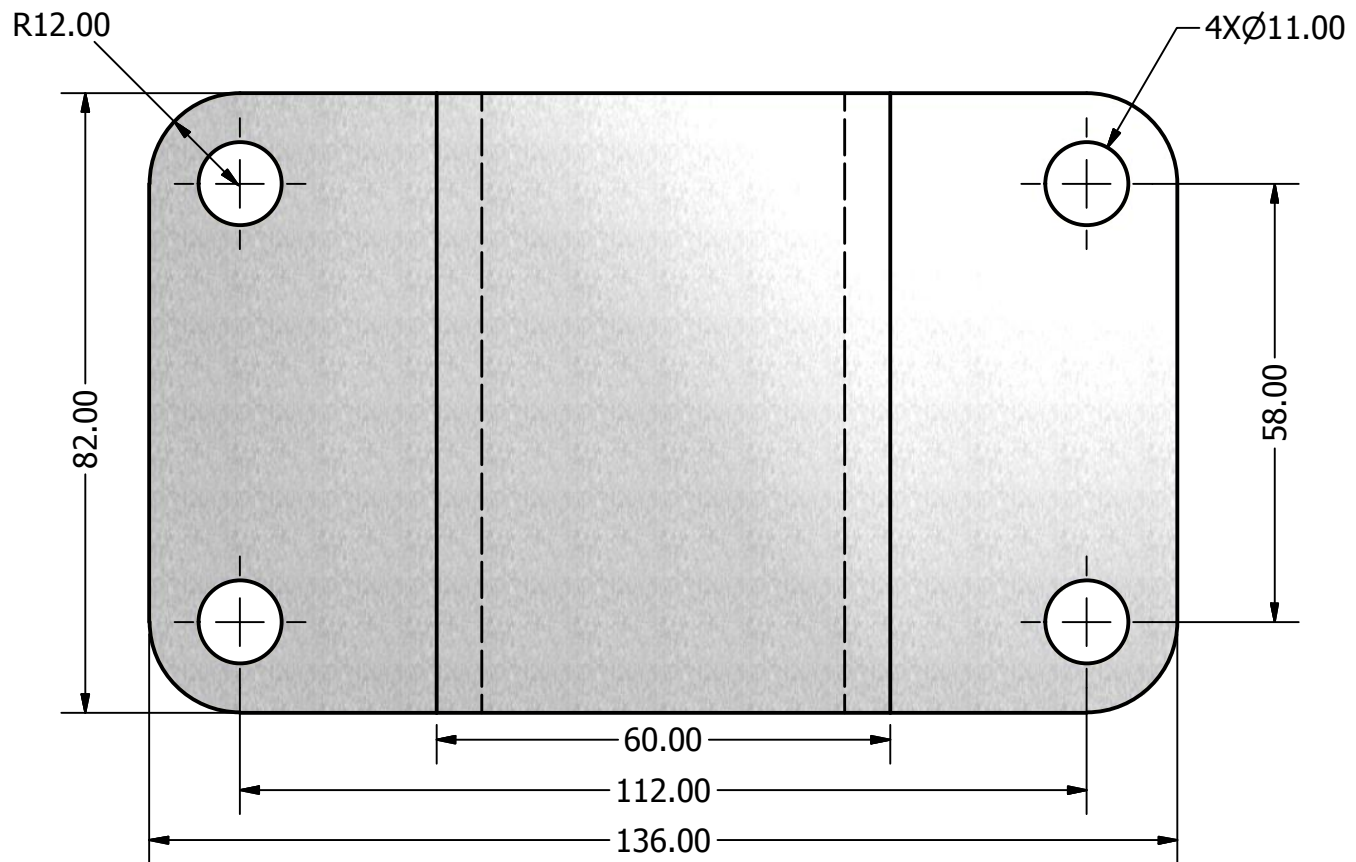


PARTS LIST			
ITEM	QTY	PART NUMBER	MATERIAL
1	1	TOP PLATE	STEEL
2	2	AXEL SUPPORT	TITANIUM
3	2	BUSHING	BRONZE
4	1	AXLE	ZINC CHROMATE
5	1	WHEEL	RUBBER

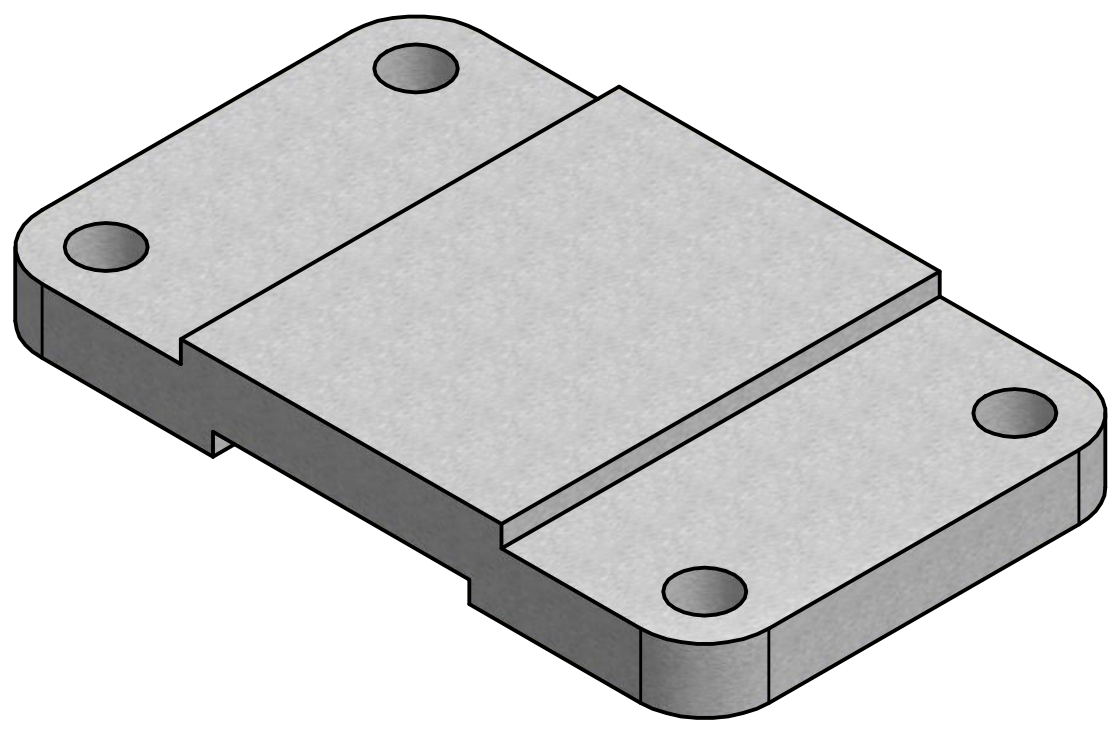
CASTER ASSEMBLY EXPLODED VIEW
SCALE 1 / 2

DRAWN MSABARIA	1/26/2010	TITLE FIG 9-51 CASTER ASSEMBLY		
CHECKED				
QA				
MFG				
APPROVED		SIZE B	DWG NO FIG 9-51 CASTER	REV
		SCALE	SHEET 2 OF 7	

PARTS LIST			
ITEM	QTY	PART NUMBER	MATERIAL
1	1	BOTTOM PLATE	STEEL

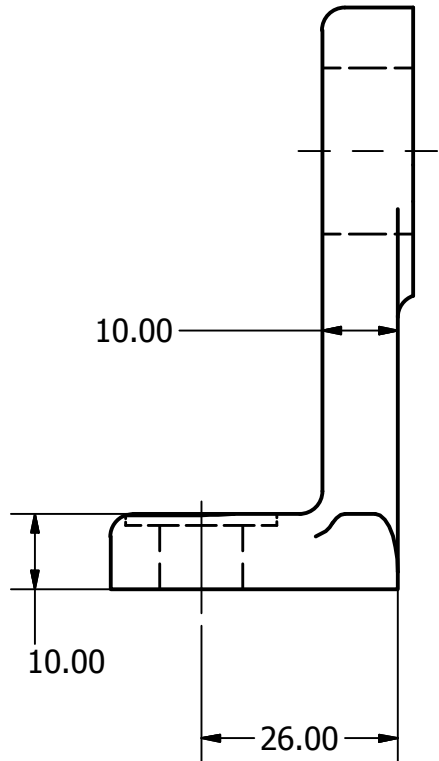
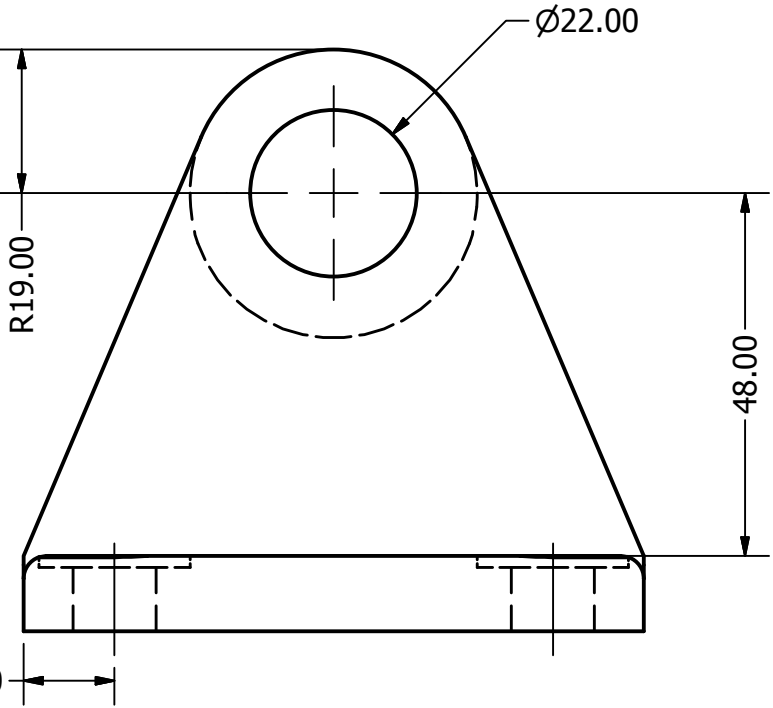
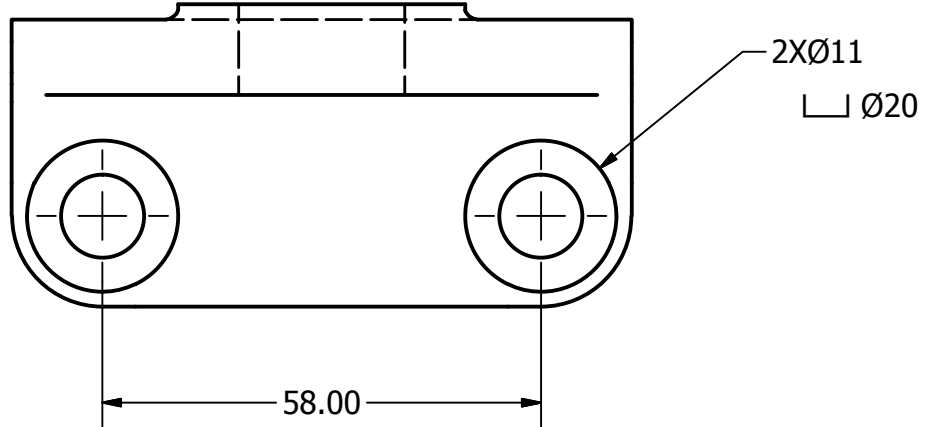
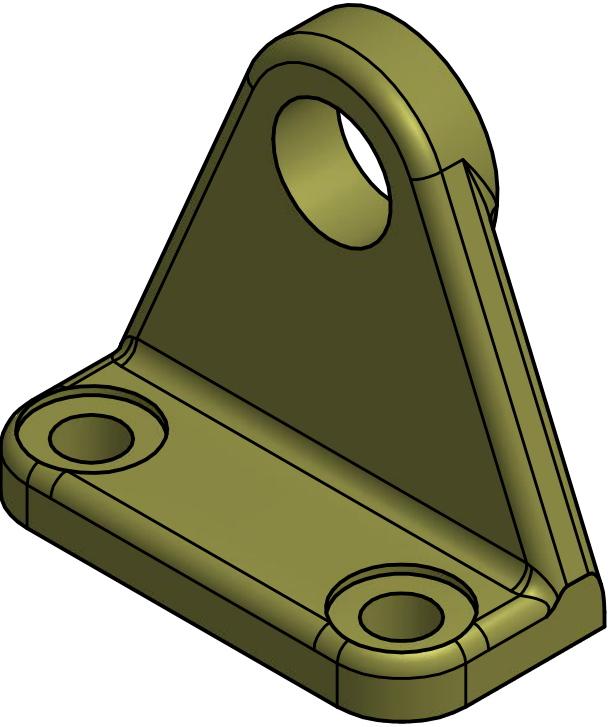


TOP PLATE VIEW
SCALE 1 : 1



DRAWN MSABARIA	1/26/2010	TITLE	
CHECKED		FIG 9-51 CASTER ASSEMBLY	
QA		SIZE B	DWG NO
MFG		FIG 9-51 CASTER	
APPROVED		SCALE	REV
		SHEET 3 OF 7	

PARTS LIST			
ITEM	QTY	PART NUMBER	MATERIAL
1	1	AXEL SUPPORT	TITANIUM

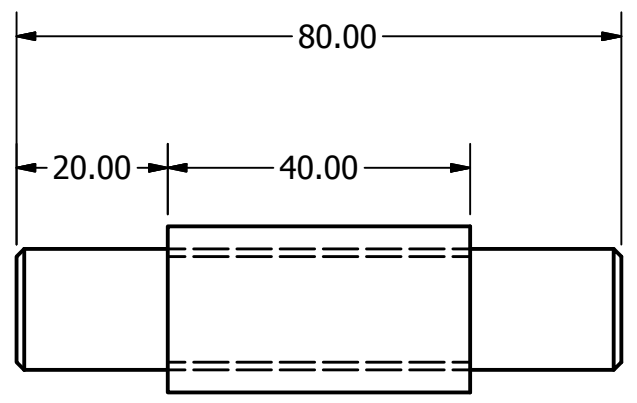
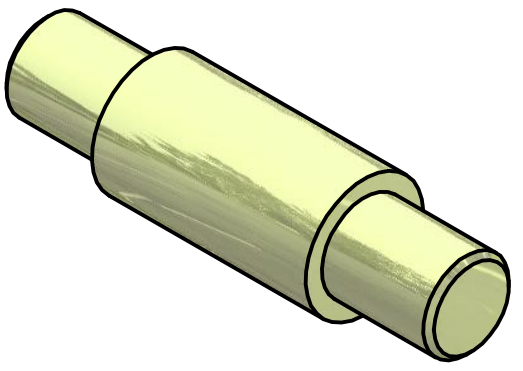


AXEL SUPPORT VIEW
SCALE 1 : 1

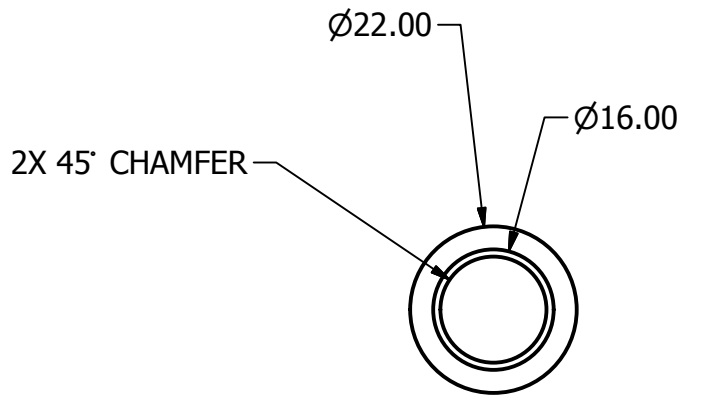
ROUNDS AND FILLETS R3

DRAWN MSABARIA	1/26/2010	TITLE	
CHECKED		FIG 9-51 CASTER ASSEMBLY	
QA		SIZE B	DWG NO
MFG		FIG 9-51 CASTER	
APPROVED		SCALE	REV
		SHEET 4 OF 7	

PARTS LIST			
ITEM	QTY	PART NUMBER	MATERIAL
1	1	AXLE	ZINC CHROMATE

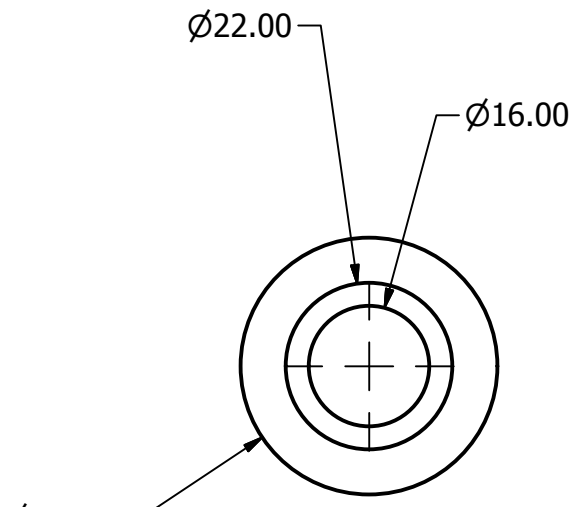
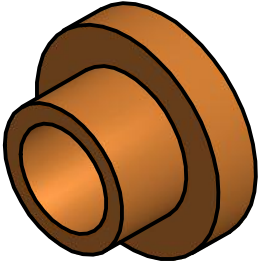
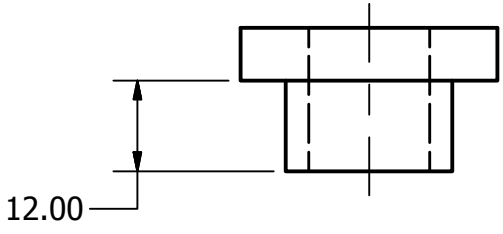


AXLE VIEW
SCALE 1 : 1

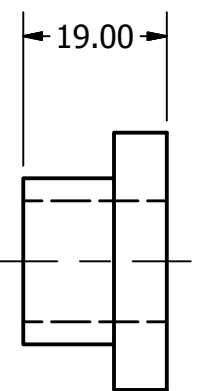


DRAWN	MSABARIA	1/26/2010	TITLE	
CHECKED			FIG 9-51 CASTER ASSEMBLY	
QA			SIZE	DWG NO
MFG			B	FIG 9-51 CASTER
APPROVED			SCALE	REV
				SHEET 5 OF 7

PARTS LIST			
ITEM	QTY	PART NUMBER	MATERIAL
1	1	BUSHING	BRONZE

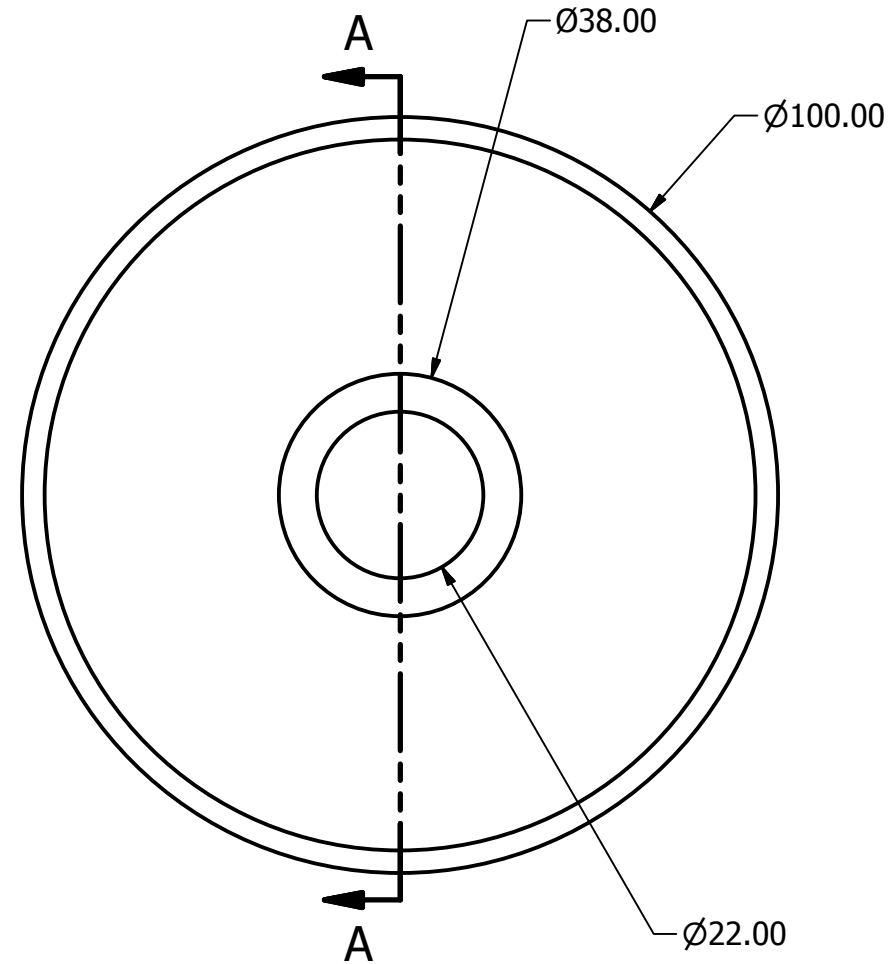


BUSHING VIEW
SCALE 1 : 1

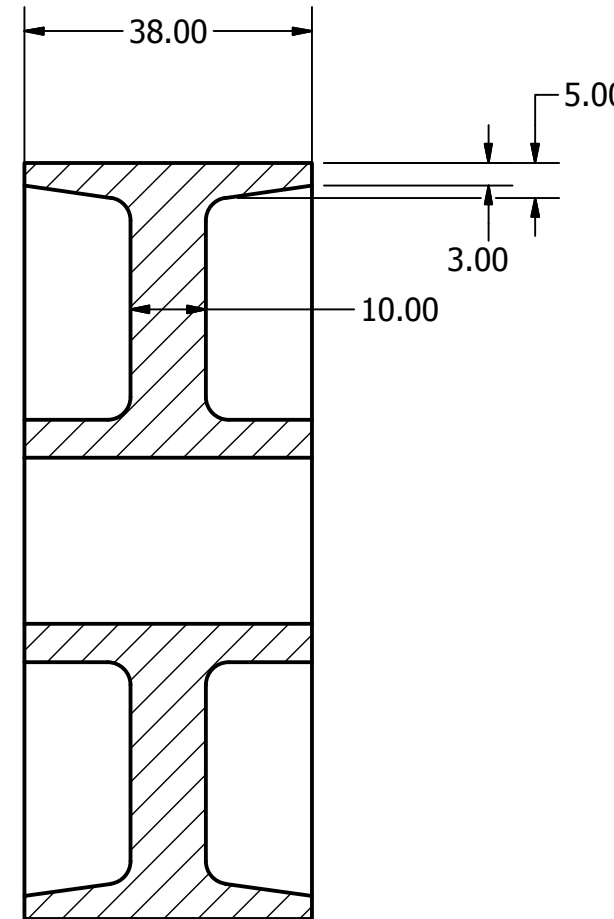


DRAWN MSABARIA	1/26/2010	TITLE	
CHECKED		FIG 9-51 CASTER ASSEMBLY	
QA		SIZE B	DWG NO
MFG		FIG 9-51 CASTER	
APPROVED		SCALE	REV
		SHEET 6 OF 7	

PARTS LIST			
ITEM	QTY	PART NUMBER	MATERIAL
1	1	WHEEL	RUBBER



WHEEL VIEW
SCALE 1 : 1



SECTION A-A
SCALE 1 : 1

DRAWN MSABARIA	1/26/2010	TITLE	
CHECKED		FIG 9-51 CASTER ASSEMBLY	
QA		SIZE B	DWG NO FIG 9-51 CASTER
MFG		SCALE	REV
APPROVED		SHEET 7 OF 7	