

4

3

2

1

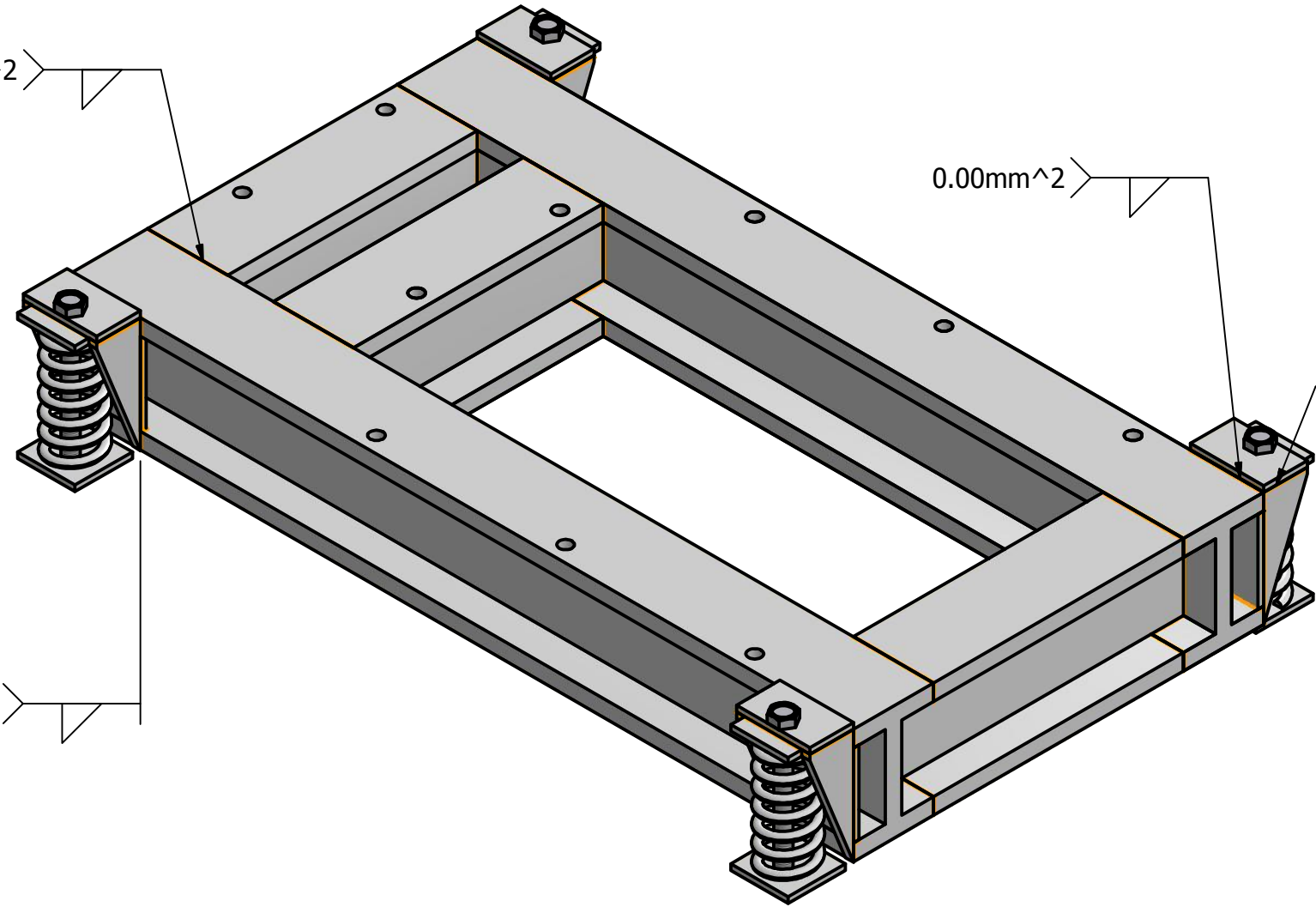
PARTS LIST			
ITEM	QTY	PART NUMBER	MATERIAL
1	1	BEAM 1	STL
2	1	BEAM 2	STL
3	1	BEAM 3	STL
4	1	BEAM 4	STL
5	1	BEAM 5	STL
6	4	SPRING	
7	8	SIDE PLATE	STL
8	4	TOP PLATE	STL
9	4	BACK PLATE	STL

0.00mm^2

0.00mm^2

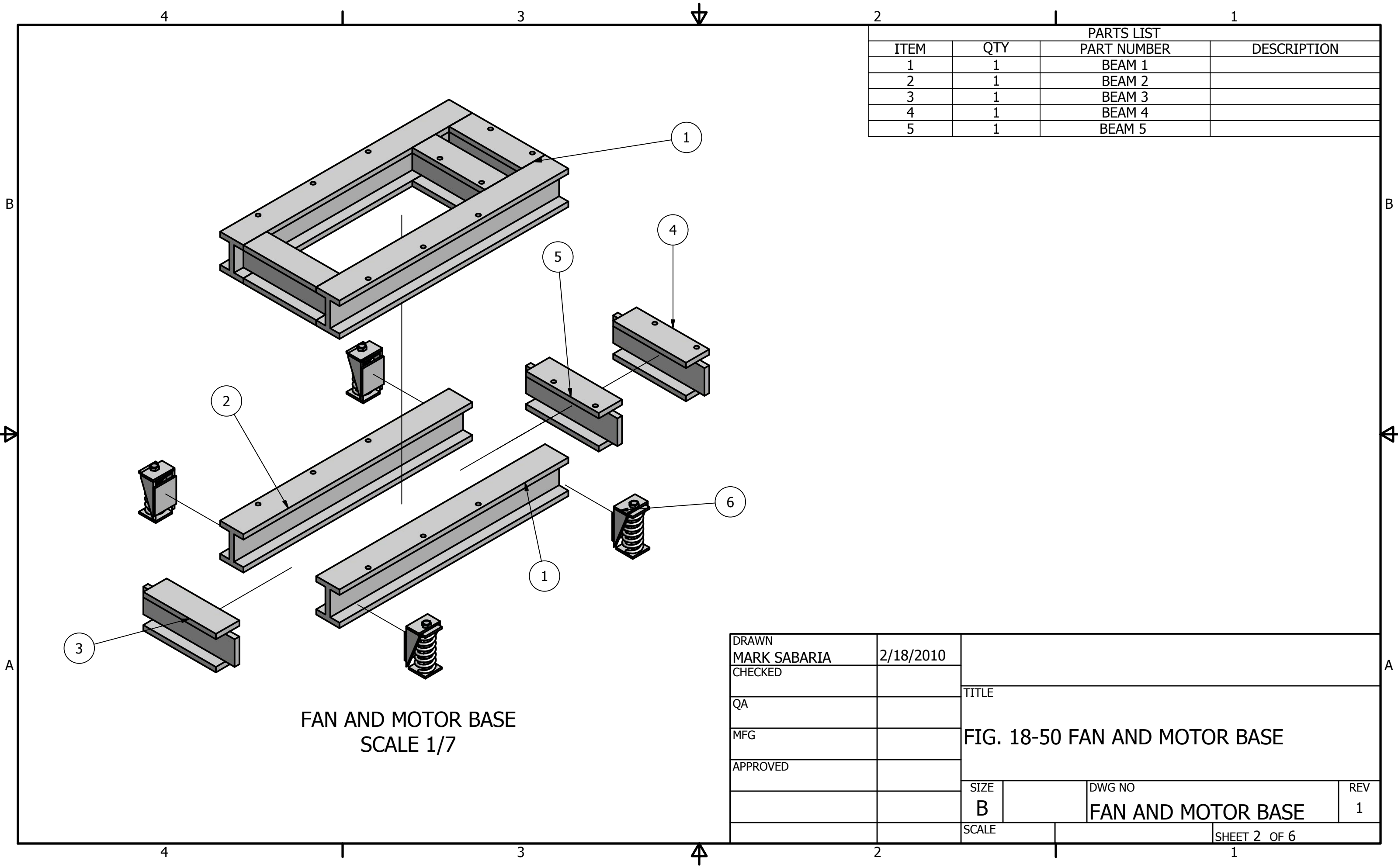
0.00mm^2

0.00mm^2



FAN AND MOTOR BASE (WELD)  
SCALE 1 / 4

DRAWN	MARK SABARIA	2/18/2010		
CHECKED				
QA			TITLE	
MFG			FIG. 18-50 FAN AND MOTOR BASE	
APPROVED				
		SIZE	DWG NO	REV
		B	FAN AND MOTOR BASE	1
		SCALE	SHEET 1 OF 6	

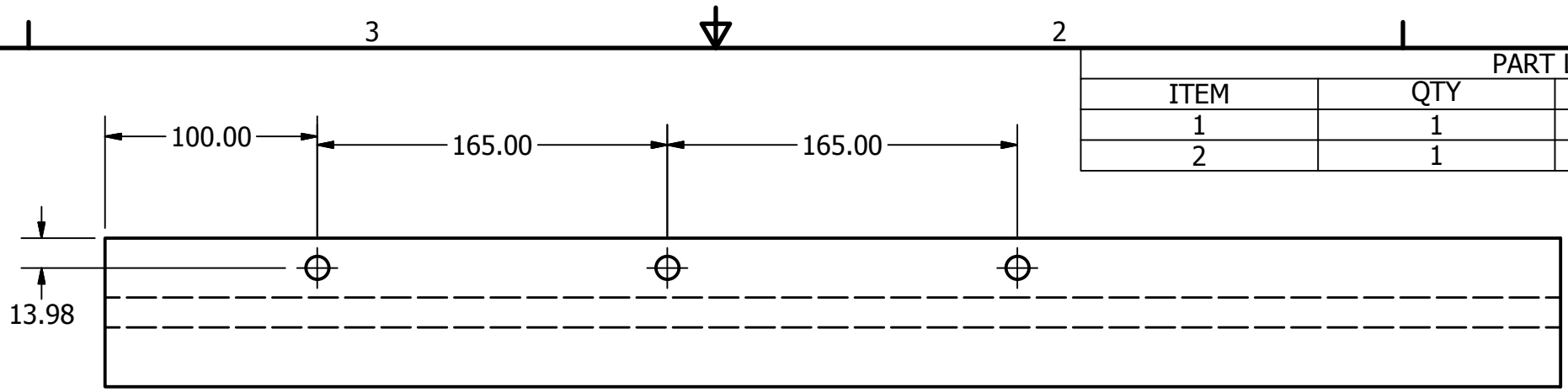


PARTS LIST			
ITEM	QTY	PART NUMBER	DESCRIPTION
1	1	BEAM 1	
2	1	BEAM 2	
3	1	BEAM 3	
4	1	BEAM 4	
5	1	BEAM 5	

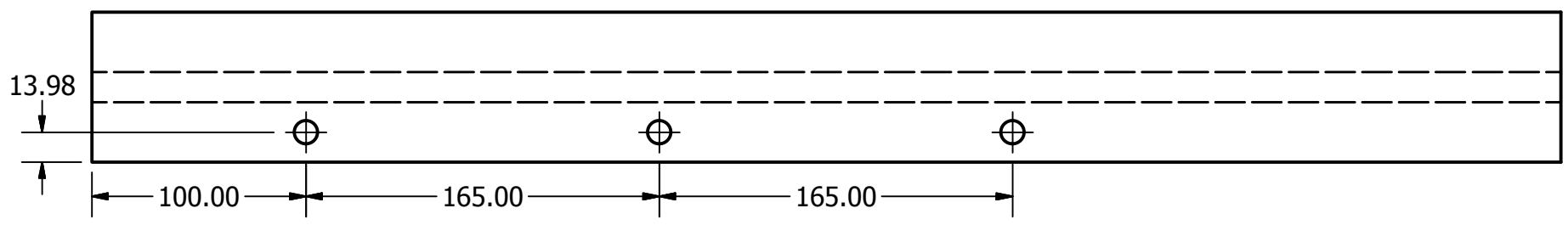
FAN AND MOTOR BASE  
SCALE 1/7

DRAWN MARK SABARIA	2/18/2010		
CHECKED		TITLE	
QA		FIG. 18-50 FAN AND MOTOR BASE	
MFG			
APPROVED			
		SIZE <b>B</b>	DWG NO <b>FAN AND MOTOR BASE</b>
		SCALE	REV <b>1</b>
		SHEET 2 OF 6	

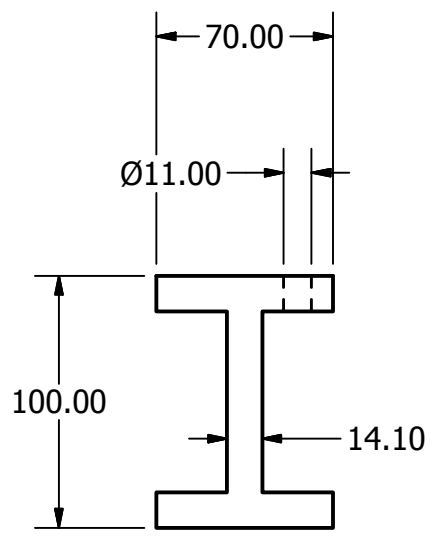
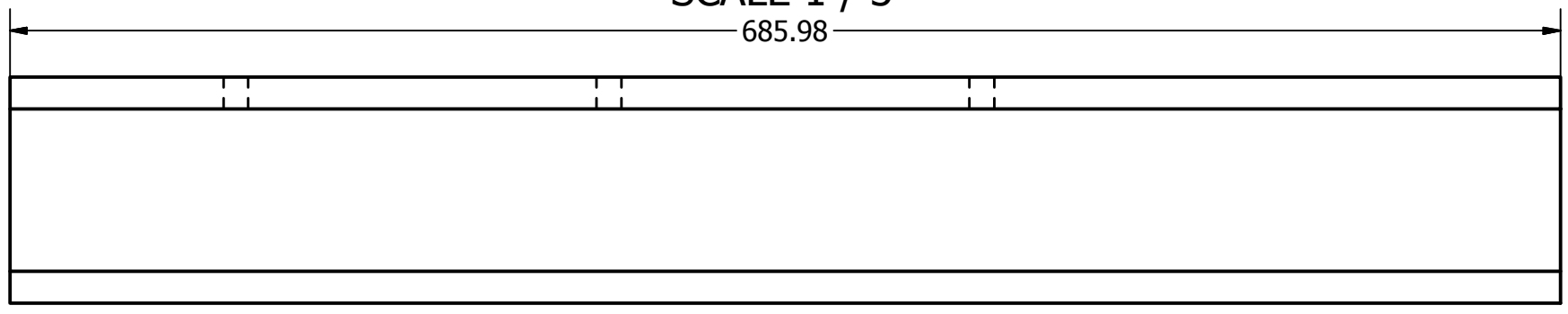
PART LIST			
ITEM	QTY	PART NUMBER	DESCRIPTION
1	1	BEAM 1	
2	1	BEAM 2	



BEAM 2  
SCALE 1 / 3



BEAM 1  
SCALE 1 / 3



BEAM 1 & 2  
SCALE 1 / 3

DRAWN	MARK SABARIA	2/18/2010	TITLE		
CHECKED					
QA			FIG. 18-50 FAN AND MOTOR BASE		
MFG					
APPROVED			SIZE	DWG NO	REV
			B	FAN AND MOTOR BASE	1
			SCALE	SHEET 3 OF 6	

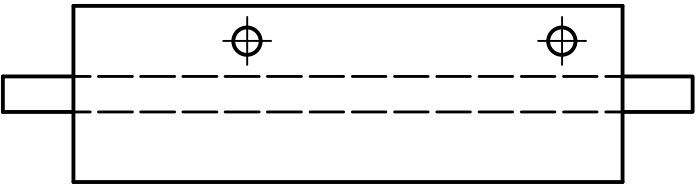
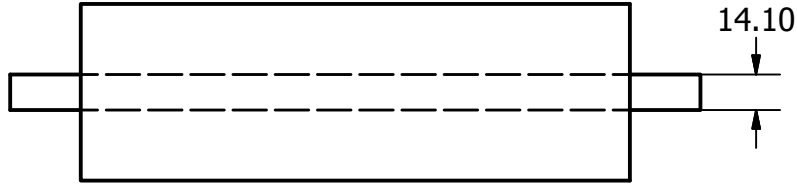
4

3

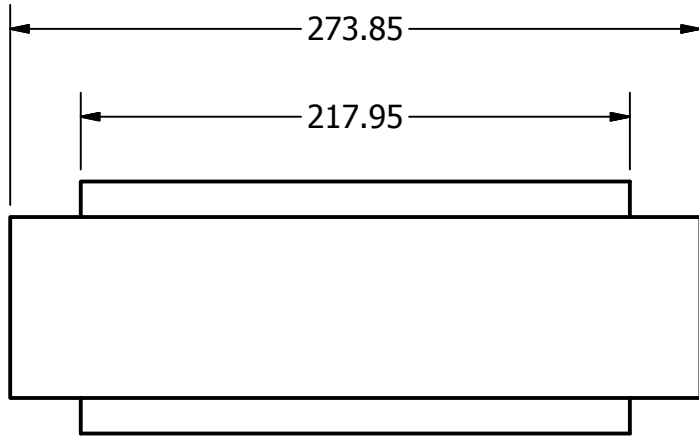
2

1

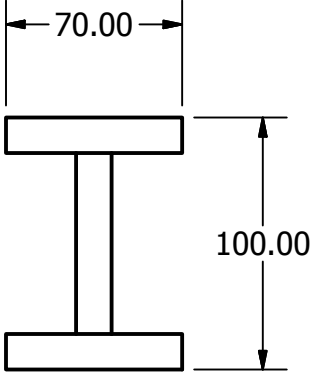
PARTS LIST			
ITEM	QTY	PART NUMBER	DESCRIPTION
1	1	BEAM 3	



BEAM 4  
SCALE 1 / 3



BEAM 3  
SCALE 1 / 3



BEAM 5  
SCALE 1 / 3

DRAWN	MARK SABARIA	2/18/2010	TITLE	
CHECKED			FIG. 18-50 FAN AND MOTOR BASE	
QA			SIZE	DWG NO
MFG			B	FAN AND MOTOR BASE
APPROVED			SCALE	REV
				1
			SHEET 4 OF 6	

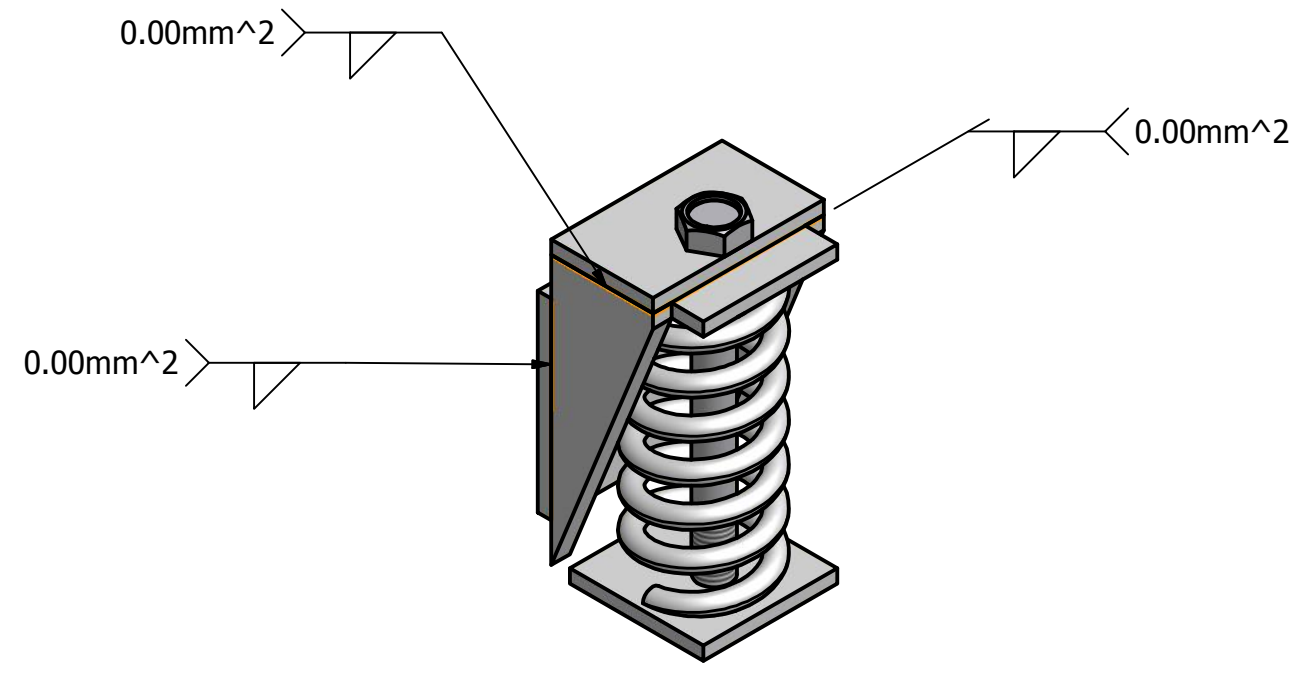
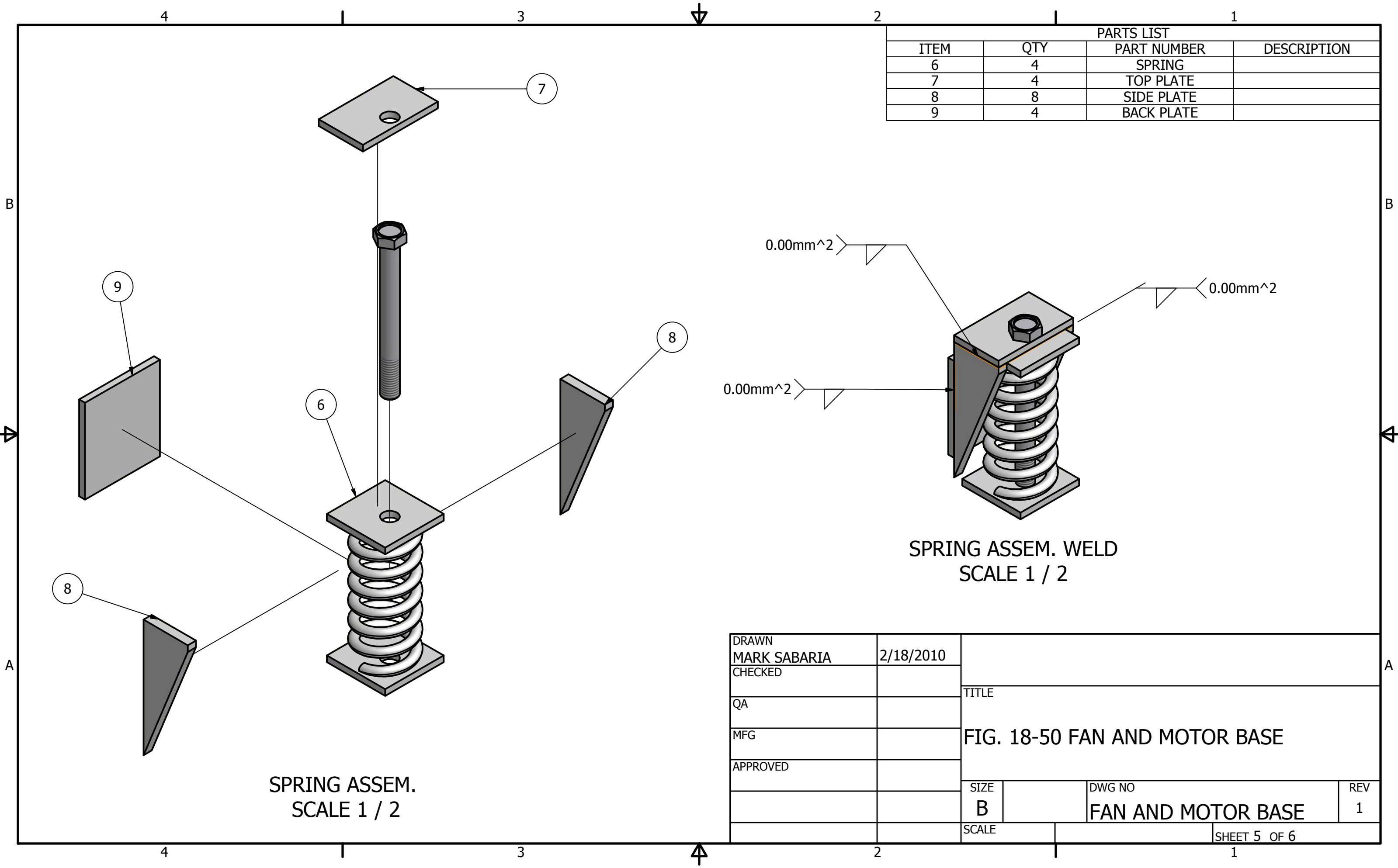
4

3

2

1

PARTS LIST			
ITEM	QTY	PART NUMBER	DESCRIPTION
6	4	SPRING	
7	4	TOP PLATE	
8	8	SIDE PLATE	
9	4	BACK PLATE	

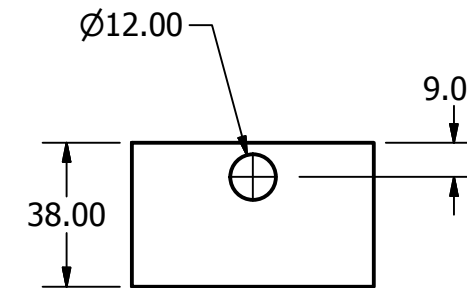
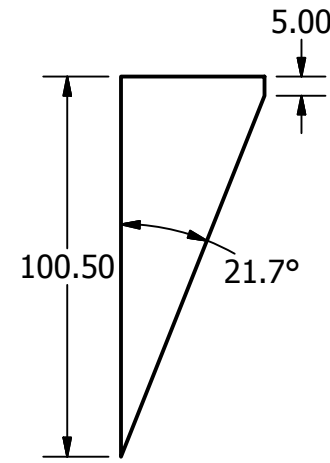
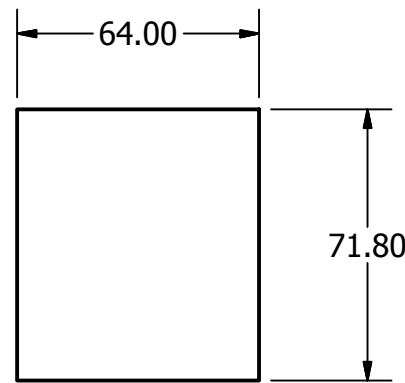
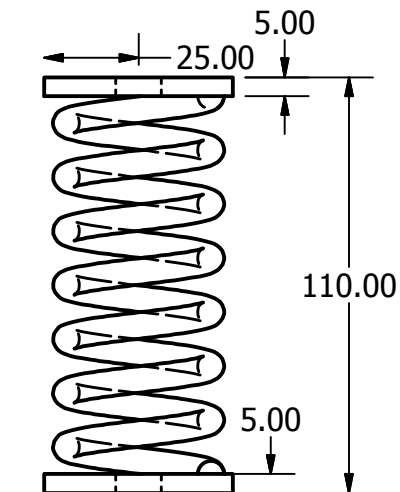
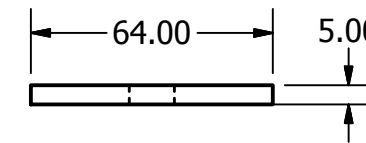
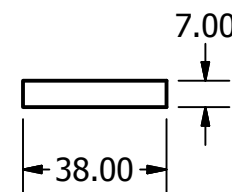
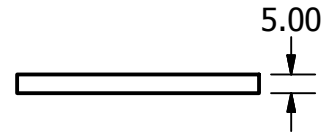
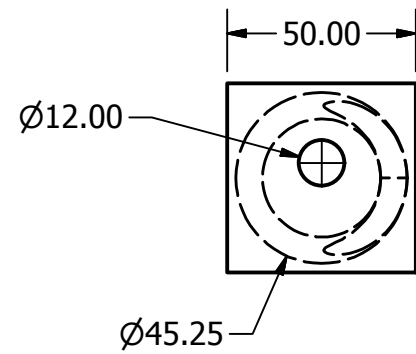


SPRING ASSEM. WELD  
SCALE 1 / 2

SPRING ASSEM.  
SCALE 1 / 2

DRAWN	MARK SABARIA	2/18/2010	TITLE	
CHECKED			FIG. 18-50 FAN AND MOTOR BASE	
QA			SIZE	DWG NO
MFG			B	FAN AND MOTOR BASE
APPROVED			SCALE	REV
				1
			SHEET 5 OF 6	

PARTS LIST			
ITEMS	QTY	PART NUMBER	DESCRIPTION
6	4	SPRING	
7	8	SIDE PLATE	
8	4	TOP PLATE	
9	4	BACK PLATE	



SPRING  
SCALE 1 / 2

BACK PLATE  
SCALE 1 / 2

SIDE PLATE  
SCALE 1 / 2

TOP PLATE  
SCALE 1 / 2

DRAWN	MARK SABARIA	2/18/2010		
CHECKED			TITLE	
QA			FIG. 18-50 FAN AND MOTOR BASE	
MFG			SIZE	DWG NO
APPROVED			B	FAN AND MOTOR BASE
			SCALE	REV 1
				SHEET 6 OF 6