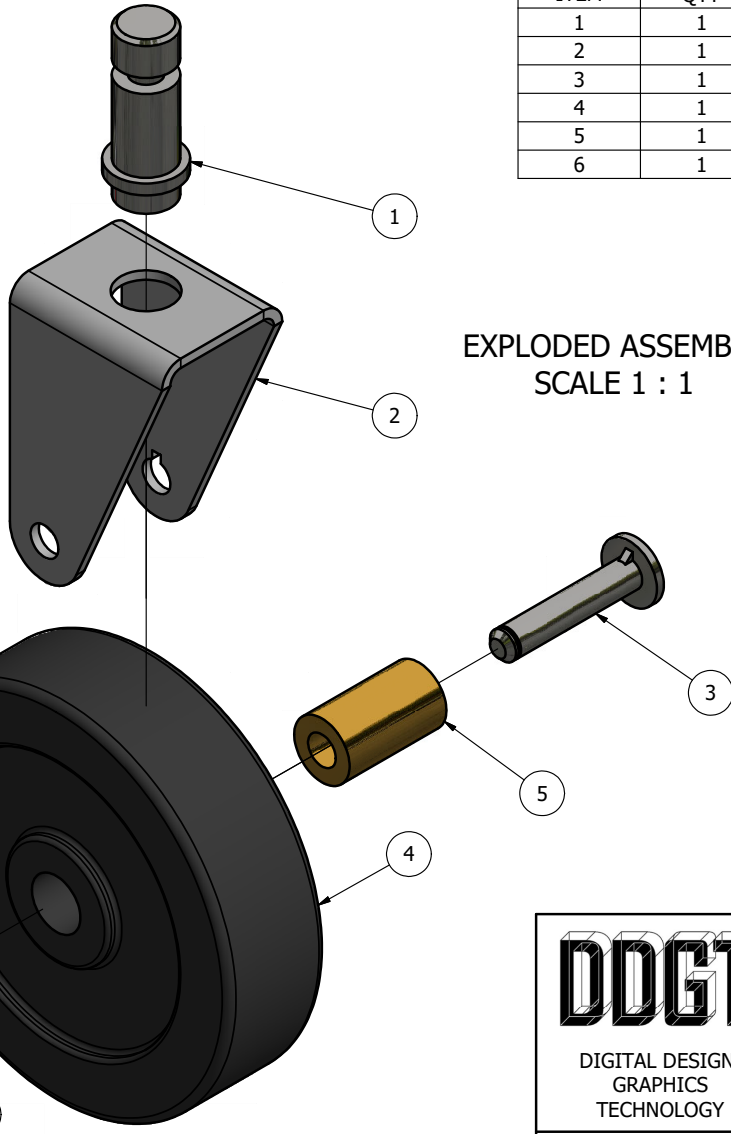


**LEGEND:**

- ∅ DIAMETER
- R RADIUS
- ° DEGREES

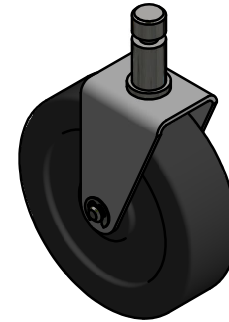
PARTS LIST					
ITEM	QTY	PART NUMBER	MATERIAL	DESCRIPTION	
1	1	POST	SAE 1112		
2	1	BRACKET	USS STL	13 GA (2.38)	
3	1	CHAMFER	SAE 1112		
4	1	WHEEL	HARD RUBBER		
5	1	BUSHING	BRASS		
6	1	RETAINING RING	STEEL	EXT SERIES 5133	



EXPLODED ASSEMBLY  
SCALE 1 : 1

**GENERAL NOTES:**

ALL FILLETS R1 FOR WHEEL UNLESS OTHERWISE STATED



CASTER ASSEMBLY  
SCALE 1 / 2

METRIC



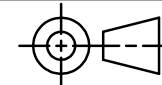
DIGITAL DESIGN  
GRAPHICS  
TECHNOLOGY

WWW.DDGT.NET



Laisha Landa  
Architecture & design

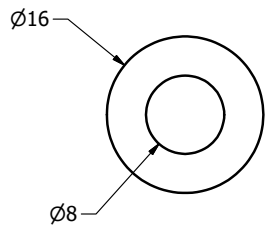
707-787-41-01  
laisha.landa55@yahoo.com



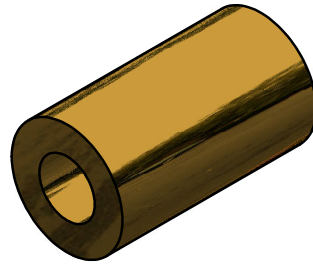
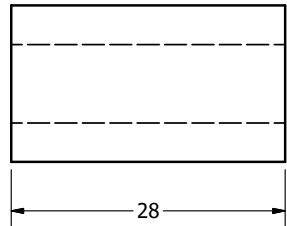
TOLERANCES UNLESS SPECIFIED:  
MILLIMETERS:  
WHOLE NUMBER = ±.5  
X = ±.25  
XX = ±.12  
ANGLES ±1 DEGREE  
SURFACES 32 ✓

COURSE:	DDGT120
INVENTOR DRAWING NAME:	CASTER
FIG #:	14-90
DRAFTER:	L.LANDA
DATE:	12/14/2020
SCALE:	AS NOTED
PAGE #:	1 OF 4

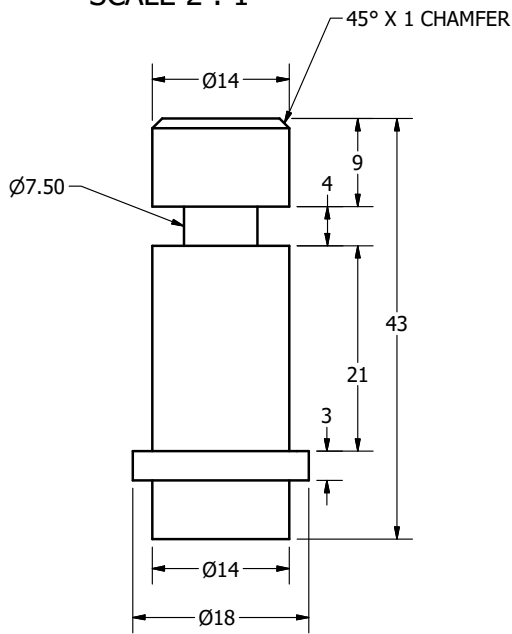




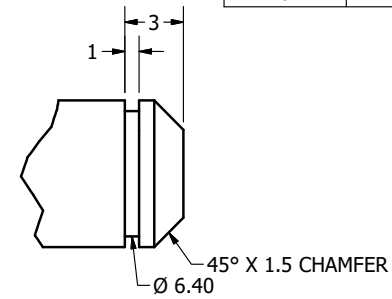
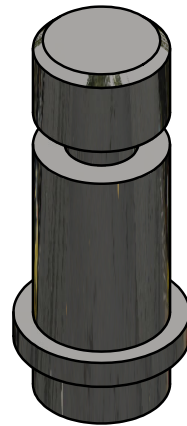
BUSHING  
SCALE 2 : 1



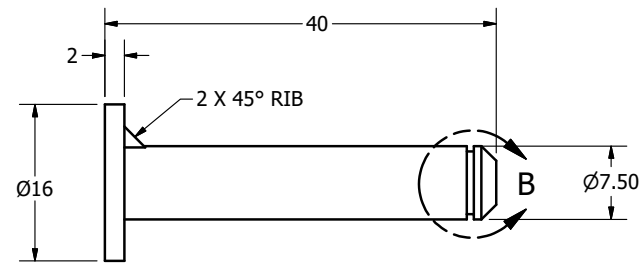
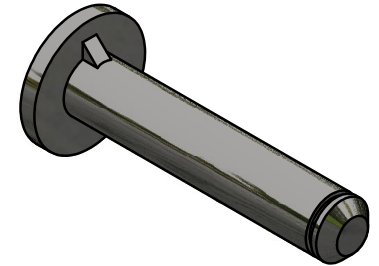
PARTS LIST		
ITEM	QTY	PART NUMBER
1	1	POST
3	1	CHAMFER
5	1	BUSHING
6	1	RETAINING RING



POST  
SCALE 2 : 1



DETAIL B  
SCALE 4 : 1



SHAFT  
SCALE 2 : 1

**LEGEND:**

- Ø DIAMETER
- R RADIUS
- ° DEGREES

METRIC

**GENERAL NOTES:**

ALL FILLETS R1 FOR WHEEL UNLESS OTHERWISE STATED



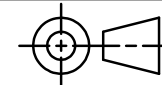
DIGITAL DESIGN  
GRAPHICS  
TECHNOLOGY

WWW.DDGT.NET



Laisha Landa  
Architecture & design

707-787-41-01  
laisha.landa55@yahoo.com



TOLERANCES UNLESS SPECIFIED:  
MILLIMETERS:  
WHOLE NUMBER = ±.5  
X = ±.25  
XX = ±.12  
ANGLES ±1 DEGREE  
SURFACES 32 ✓

COURSE: DDGT120

INVENTOR DRAWING NAME:

CASTER

FIG #: 14-90

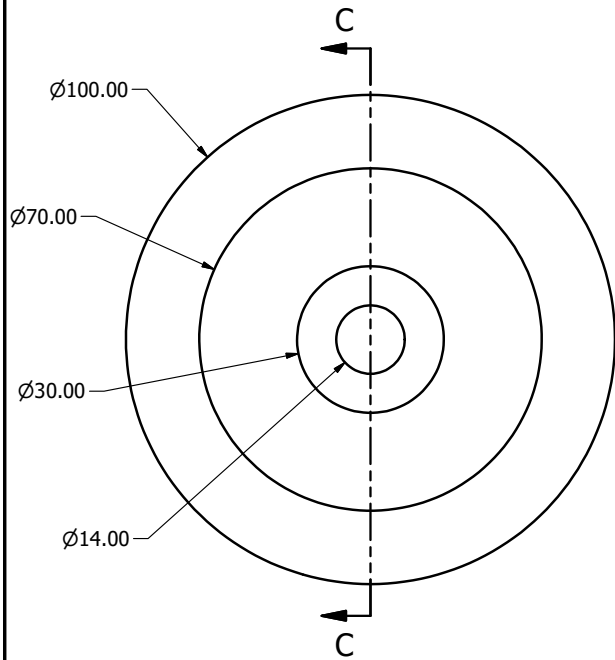
DRAFTER: L.LANDA

DATE: 12/14/2020

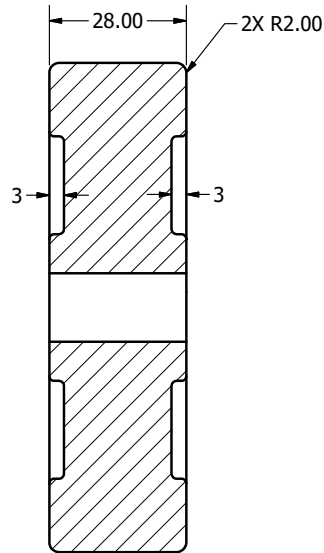
SCALE: AS NOTED

PAGE #: 3 OF 4

PARTS LIST		
ITEM	QTY	PART NUMBER
4	1	WHEEL



WHEEL  
SCALE 1 : 1



SECTION C-C  
SCALE 1 : 1



**LEGEND:**

- ∅ DIAMETER
- R RADIUS
- ° DEGREES

METRIC

**GENERAL NOTES:**  
ALL FILLETS R1 FOR WHEEL UNLESS OTHERWISE STATED



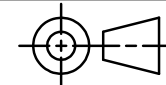
DIGITAL DESIGN  
GRAPHICS  
TECHNOLOGY

WWW.DDGT.NET



Laisha Landa  
Architecture & design

707-787-41-01  
laisha.landa55@yahoo.com



TOLERANCES UNLESS SPECIFIED:  
MILLIMETERS:  
WHOLE NUMBER = ±.5  
X = ±.25  
XX = ±.12  
ANGLES ±1 DEGREE  
SURFACES 32 ✓

COURSE: DDGT120

INVENTOR DRAWING NAME:  
CASTER

FIG #: 14-90

DRAFTER: L.LANDA

DATE: 12/14/2020

SCALE: AS NOTED

PAGE #: 4 OF 4