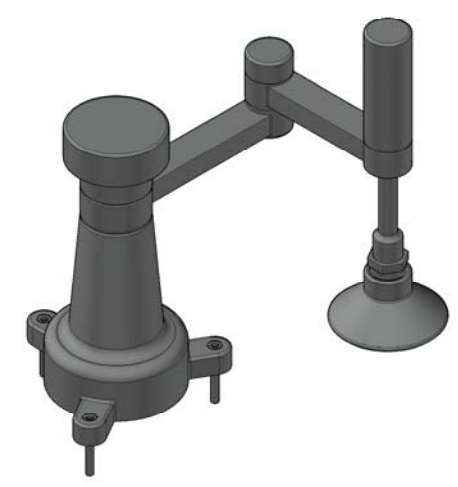


PARTS LIST

ITEM #	QTY	PART NAME	MATERIAL	DESCRIPTION
1	1	BASE E-01	ALUMINUM	PAINT FINISH
2	1	ARM E-01	ALUMINUM	PAINT FINISH
3	1	ARM E-02	ALUMINUM	PAINT FINISH
4	1	SLIDING TUBE	STEEL	
5	1	VACUUM CONE	STEEL	
6	1	VACUUM CUP	RUBBER	
7	1	BASE CAP	ALUMINUM	
8	1	ELBOW CAP	ALUMINUM	
9	1	VACUUM CAP	ALUMINUM	
10	3	CAP SCREW-1 $\frac{1}{4}$	STEEL	10-36UNS



ROBOTIC ARM ASSEMBLY

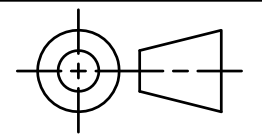


DIGITAL DESIGN
GRAPHICS
TECHNOLOGY
WWW.DDGT.NET

JOHN J. BOLLA
Digital Designer

designsjohnj@gmail.com
ddgt.net/StudentPages/jbolla

Specializing in CAD Design
and Visualization

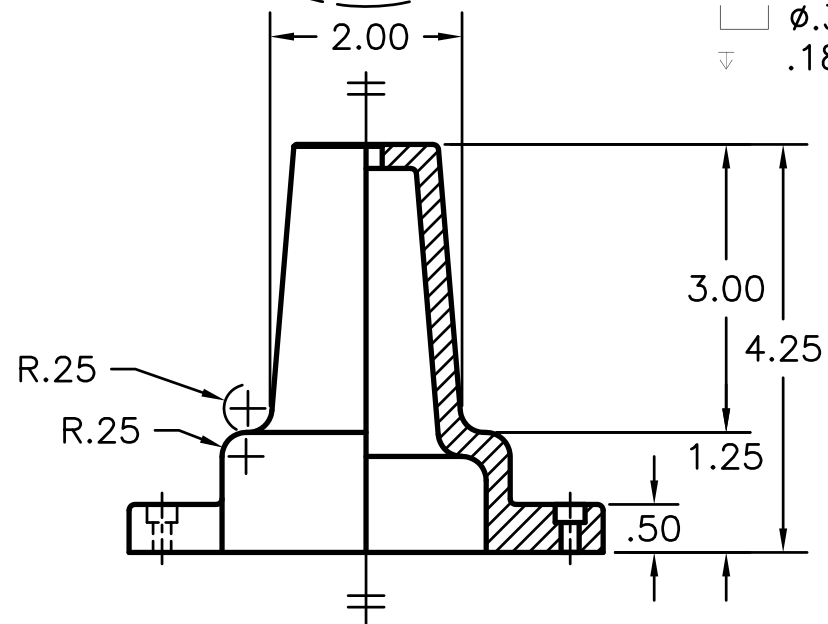
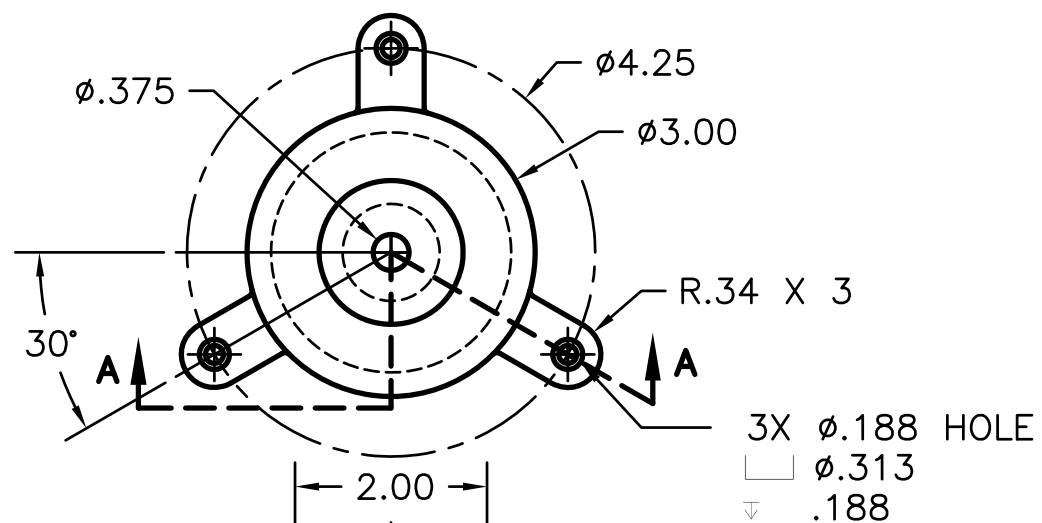


TOLERANCES UNLESS SPECIFIED:
 DECIMAL INCHES:
 X = ±.020
 XX = ±.010
 XXX = ±.005
 FRACTIONAL ±1/64"
 ANGLES ±1 DEGREE
 SURFACES 32√

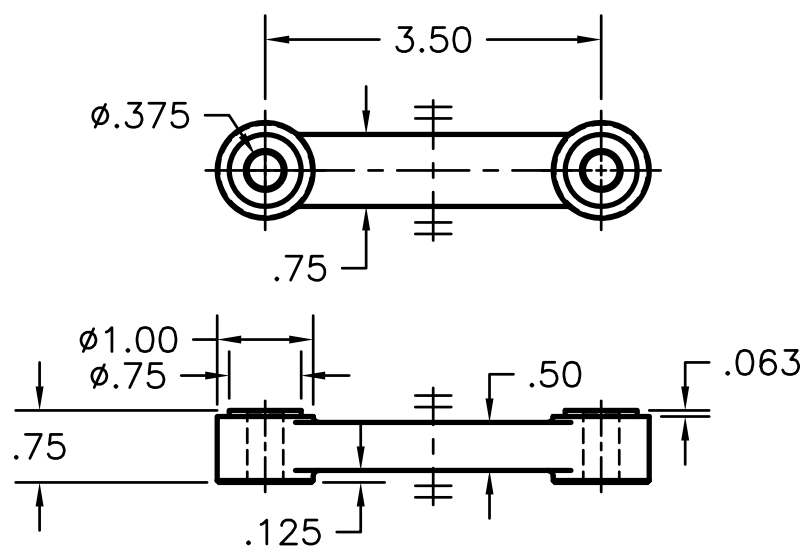
COURSE:	DDGT 241
AUTOCAD DRAWING NAME:	ROBOTIC ARM
FIG #:	1058
DRAFTER:	J. BOLLA
DATE:	2-15-2017
SCALE:	AS NOTED
PAGE #:	1 OF 4

PARTS LIST

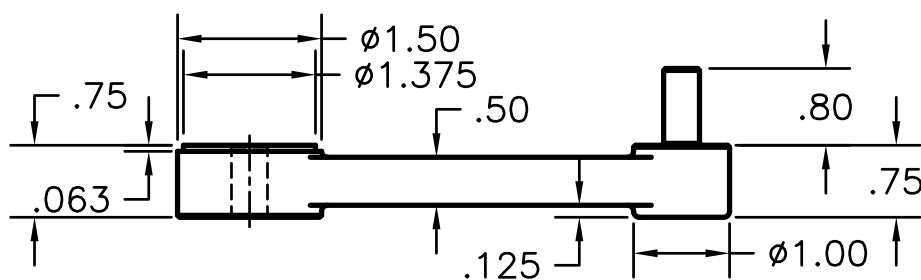
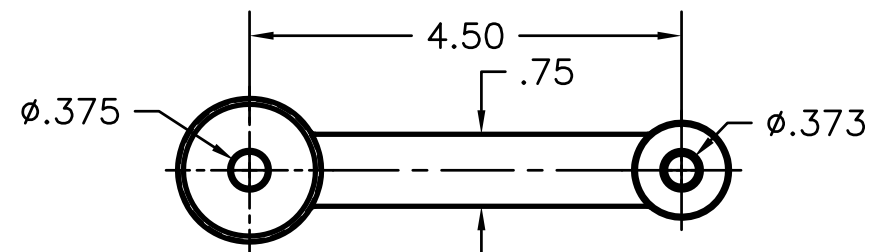
ITEM #	QTY	PART NAME
1	1	BASE E-01
2	1	ARM E-01
3	1	ARM E-02



BASE E-01
SCALE 1:1



ARM E-02
SCALE 1:1



ARM E-01
SCALE 1:1

LEGEND:

- DEGREES
- ∅ DIAMETER
- R RADIUS
- COUNTERBORE
- ▽ DEPTH CALL OUT

ALL FILLETS .06R UNLESS OTHER WISE STATED

DDGT

DIGITAL DESIGN
GRAPHICS
TECHNOLOGY

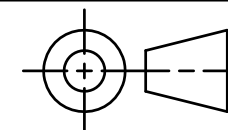
WWW.DDGT.NET

JOHN J. BOLLA

Digital Designer

designsjohnj@gmail.com
ddgt.net/StudentPages/jbolla

Specializing in CAD Design
and Visualization



TOLERANCES UNLESS SPECIFIED:
DECIMAL INCHES:
X = ±.020
XX = ±.010
XXX = ±.005
FRACTIONAL ±1/64"
ANGLES ±1 DEGREE

SURFACES 32/

COURSE: DDGT 241

AUTOCAD DRAWING NAME:

ROBOTIC ARM

FIG #: 1058

DRAFTER: J. BOLLA

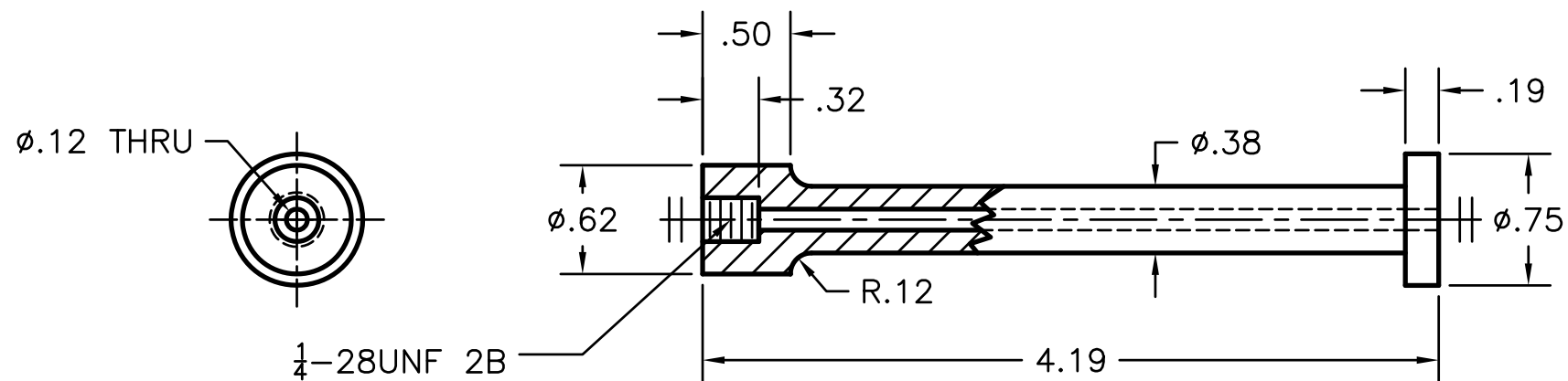
DATE: 2-15-2017

SCALE: AS NOTED

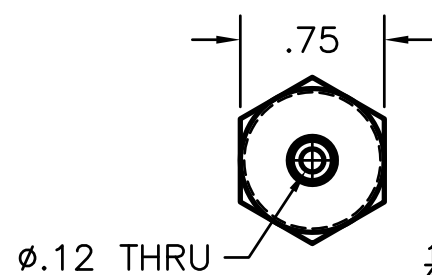
PAGE #: 2 OF 4

PARTS LIST

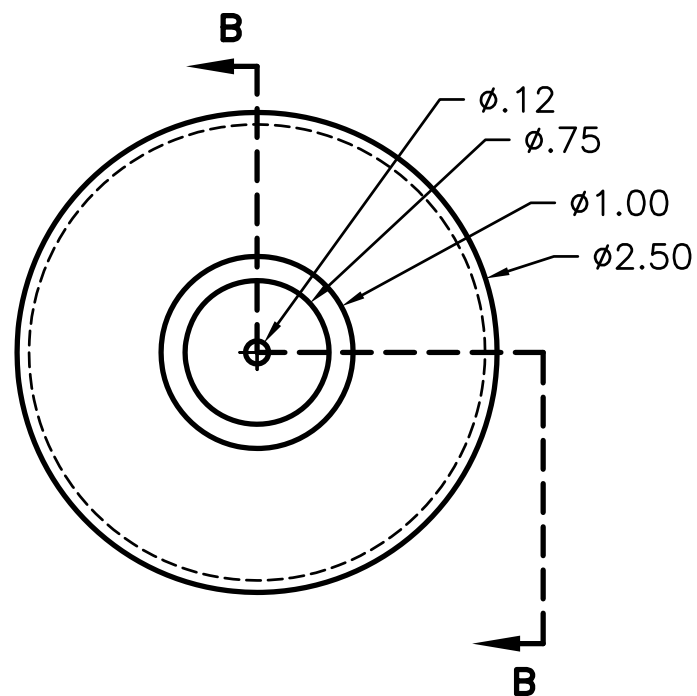
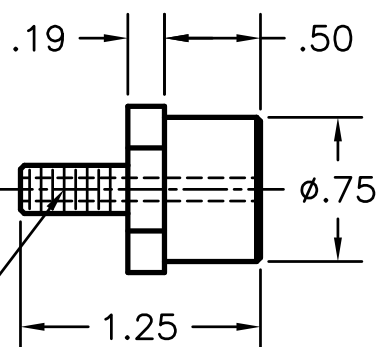
ITEM #	QTY	PART NAME
4	1	SLDING TUBE
5	1	VACUUM CONNECTOR
6	1	VACUUM CUP



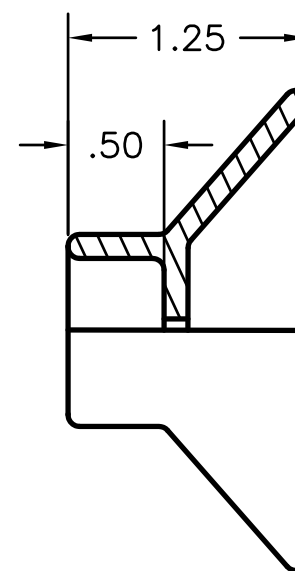
SLIDING TUBE
SCALE 2:1



VACUUM CONNECTOR
SCALE 2:1



VACUUM CUP
SCALE 2:1



SECTION B-B

LEGEND:

- DEGREES
- ∅ DIAMETER
- R RADIUS
- ┌ COUNTERBORE
- ∇ DEPTH CALL OUT

ALL FILLETS .06R UNLESS OTHER WISE STATED

DDGT

DIGITAL DESIGN
GRAPHICS
TECHNOLOGY

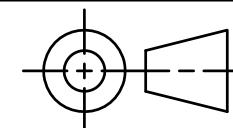
WWW.DDGT.NET

JOHN J. BOLLA

Digital Designer

designsjohnj@gmail.com
ddgt.net/StudentPages/jbolla

Specializing in CAD Design
and Visualization



TOLERANCES UNLESS SPECIFIED:
DECIMAL INCHES:
X = ±.020
XX = ±.010
XXX = ±.005
FRACTIONAL ±1/64"
ANGLES ±1 DEGREE

SURFACES 32/

COURSE: DDGT 241

AUTOCAD DRAWING NAME:

ROBOTIC ARM

FIG #: 1058

DRAFTER: J. BOLLA

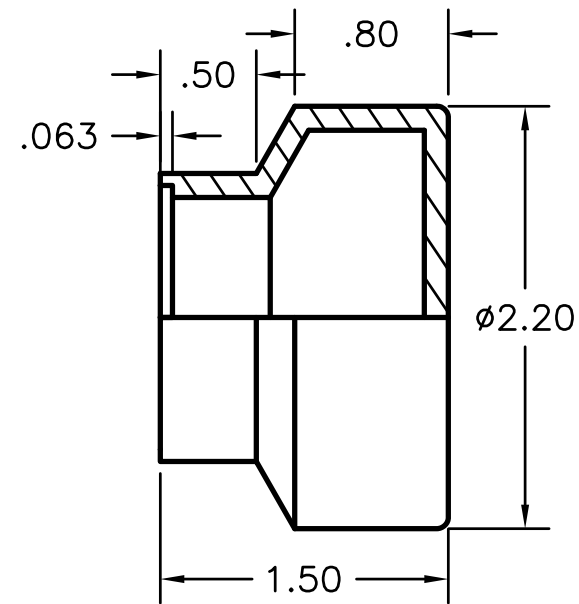
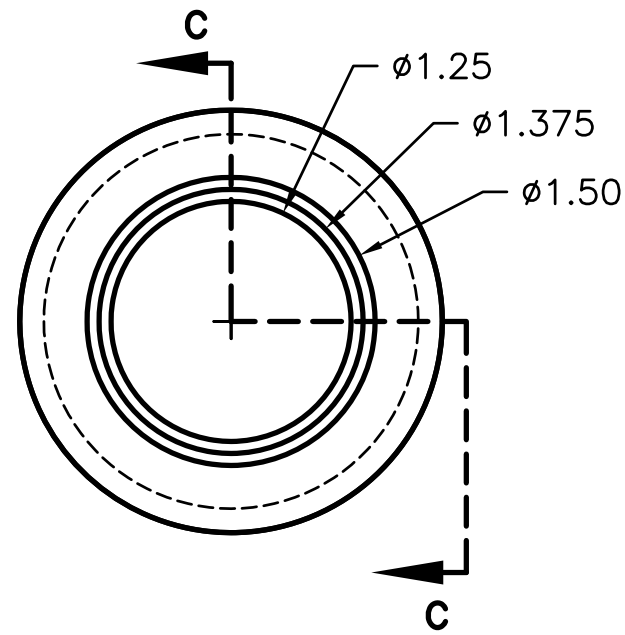
DATE: 2-15-2017

SCALE: AS NOTED

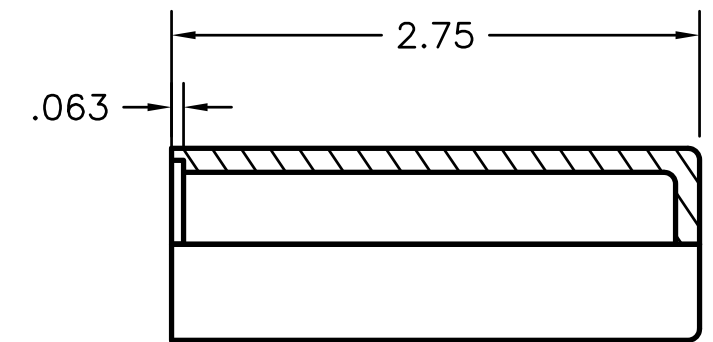
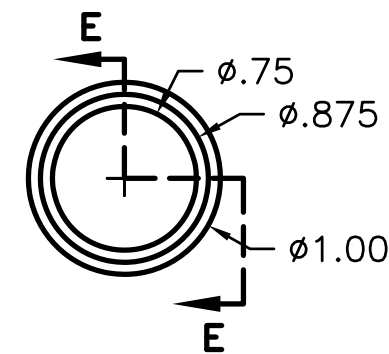
PAGE #: 3 OF 4

PARTS LIST

ITEM #	QTY	PART NAME
7	1	BASE CAP
8	1	ELBOW CAP
9	1	VACUUM CUP
10	3	CAP SCREW-1¼

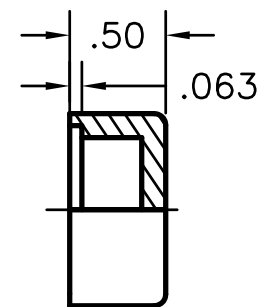
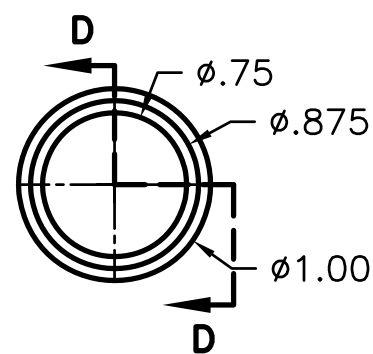


BASE CAP
SCALE 2:1



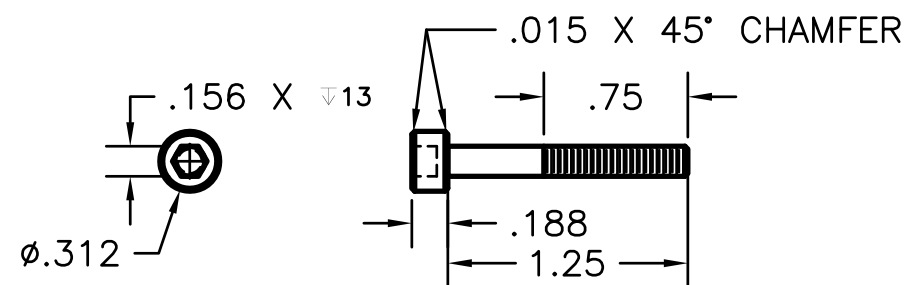
SECTION E-E

VACUUM CAP
SCALE 2:1



SECTION D-D

ELBOW CAP
SCALE 2:1



CAP SCREW-1¼
SCALE 2:1

LEGEND:

- DEGREES
- ∅ DIAMETER
- R RADIUS
- COUNTERBORE
- ∇ DEPTH CALL OUT

ALL FILLETS .06R UNLESS OTHER WISE STATED



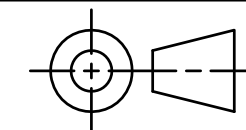
DIGITAL DESIGN
GRAPHICS
TECHNOLOGY

WWW.DDGT.NET

JOHN J. BOLLA
Digital Designer

designsjohnj@gmail.com
ddgt.net/StudentPages/jbolla

Specializing in CAD Design
and Visualization



TOLERANCES UNLESS SPECIFIED:

DECIMAL INCHES:
X = ±.020
XX = ±.010
XXX = ±.005
FRACTIONAL ±1/64"
ANGLES ±1 DEGREE

SURFACES 32/

COURSE: DDGT 241

AUTOCAD DRAWING NAME:

ROBOTIC ARM

FIG #: 1058

DRAFTER: J. BOLLA

DATE: 2-15-2017

SCALE: AS NOTED

PAGE #: 4 OF 4