

ROBOTIC ARM ASSEMBLY  
SCALE 1 : 1

PARTS LIST				
ITEM	QTY	PART NUMBER	DESCRIPTION	MATERIAL
1	1	BASE	.25 THICKNESS	ALUMINUM
2	1	ARM E01		ALUMINUM
3	1	ARM E02		ALUMINUM
4	1	SLIDING TUBE ASSEMBLY		
4.1	1	SLIDING TUBE TOP		Generic
4.2	1	SLIDING TUBE BOTTOM		Generic
5	1	VACUUM CONNECTOR		
6	1	VACUUM CAP	.125 THICKNESS	ALUMINUM
7	1	BASE CAP		STEEL
8	1	ELBOW CAP	.125 THICKNESS	ALUMINUM
9	1	VACUUM CAP		STEEL
10	3	CAP SCREW - 1 1/4	10-36 UNS	STEEL
11	1	HOSE	.125 THICKNESS, .125 OUTER DIAMETER	RUBBER

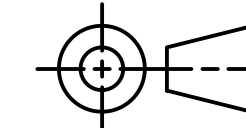
**DDGT**

DIGITAL DESIGN  
GRAPHICS  
TECHNOLOGY

WWW.DDGT.NET

GENERAL NOTES:  
ALL FILLETS R. 06  
CHAMFER ALL FINISHED  
EDGES AND HOLES  
.02 X 45°  
UNLESS OTHER WISE  
STATED

**JOHN J. BOLLA**  
Digital Designer  
designjohnj@gmail.com  
ddgt.net/StudentPages/jbolla  
Specializing in CAD Design  
and Visualization



TOLERANCES UNLESS SPECIFIED  
DECIMAL INCHES  
X = ± .020  
XX = ± .010  
XXX = ± .005  
FRACTIONAL ± 1/64"  
ANGLES ± 1 DEGREE  
SURFACES 32 ✓

COURSE: DDGT 241

INVENTOR DRAWING NAME:  
ROBOTIC ARM

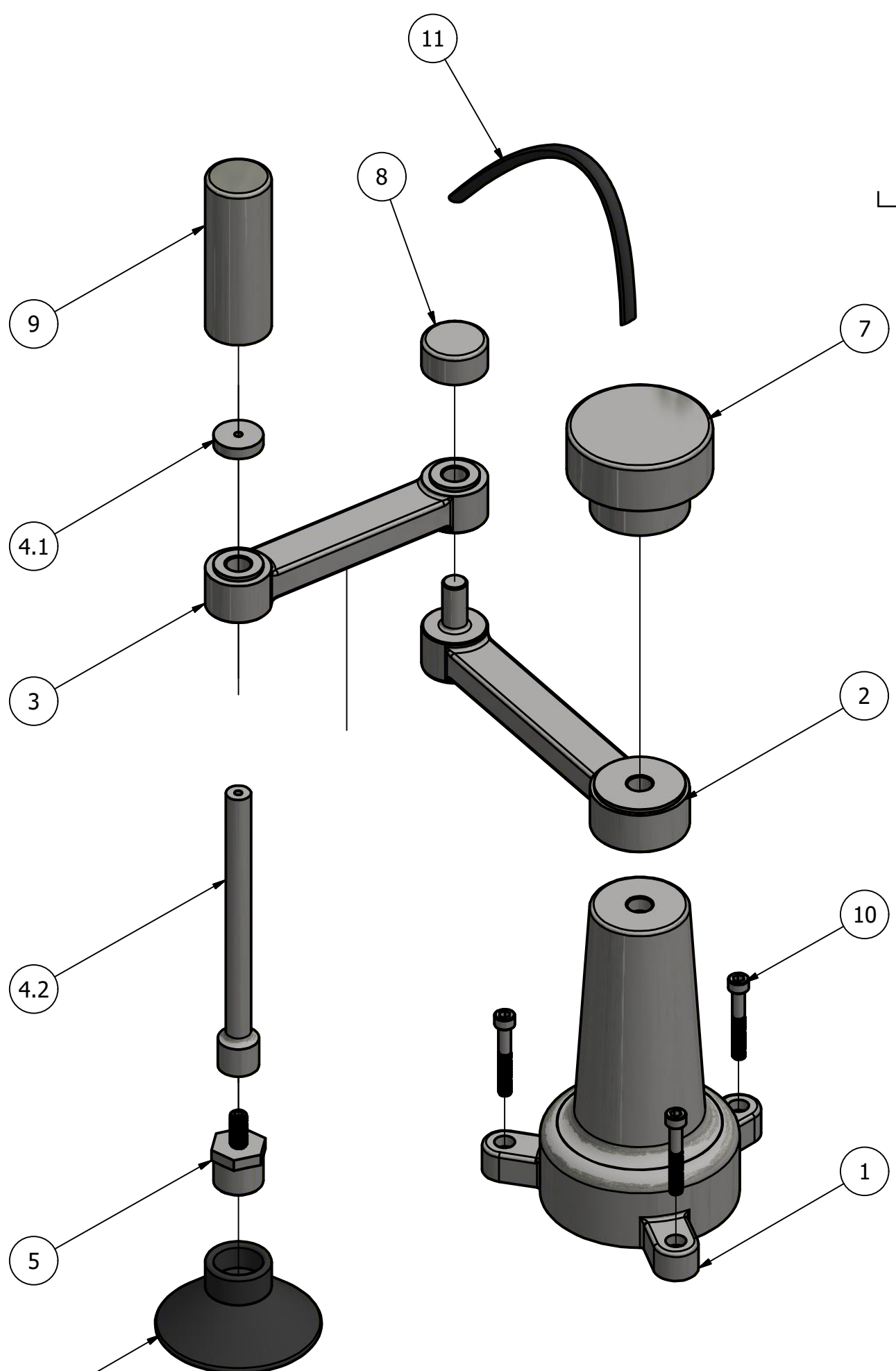
FIG #: 1058

DRAFTER: J. BOLLA

DATE: 3/1/2017

SCALE: AS NOTED

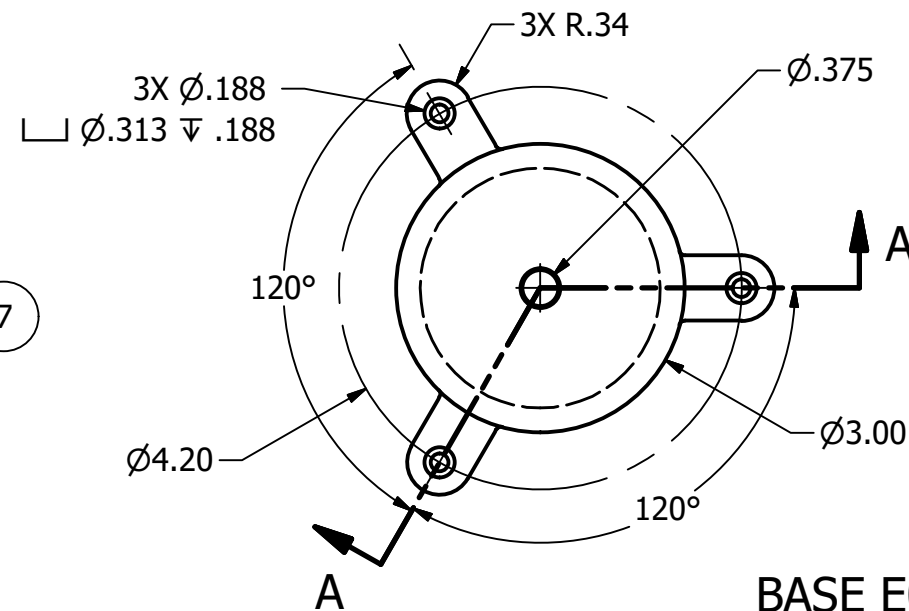
PAGE #: 1 OF 5



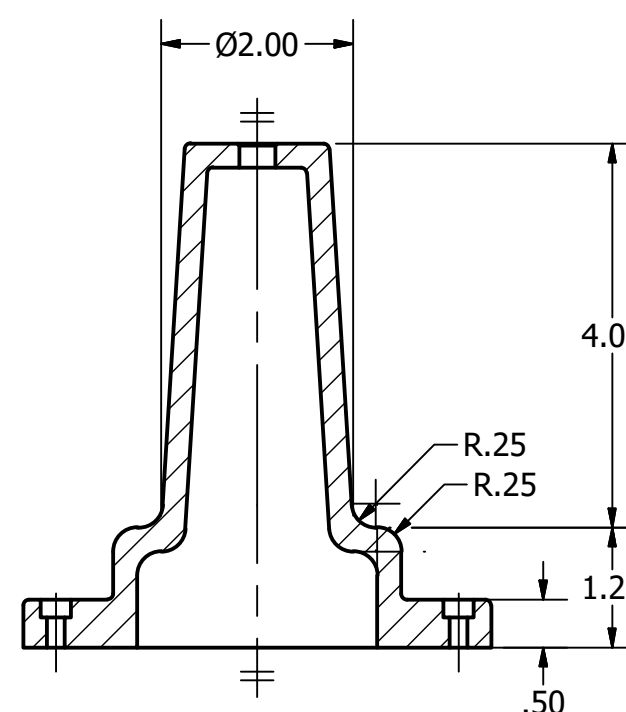
ROBOTIC ARM EXPLODED ASSEMBLY  
SCALE 1 / 2

**LEGEND:**

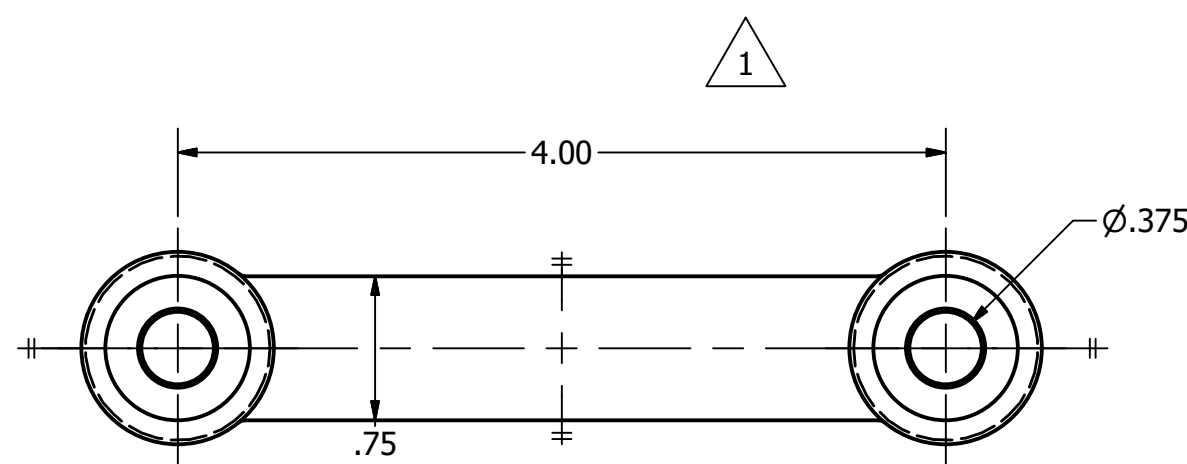
- ∅ DIAMETER
- R RADIUS
- ° DEGREES
- ┌ COUNTERBORE
- ∇ DEPTH CALL OUT



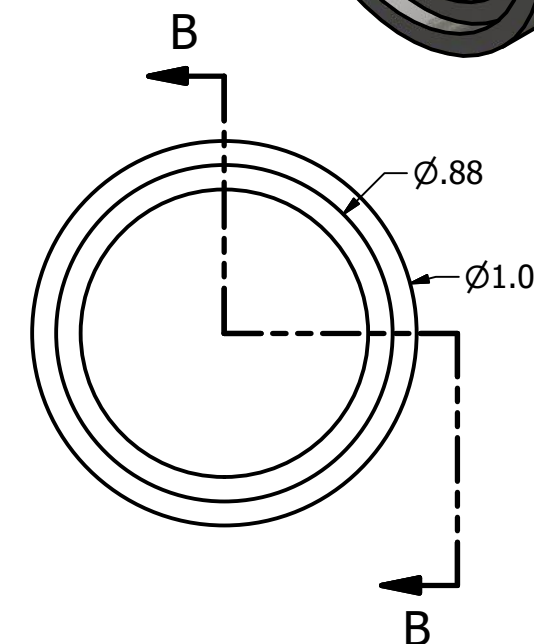
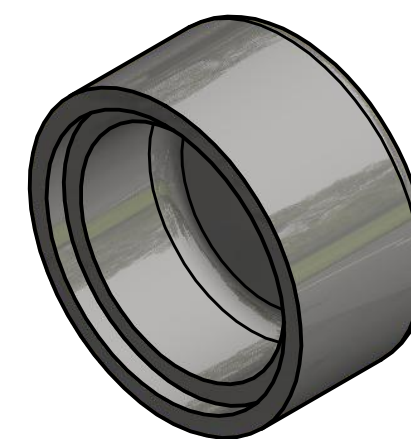
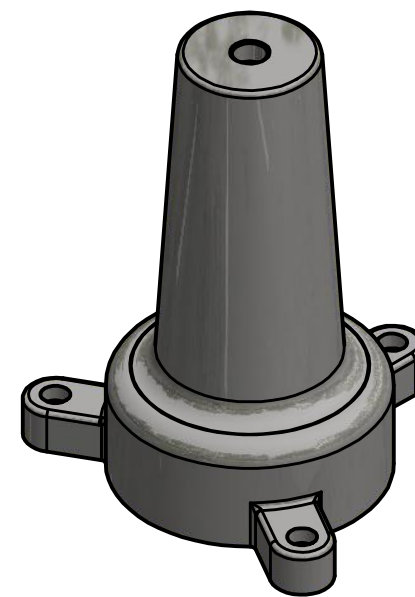
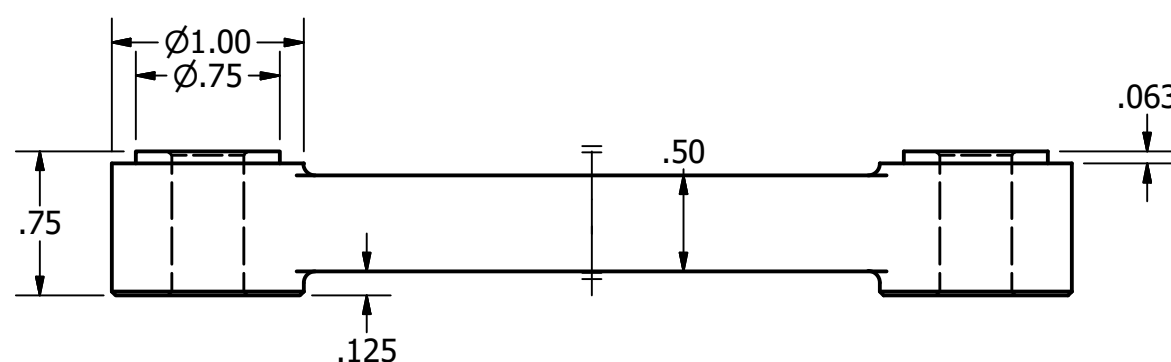
BASE E01  
SCALE 1 / 2



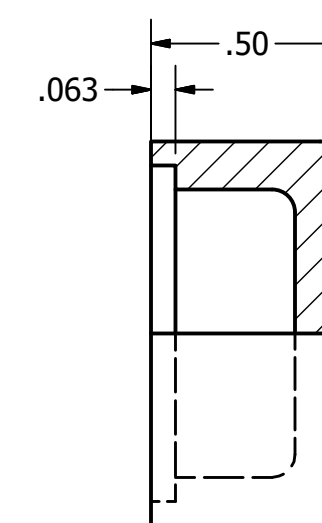
SECTION A-A  
SCALE 1 / 2



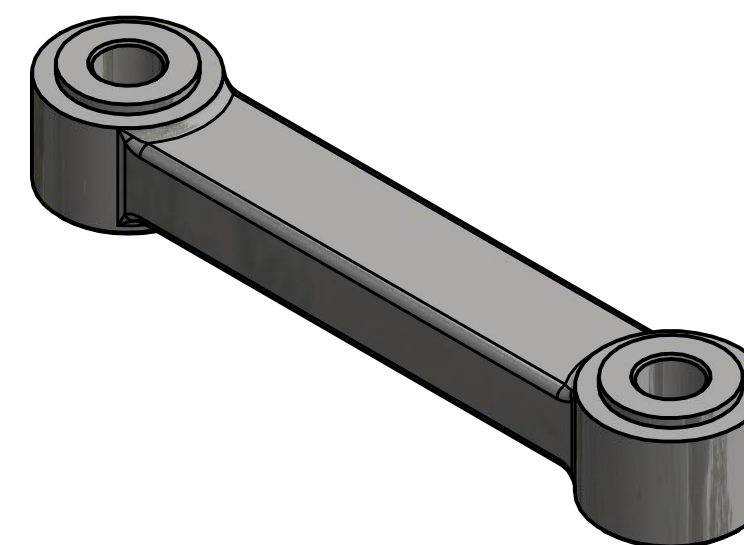
ARM E02  
SCALE 1 : 1



ELBOW CAP  
SCALE 2 : 1



SECTION B-B  
SCALE 2 : 1



PARTS LIST		
ITEM	QTY	PART NUMBER
1	1	BASE
3	1	ARM E02
4	1	SLIDING TUBE ASSEMBLY
4.1	1	SLIDING TUBE TOP
4.2	1	SLIDING TUBE BOTTOM
5	1	VACUUM CONNECTOR
8	1	ELBOW CAP

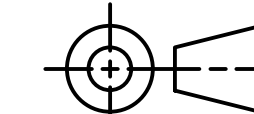


DIGITAL DESIGN  
GRAPHICS  
TECHNOLOGY

WWW.DDGT.NET

GENERAL NOTES:  
ALL FILLETS R. 06  
CHAMFER ALL FINISHED  
EDGES AND HOLES  
.02 X 45°  
UNLESS OTHERWISE  
STATED

JOHN J. BOLLA  
Digital Designer  
designjohn@gmail.com  
ddgt.net/StudentPages/jbolla  
Specializing in CAD Design  
and Visualization



TOLERANCES UNLESS SPECIFIED  
DECIMAL INCHES  
X = ± .020  
XX = ± .010  
XXX = ± .005  
FRACTIONAL ± 1/64"  
ANGLES ± 1 DEGREE  
SURFACES 32 ✓

COURSE: DDGT 241

INVENTOR DRAWING NAME:  
ROBOTIC ARM

FIG #: 1058

DRAFTER: J. BOLLA

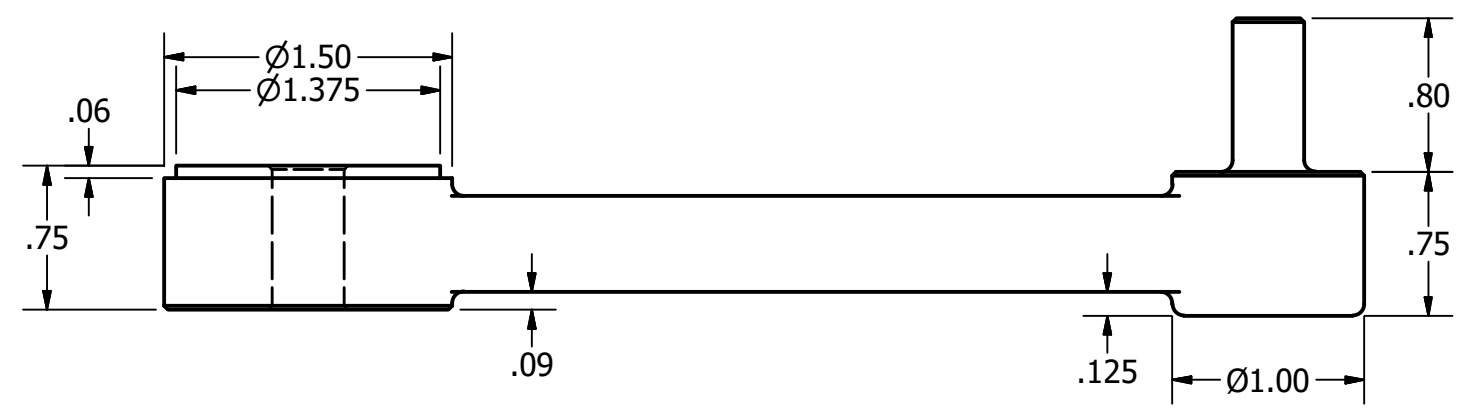
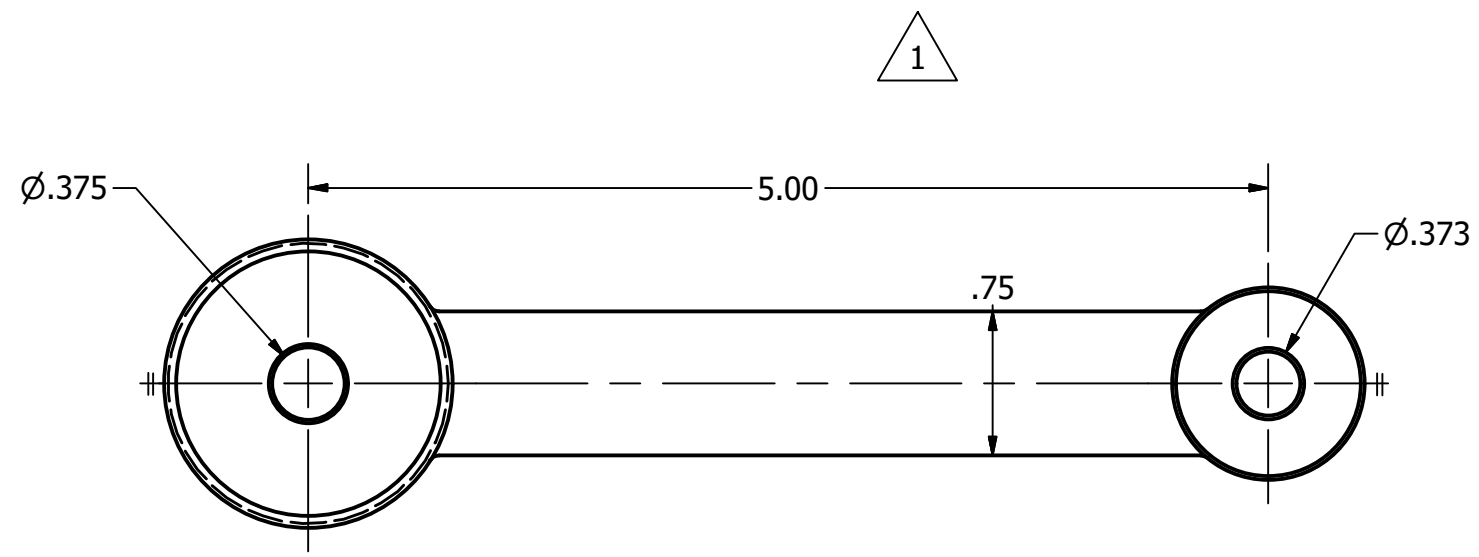
DATE: 3/1/2017

SCALE: AS NOTED

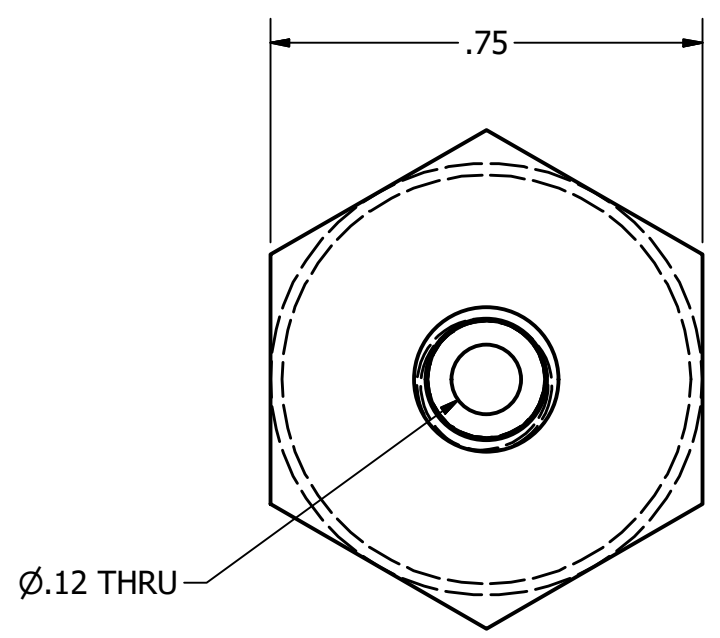
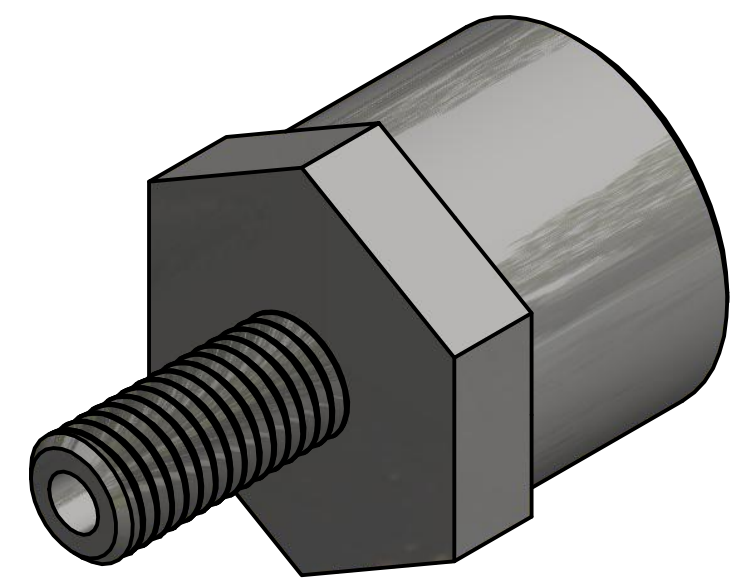
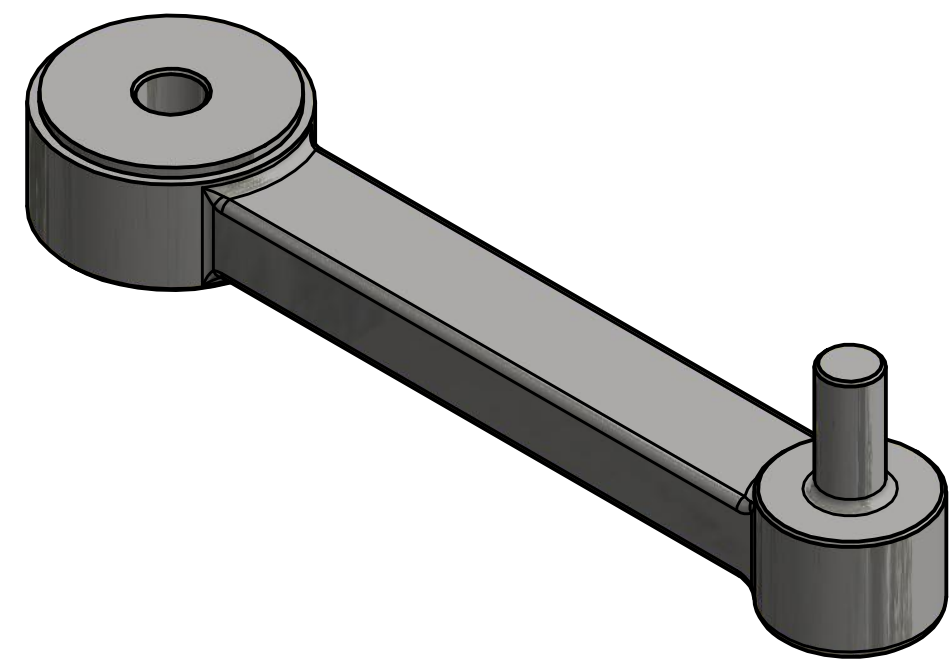
PAGE #: 2 OF 5

REV	DESCRIPTION	DATE	PAGE NUMBER
4	SLIDING TUBE LENGTH CHANGED FROM 4.19" TO 5.19"	3/1/2017	
3	ARM E02 LENGTH CHANGED FROM 3.50" TO 4.00"	3/1/2017	
2	ARM E01 LENGTH CHANGED FROM 4.50" TO 5.00"	3/1/2017	
1	BASE HEIGHT CHANGED FROM 3.00" TO 4.00"	3/1/2017	

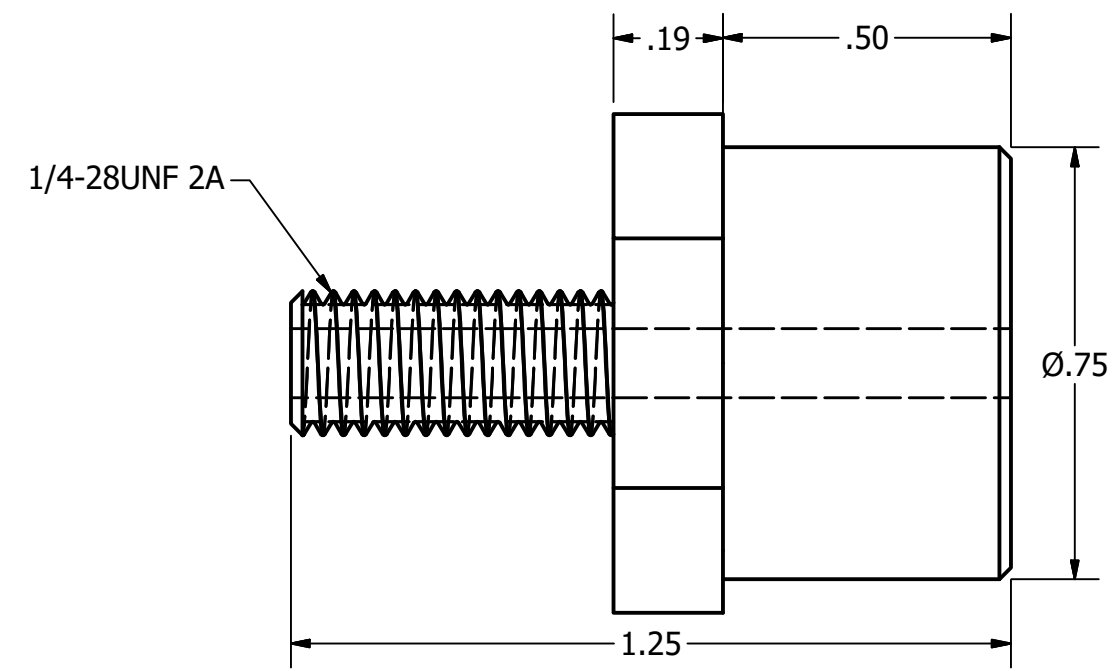
REVISION HISTORY



ARM E01  
SCALE 1 : 1



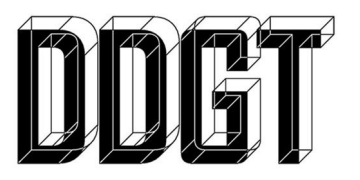
VACUUM CONNECTOR  
SCALE 3 : 1



PARTS LIST		
ITEM	QTY	PART NUMBER
2	1	ARM E01
5	1	VACUUM CONNECTOR
4	1	SLIDING TUBE ASSEMBLY
4.1	1	SLIDING TUBE TOP
4.2	1	SLIDING TUBE BOTTOM

**LEGEND:**

- Ø DIAMETER
- R RADIUS
- ° DEGREES
- COUNTERBORE
- ▽ DEPTH CALL OUT

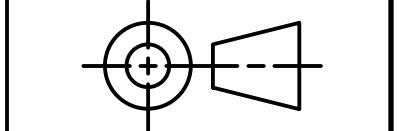


DIGITAL DESIGN  
GRAPHICS  
TECHNOLOGY

WWW.DDGT.NET

GENERAL NOTES:  
ALL FILLETS R. 06  
CHAMFER ALL FINISHED  
EDGES AND HOLES  
.02 X 45°  
UNLESS OTHERWISE  
STATED

**JOHN J. BOLLA**  
Digital Designer  
designjohn@gmail.com  
ddgt.net/StudentPages/jbolla  
Specializing in CAD Design  
and Visualization



TOLERANCES UNLESS SPECIFIED  
DECIMAL INCHES  
X = ± .020  
XX = ± .010  
XXX = ± .005  
FRACTIONAL ± 1/64"  
ANGLES ± 1 DEGREE  
SURFACES 32 ✓

COURSE: DDGT 241

INVENTOR DRAWING NAME:

ROBOTIC ARM

FIG #: 1058

DRAFTER: J. BOLLA

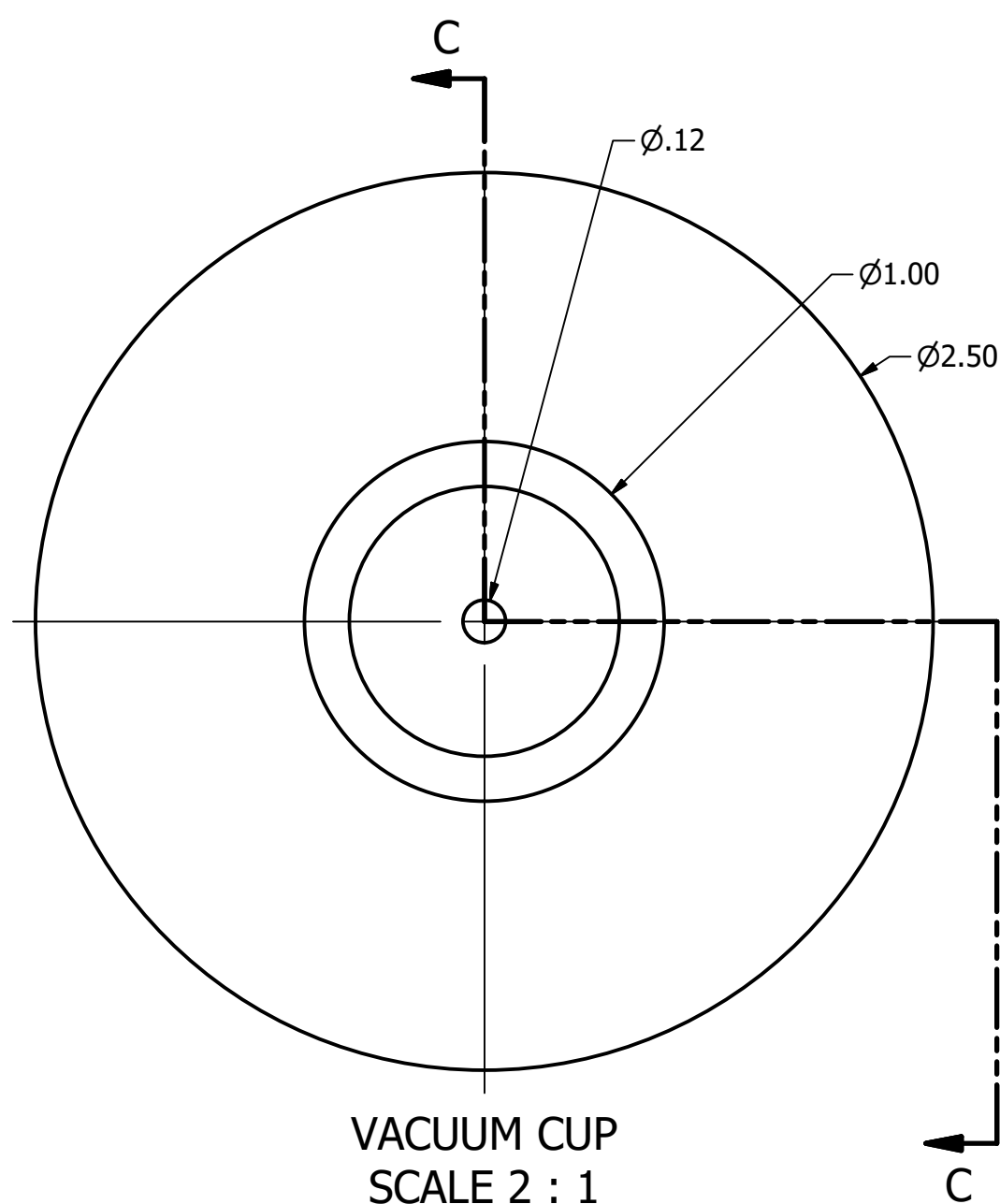
DATE: 3/1/2017

SCALE: AS NOTED

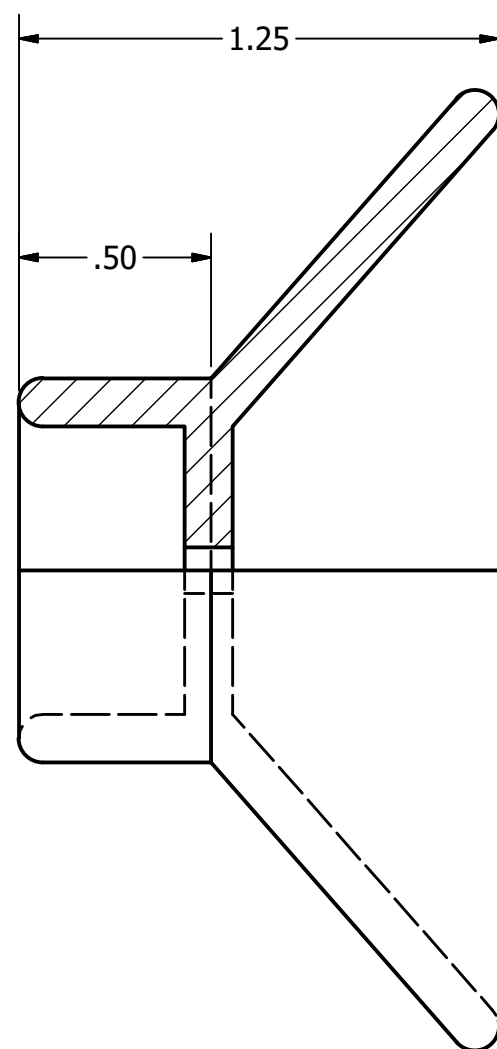
PAGE #: 3 OF 5

REV	DESCRIPTION	DATE	PAGE NUMBER
2	ARM E01 LENGTH CHANGED FROM 4.50" TO 5.00"	3/1/2017	3

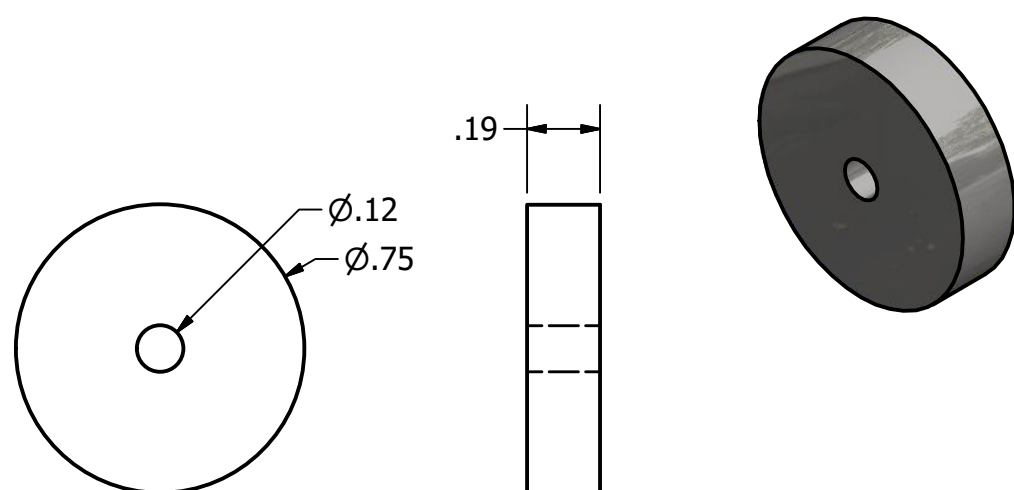
REVISION HISTORY



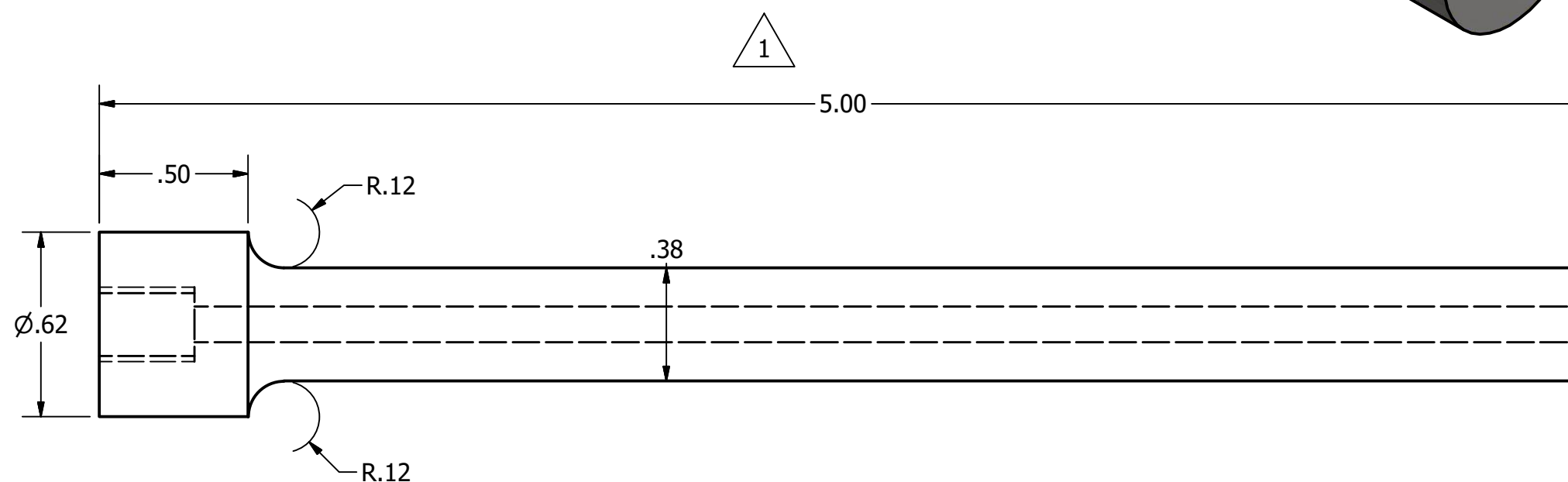
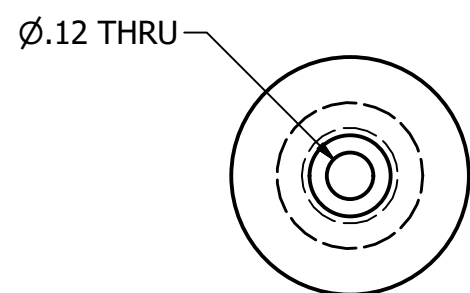
VACUUM CUP  
SCALE 2 : 1



SECTION C-C  
SCALE 2 : 1



SLIDING TUBE TOP  
SCALE 2 : 1

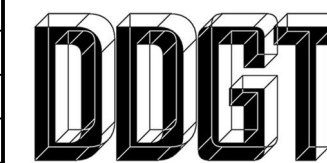


SLIDING TUBE BOTTOM  
SCALE 2 : 1

PARTS LIST		
ITEM	QTY	PART NUMBER
7	1	BASE CAP
8	1	ELBOW CAP
4	1	SLIDING TUBE ASSEMBLY
4.1	1	SLIDING TUBE TOP
4.2	1	SLIDING TUBE BOTTOM

**LEGEND:**

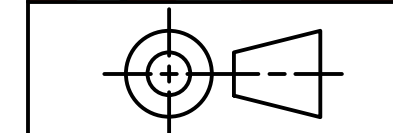
- ∅ DIAMETER
- R RADIUS
- ° DEGREES
- └┘ COUNTERBORE
- ▽ DEPTH CALL OUT



DIGITAL DESIGN  
GRAPHICS  
TECHNOLOGY

WWW.DDGT.NET

GENERAL NOTES:  
ALL FILLETS R. 06  
CHAMFER ALL FINISHED  
EDGES AND HOLES  
.02 X 45°  
UNLESS OTHERWISE  
STATED



TOLERANCES UNLESS SPECIFIED  
DECIMAL INCHES  
X = ± .020  
XX = ± .010  
XXX = ± .005  
FRACTIONAL ± 1/64"  
ANGLES ± 1 DEGREE  
SURFACES 32 ✓

COURSE: DDGT 241

INVENTOR DRAWING NAME:

ROBOTIC ARM

FIG #: 1058

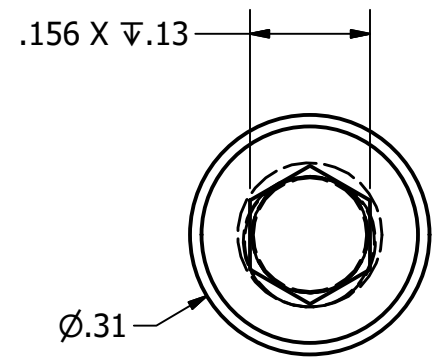
DRAFTER: J. BOLLA

DATE: 3/1/2017

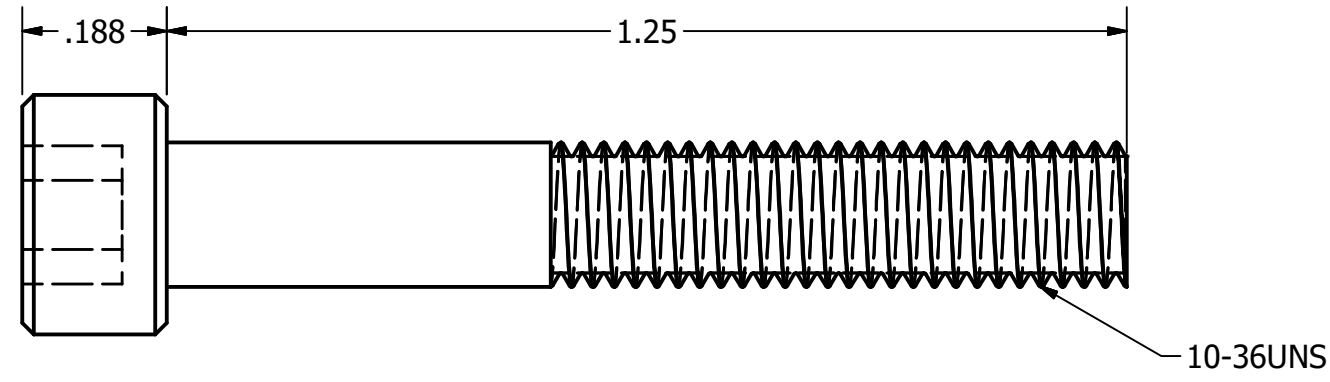
SCALE: AS NOTED

PAGE #: 4 OF 5

REV	DESCRIPTION	DATE	PAGE NUMBER
4	SLIDING TUBE LENGTH CHANGED FROM 4.19" TO 5.19"	3/1/2017	4
REVISION HISTORY			



CAP SCREW  
SCALE 4 : 1



10-36UNS

**LEGEND:**

- Ø DIAMETER
- R RADIUS
- ° DEGREES
- ┌ COUNTERBORE
- ∇ DEPTH CALL OUT

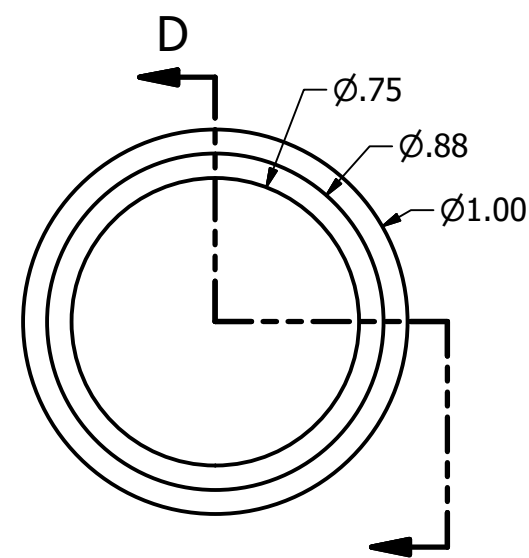
PARTS LIST		
ITEM	QTY	PART NUMBER
7	1	BASE CAP
8	1	ELBOW CAP
10	3	CAP SCREW - 1 1/4
4	1	SLIDING TUBE ASSEMBLY
4.1	1	SLIDING TUBE TOP
4.2	1	SLIDING TUBE BOTTOM



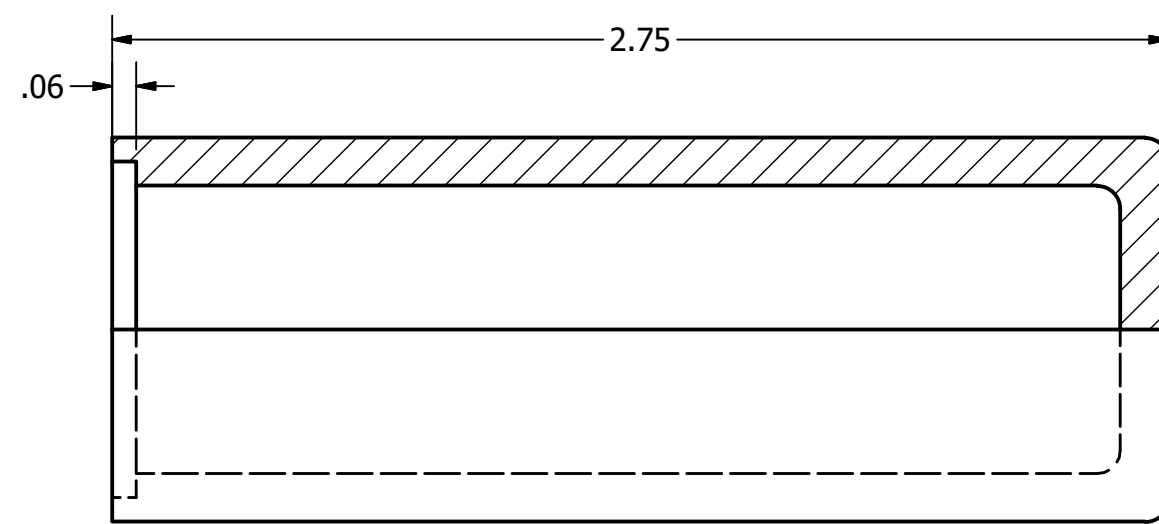
DIGITAL DESIGN  
GRAPHICS  
TECHNOLOGY

WWW.DDGT.NET

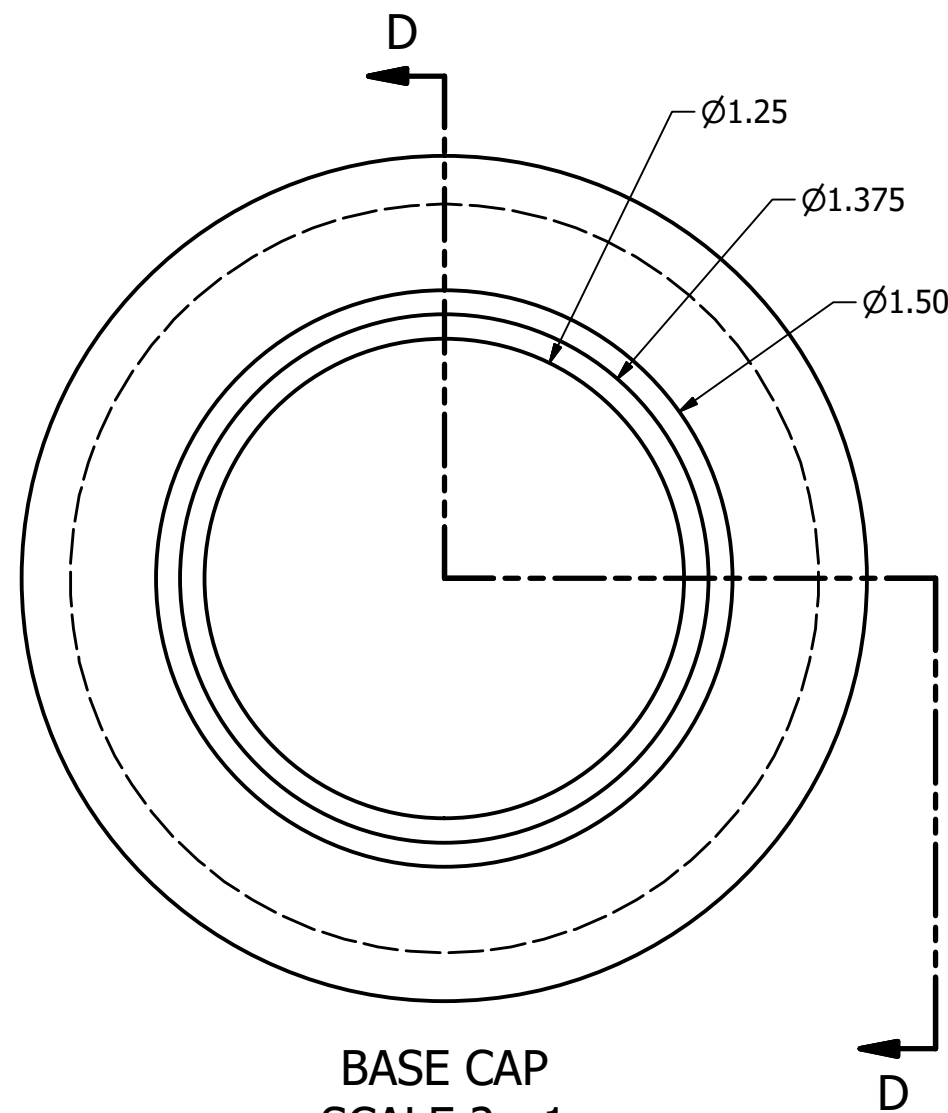
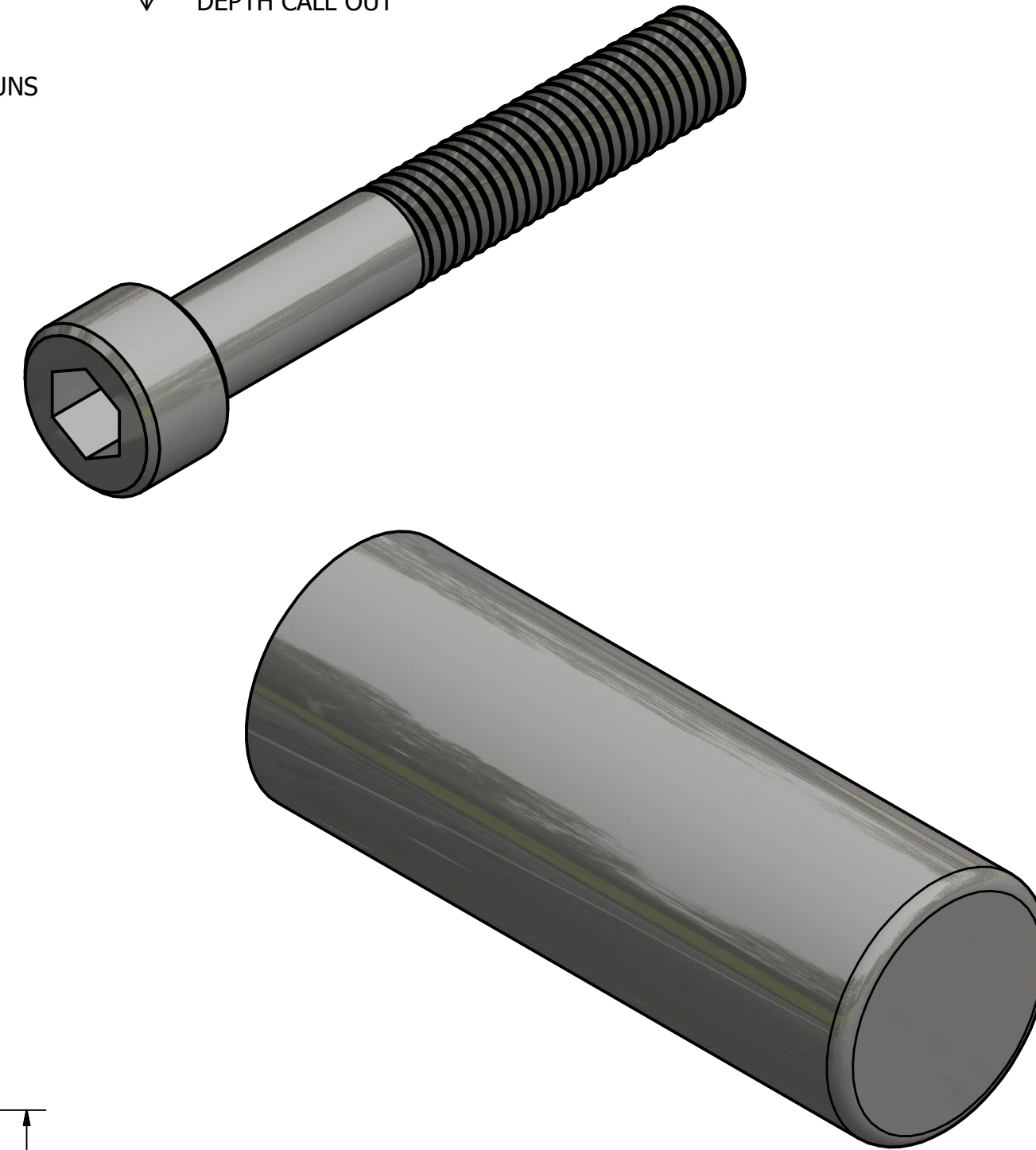
GENERAL NOTES:  
ALL FILLETS R. 06  
CHAMFER ALL FINISHED  
EDGES AND HOLES  
.02 X 45°  
UNLESS OTHERWISE  
STATED



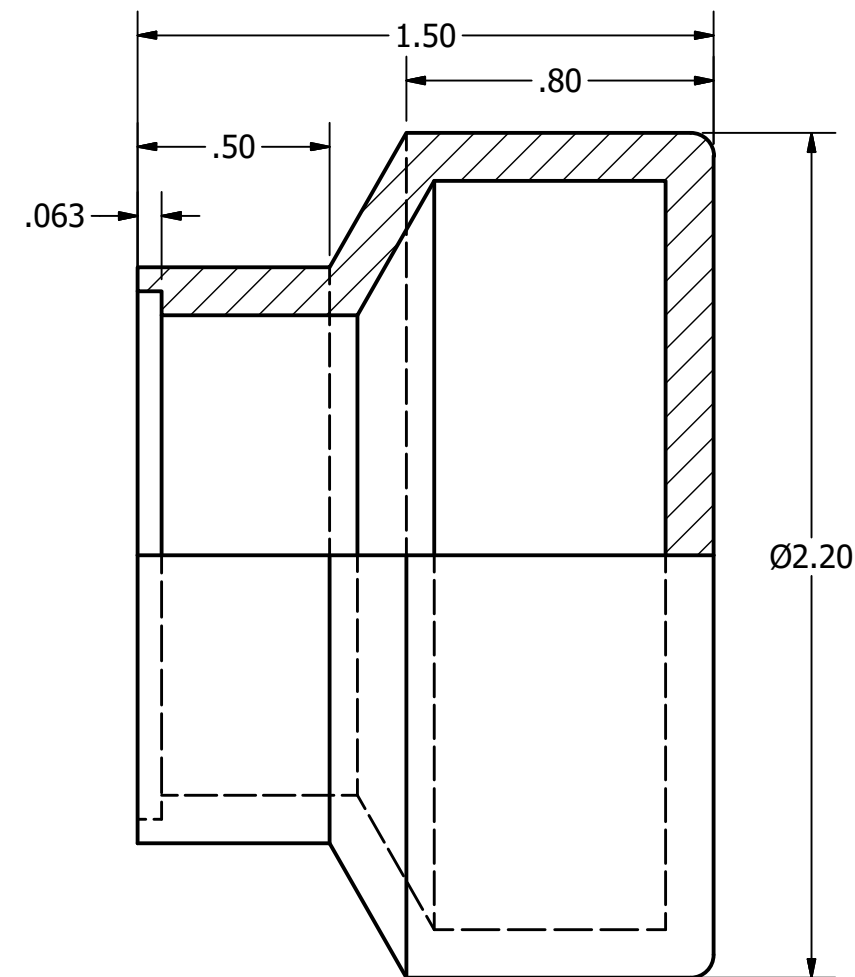
VACUUM CAP  
SCALE 2 : 1



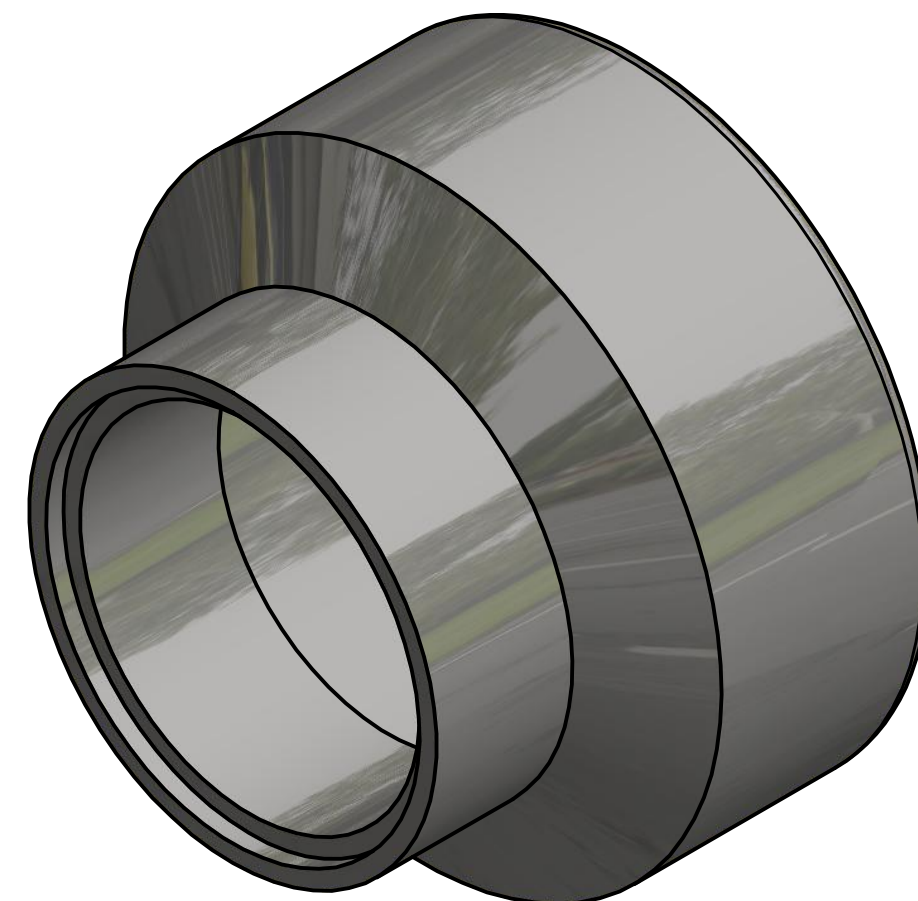
SECTION D-D  
SCALE 2 : 1



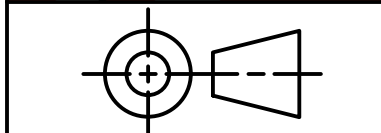
BASE CAP  
SCALE 2 : 1



SECTION D-D  
SCALE 2 : 1



JOHN J. BOLLA  
Digital Designer  
designjohn@gmail.com  
ddgt.net/StudentPages/jbolla  
Specializing in CAD Design  
and Visualization



TOLERANCES UNLESS SPECIFIED  
DECIMAL INCHES  
X = ± .020  
XX = ± .010  
XXX = ± .005  
FRACTIONAL ± 1/64"  
ANGLES ± 1 DEGREE  
SURFACES 32 ✓

COURSE: DDGT 241

INVENTOR DRAWING NAME:  
ROBOTIC ARM

FIG #: 1058

DRAFTER: J. BOLLA

DATE: 3/1/2017

SCALE: AS NOTED

PAGE #: 5 OF 5