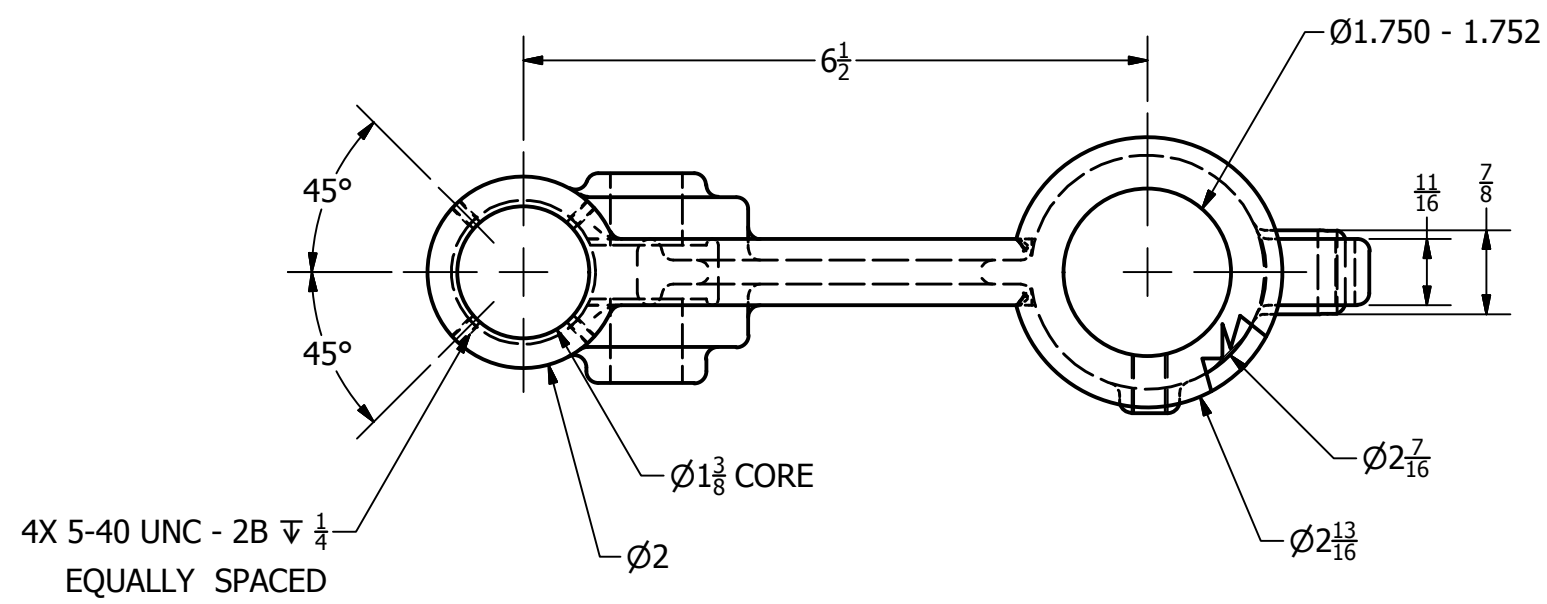
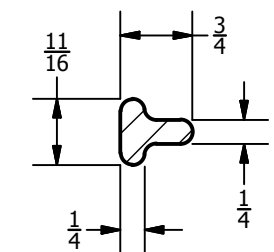


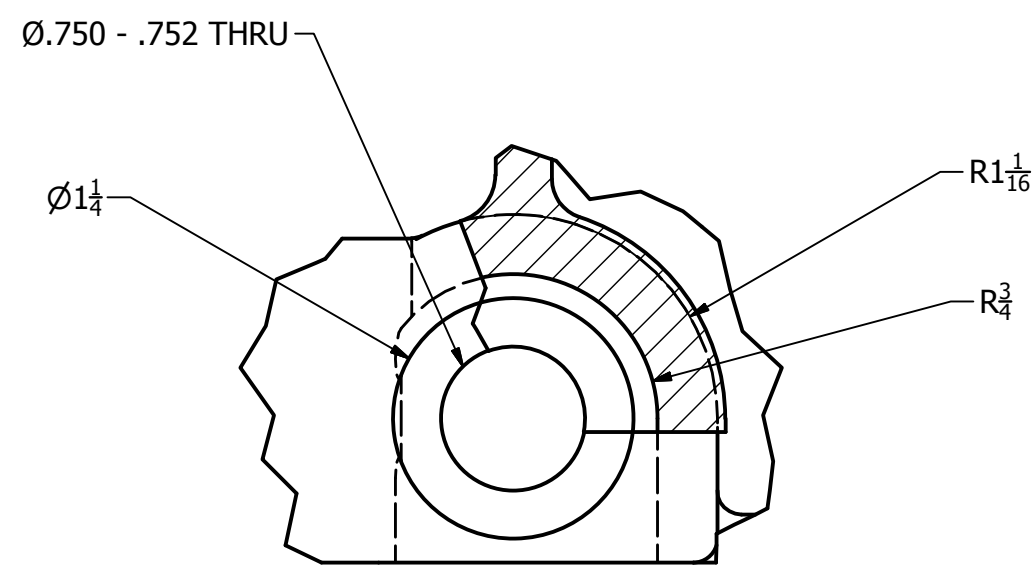
PARTS LIST			
ITEM	QTY	PART NUMBER	MATERIAL
1	1	DRILL PRESS BRACKET	IRON



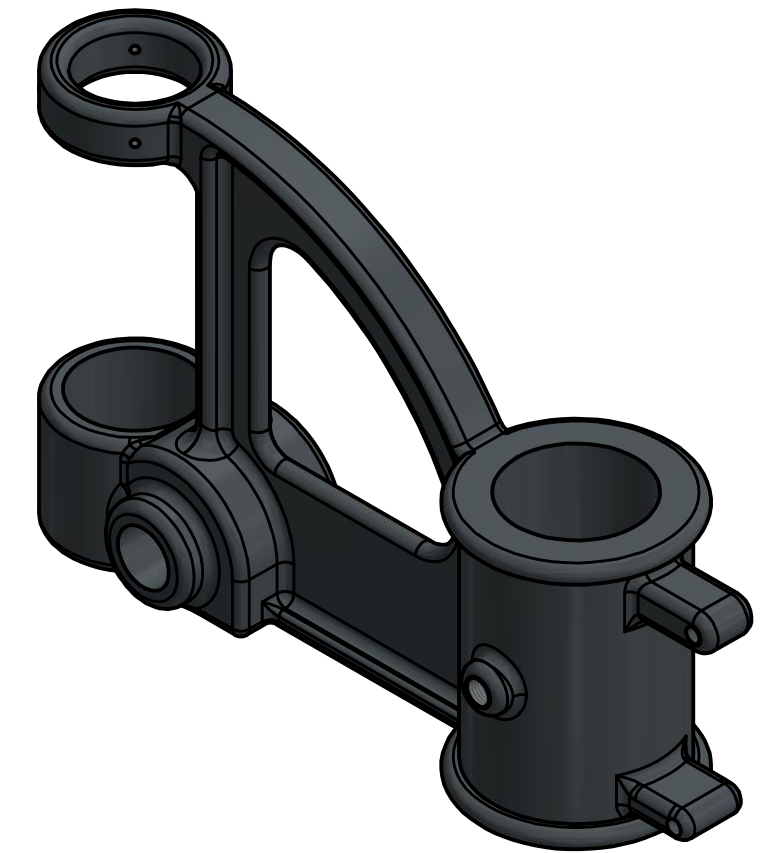
TOP VIEW
SCALE 1 / 2



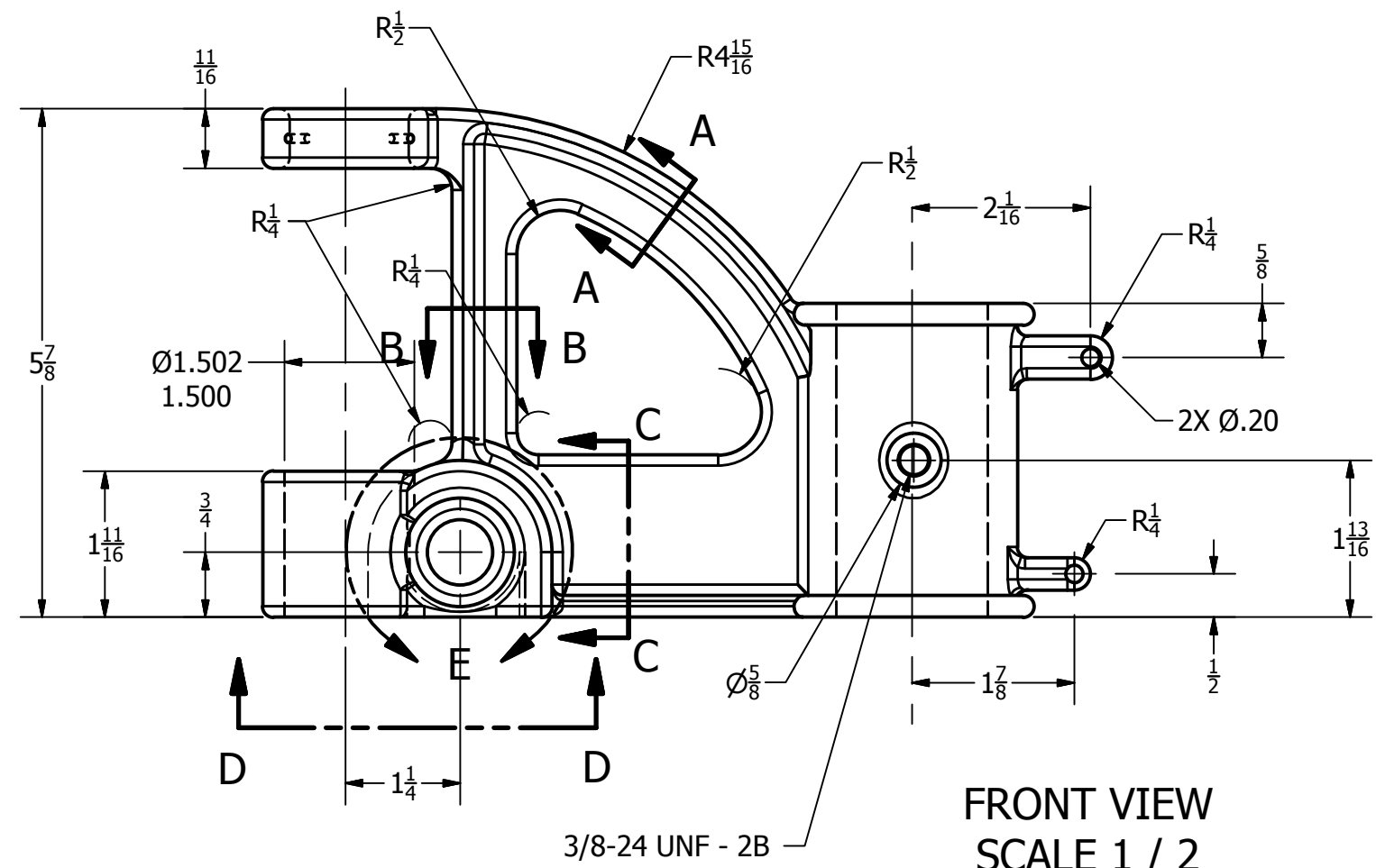
SECTION B-B
SCALE 1 / 2



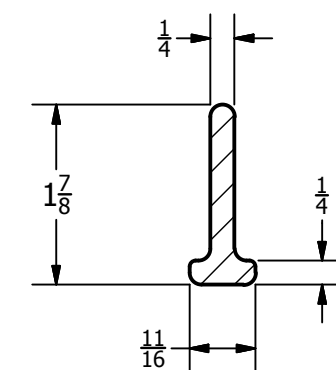
DETAIL E
SCALE 1 : 1



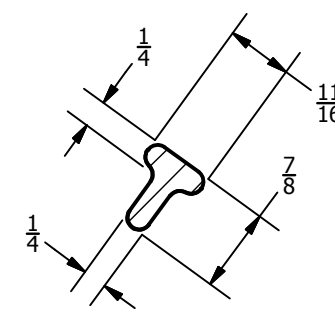
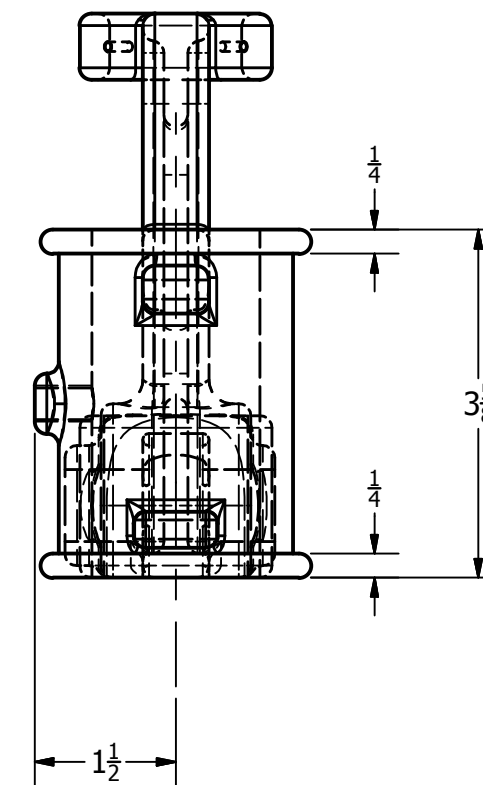
SCALE 1 / 2



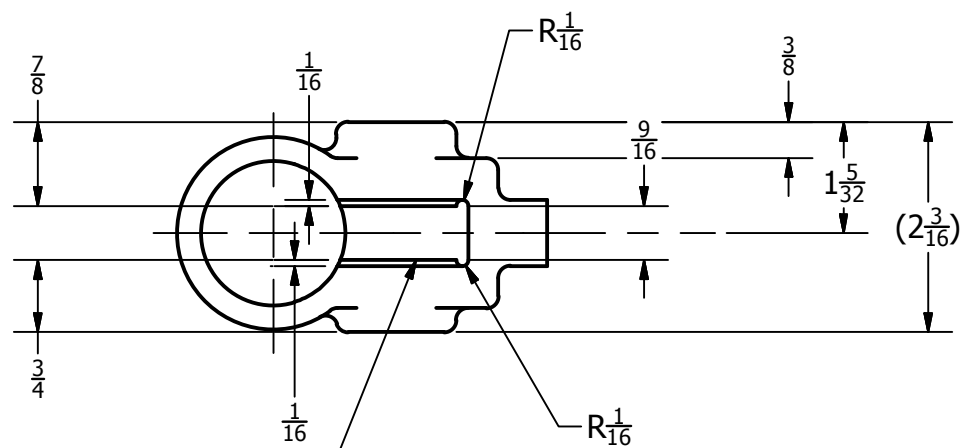
FRONT VIEW
SCALE 1 / 2



SECTION C-C
SCALE 1 / 2



SECTION A-A
SCALE 1 / 2



BOSSES $\text{Ø}1\frac{1}{4}$

VIEW D-D
SCALE 1 / 2

ALL FILLETS AND ROUNDS $1/8R$ UNLESS OTHERWISE STATED

LEGEND:

- Ø DIAMETER
- R RADIUS
- $^\circ$ DEGREES

<p>DDGT DIGITAL DESIGN GRAPHICS TECHNOLOGY WWW.DDGT.NET</p>	<p>JOHN J. BOLLA Digital Designer designsjohnj@gmail.com ddgt.net/StudentPages/jbolla</p> <p>Specializing in CAD Design and Visualization</p>	<p>TOLERANCES UNLESS SPECIFIED DECIMAL INCHES X = $\pm .020$ XX = $\pm .010$ XXX = $\pm .005$ FRACTIONAL $\pm 1/64"$ ANGLES ± 1 DEGREE SURFACES $32\checkmark$</p>	<p>COURSE: DDGT 121</p>
			<p>INVENTOR DRAWING NAME: DRILL PRESS BRACKET</p>
			<p>FIG #: 14-35</p>
			<p>DRAFTER: J. BOLLA</p>
			<p>DATE: 3/16/2016</p>
			<p>SCALE: AS NOTED</p>
			<p>PAGE #: 1 OF 1</p>