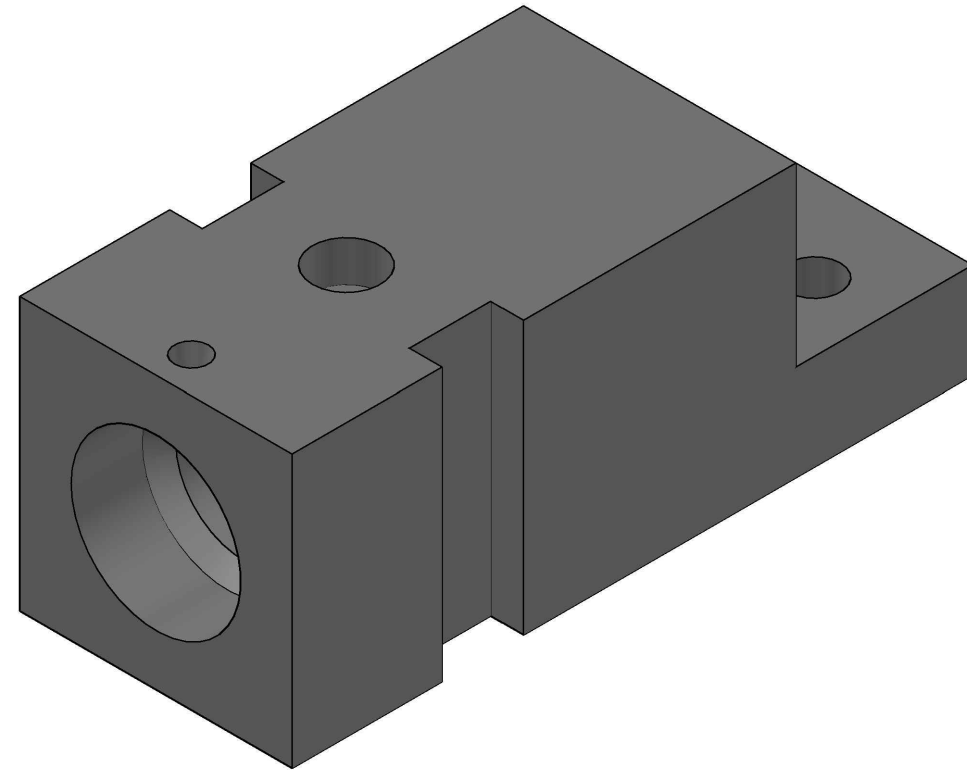
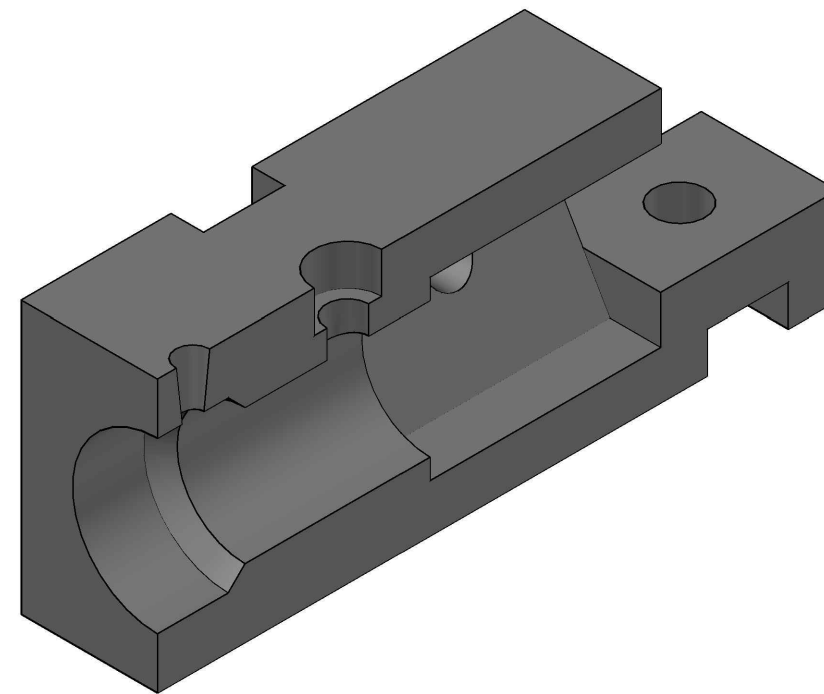


PARTS LIST

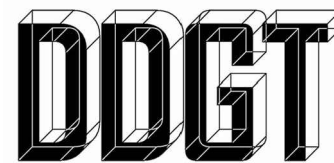
ITEM #	QTY	PART NAME	MATERIAL
1	1	CASING	SAE 1012



CASING WHOLE VIEW



CASING HALF SECTION VIEW



DIGITAL DESIGN
GRAPHICS
TECHNOLOGY

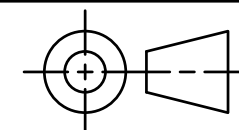
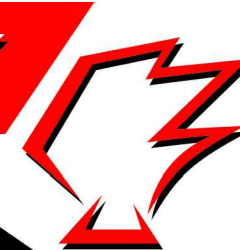
WWW.DDGT.NET

JOHN J. BOLLA

Digital Designer

designsjohnj@gmail.com
ddgt.net/StudentPages/jbolla

Specializing in CAD Design
and Visualization



TOLERANCES UNLESS SPECIFIED:

DECIMAL INCHES:
X = ±.020
XX = ±.010
XXX = ±.005
FRACTIONAL ±1/64"
ANGLES ±1 DEGREE

SURFACES 32 ✓

COURSE: DDGT 120

AUTOCAD DRAWING NAME:
CASING

FIG #: 9-39

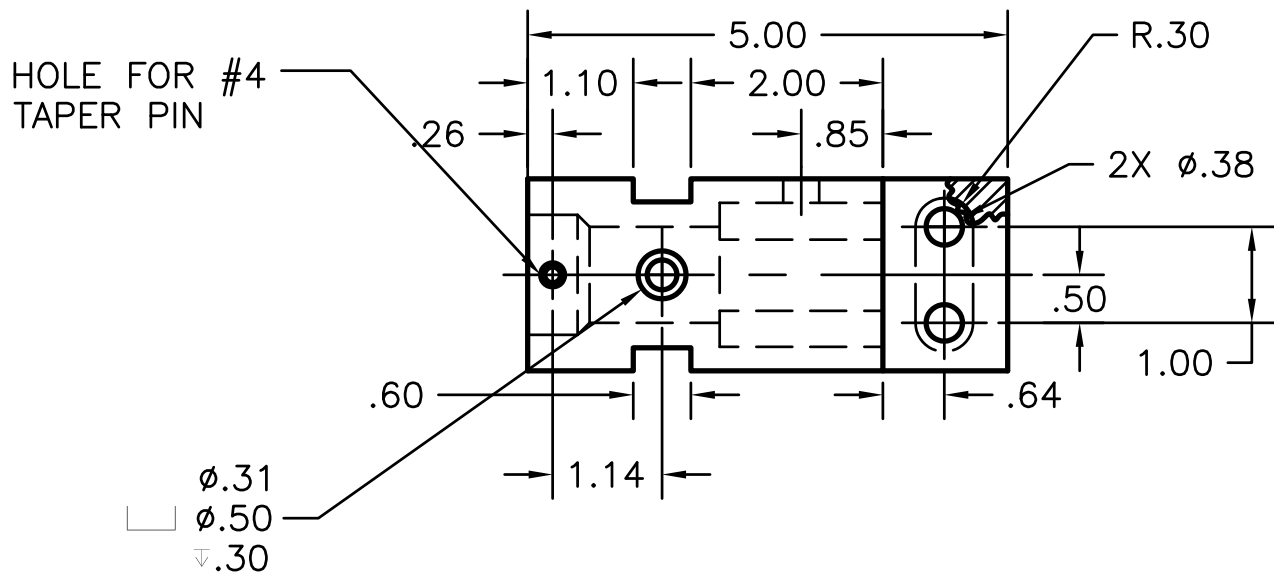
DRAFTER: J. BOLLA

DATE: 10-29-2015

SCALE: 1:1

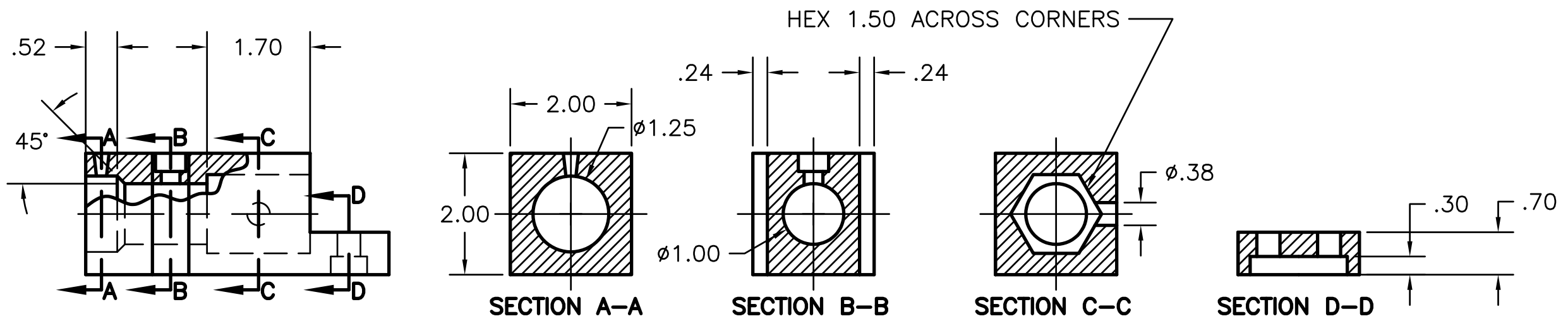
PAGE #: 1 OF 2

PARTS LIST		
ITEM #	QTY	PART NAME
1	1	CASING



LEGEND:

- DEGREES
- ϕ DIAMETER
- R RADIUS
- \square COUNTERBORE
- ∇ DEPTH CALL OUT



 <p>DIGITAL DESIGN GRAPHICS TECHNOLOGY</p> <p>WWW.DDGT.NET</p>	<p>JOHN J. BOLLA Digital Designer</p> <p>designsjohnj@gmail.com ddgt.net/StudentPages/jbolla</p> <p>Specializing in CAD Design and Visualization</p> 	 <p>TOLERANCES UNLESS SPECIFIED: DECIMAL INCHES: X = \pm.020 XX = \pm.010 XXX = \pm.005 FRACTIONAL \pm1/64" ANGLES \pm1 DEGREE SURFACES 32\sqrt</p>	COURSE: DDGT 120
			AUTOCAD DRAWING NAME: CASING
			FIG #: 9-39
			DRAFTER: J. BOLLA
			DATE: 10-29-2015
			SCALE: 1:2
			PAGE #: 2 OF 2