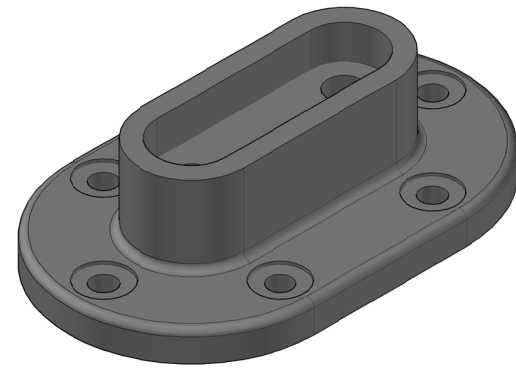


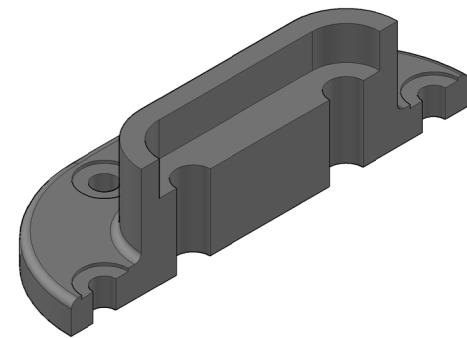
PARTS LIST

ITEM #	QTY	PART NAME	MATERIAL
1	1	SHAFT BASE	MALLEABLE IRON

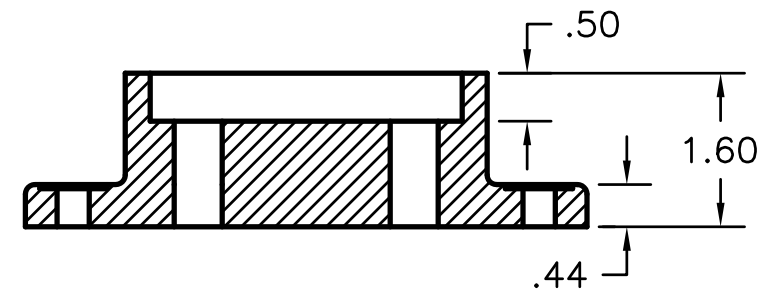
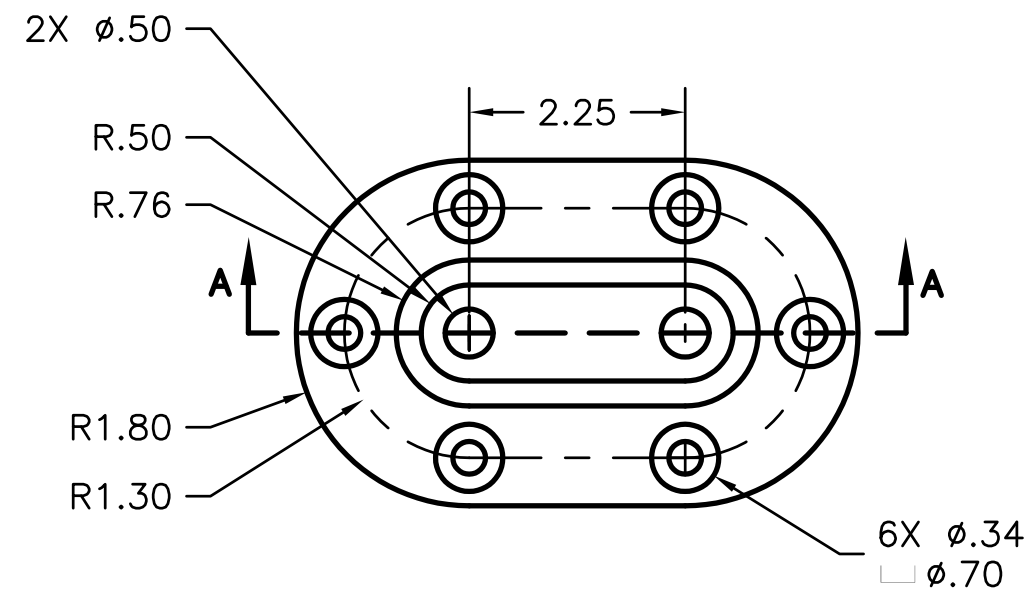
ROUNDS AND FILLETS R.10



SHAFT BASE WHOLE VIEW



SHAFT BASE HALF SECTION VIEW



SECTION A-A

LEGEND:

- DEGREES
- ø DIAMETER
- R RADIUS
- SPOTFACE



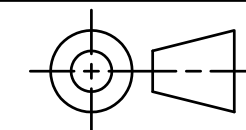
DIGITAL DESIGN
GRAPHICS
TECHNOLOGY

WWW.DDGT.NET

JOHN J. BOLLA
Digital Designer

designsjohnj@gmail.com
ddgt.net/StudentPages/jbolla

Specializing in CAD Design
and Visualization



TOLERANCES UNLESS SPECIFIED:

DECIMAL INCHES:
X = ±.020
XX = ±.010
XXX = ±.005
FRACTIONAL ±1/64"
ANGLES ±1 DEGREE

SURFACES 32✓

COURSE: DDGT 120

AUTOCAD DRAWING NAME:

SHAFT BASE

FIG #: 9-35

DRAFTER: J. BOLLA

DATE: 10-27-2015

SCALE: 1:2

PAGE #: 1 OF 1