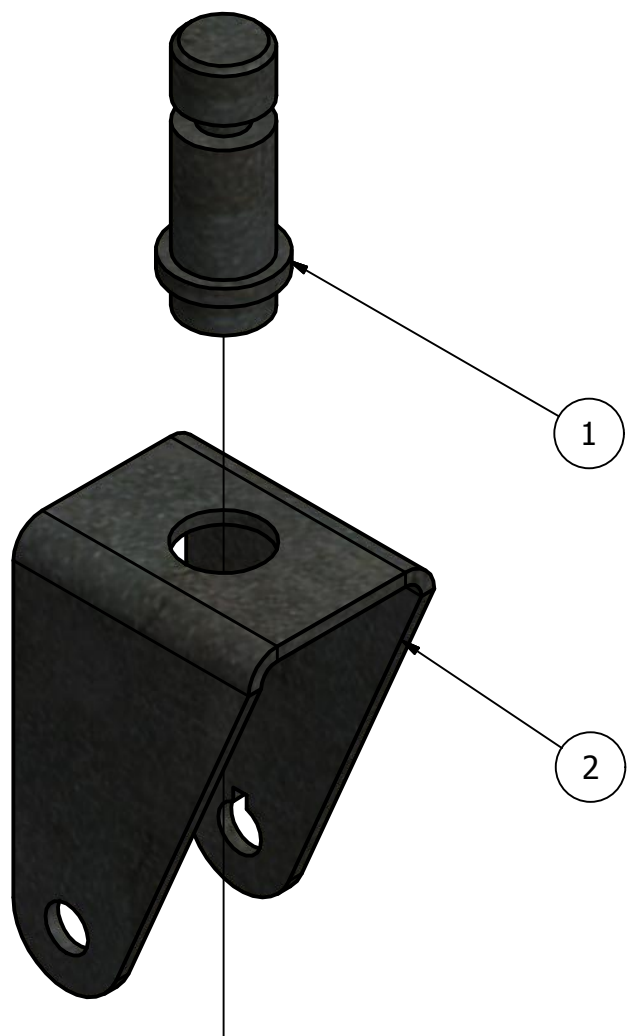
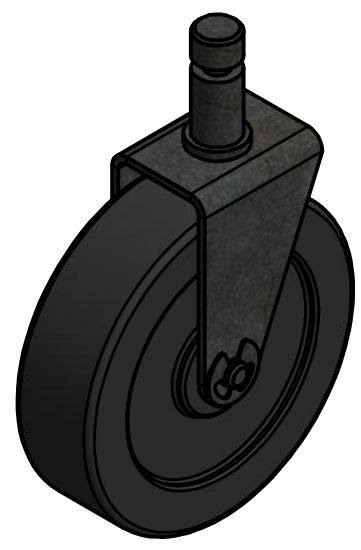


PARTS LIST				
ITEM	QTY	PART NUMBER	DESCRIPTION	MATERIAL
1	1	POST		SAE 1112
2	1	BRACKET	13 GA (2.38)	USS STL
3	1	SHAFT		SAE 1112
4	1	WHEEL		HARD RUBBER
5	1	BUSHING		BRASS
6	1	RETAINING RING	EXT SERIES 5133	STEEL

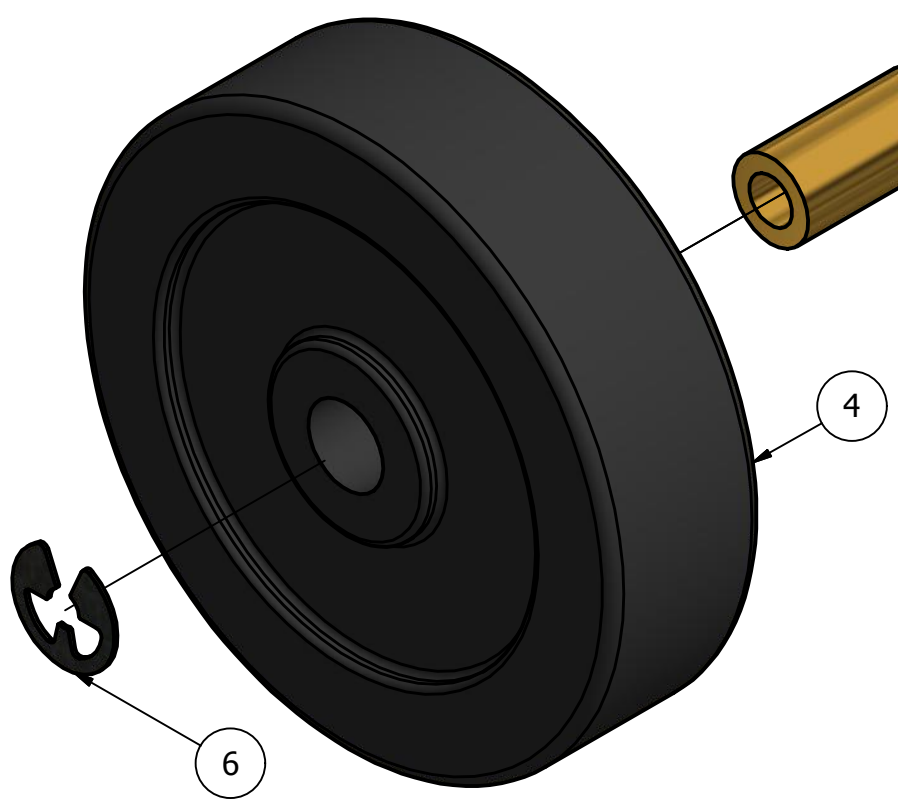


EXPLODED ASSEMBLY
SCALE 1 : 1



CASTER ASSEMBLY
SCALE 1 / 2

METRIC

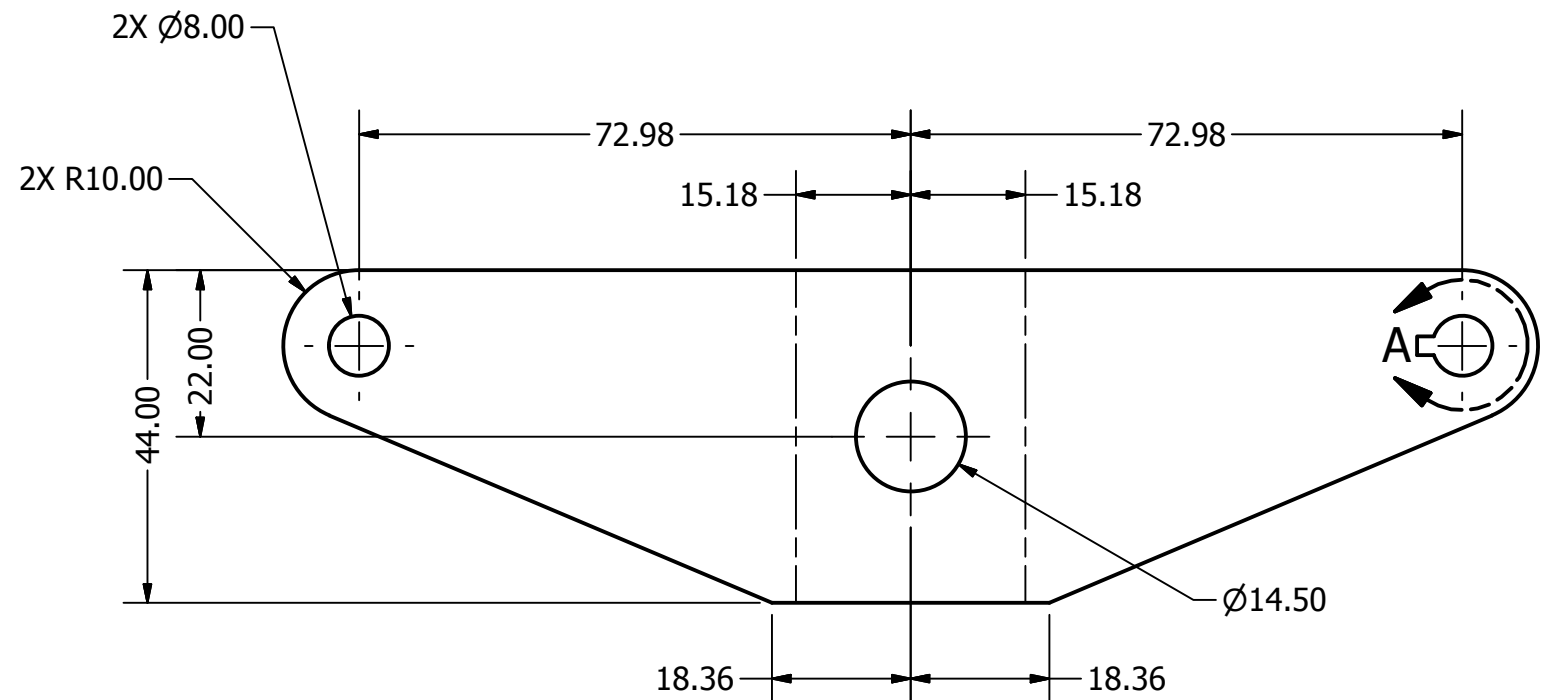
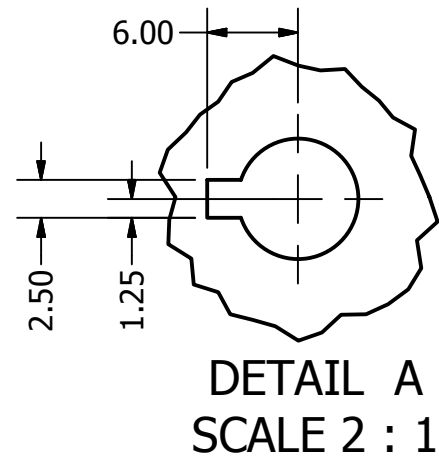
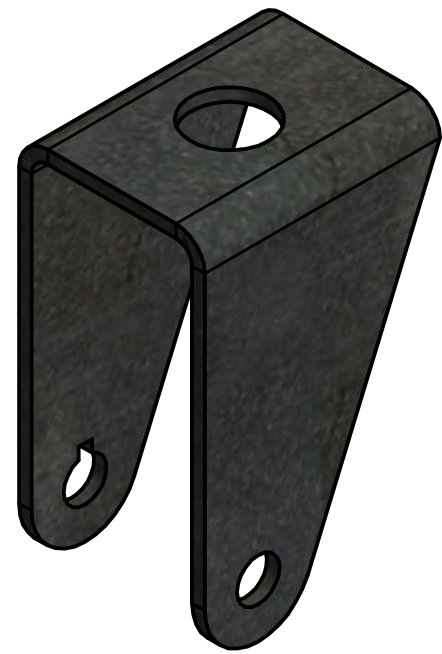


DDGT
DIGITAL DESIGN
GRAPHICS
TECHNOLOGY
WWW.DDGT.NET

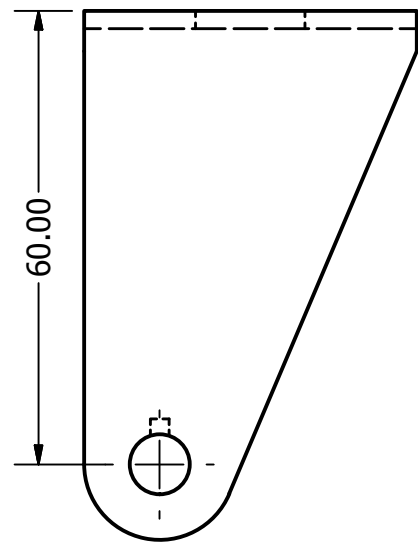
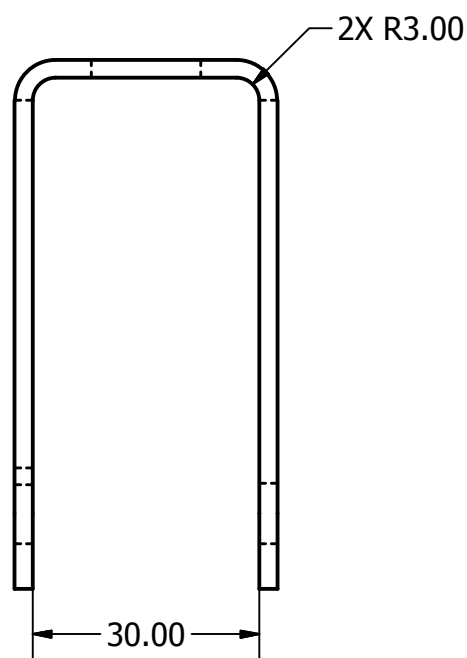
JOHN J. BOLLA
Digital Designer
designsjohnj@gmail.com
ddgt.net/StudentPages/jbolla
Specializing in CAD Design
and Visualization

TOLERANCES UNLESS SPECIFIED
MILLIMETERS:
WHOLE NUMBER = ± .5
X = ± .25
XX = ± .12
ANGLES ± 1 DEGREE
SURFACES 32 ✓

COURSE:	DDGT 120
INVENTOR DRAWING NAME:	CASTER
FIG #:	14-90
DRAFTER:	J. BOLLA
DATE:	11/17/2015
SCALE:	AS NOTED
PAGE #:	1 OF 4



PARTS LIST			
ITEM	QTY	PART NUMBER	DESCRIPTION
2	1	BRACKET	13 GA (2.38)
6	1	RETAINING RING	EXT SERIES 5133



LEGEND:

- Ø DIAMETER
- R RADIUS
- ° DEGREES



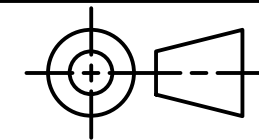
DIGITAL DESIGN
GRAPHICS
TECHNOLOGY

WWW.DDGT.NET

JOHN J. BOLLA
Digital Designer

designsjohnj@gmail.com
ddgt.net/StudentPages/jbolla

Specializing in CAD Design
and Visualization



TOLERANCES UNLESS SPECIFIED
MILLIMETERS:
WHOLE NUMBER = ± .5
X = ± .25
XX = ± .12

ANGLES ± 1 DEGREE

SURFACES 32 ✓

COURSE: DDGT 120

INVENTOR DRAWING NAME:

CASTER

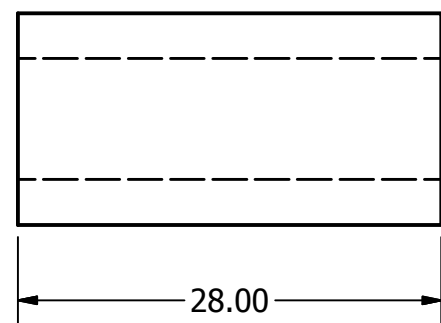
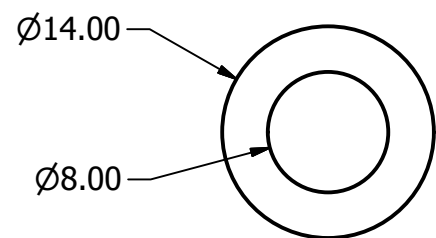
FIG #: 14-90

DRAFTER: J. BOLLA

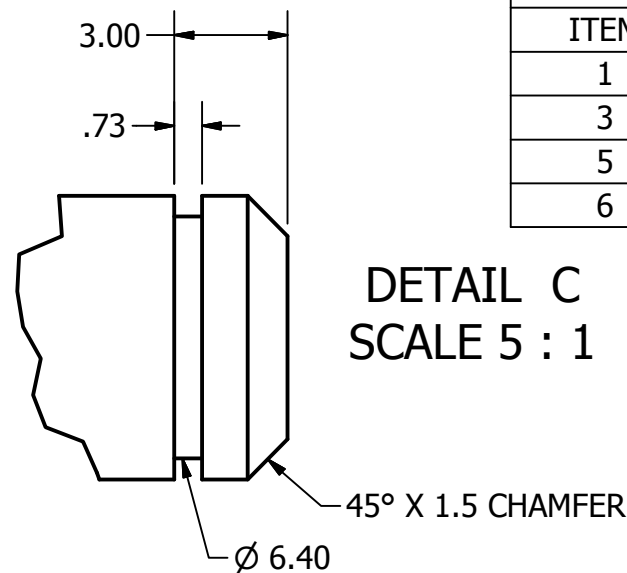
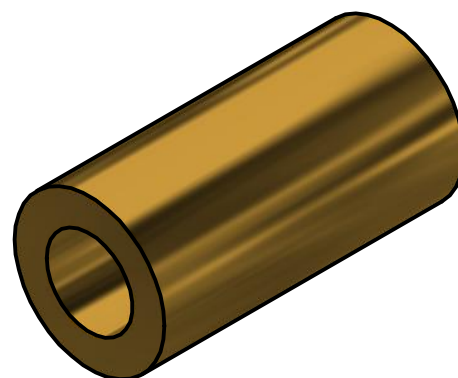
DATE: 11/17/2015

SCALE: AS NOTED

PAGE #: 2 OF 4

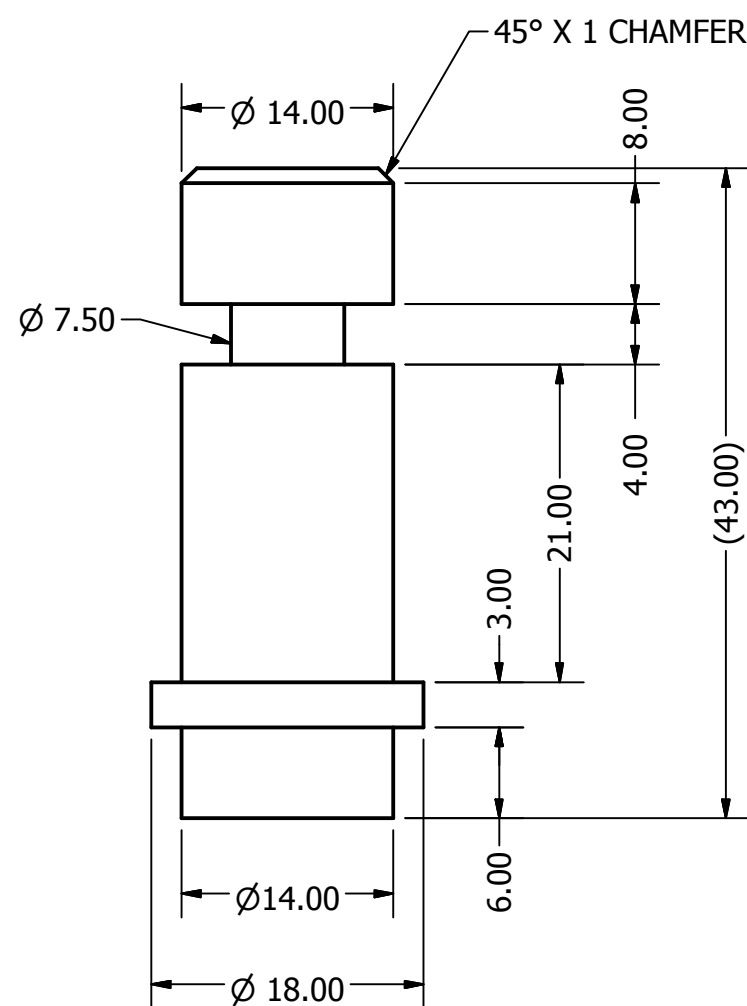


BUSHING
SCALE 2 : 1

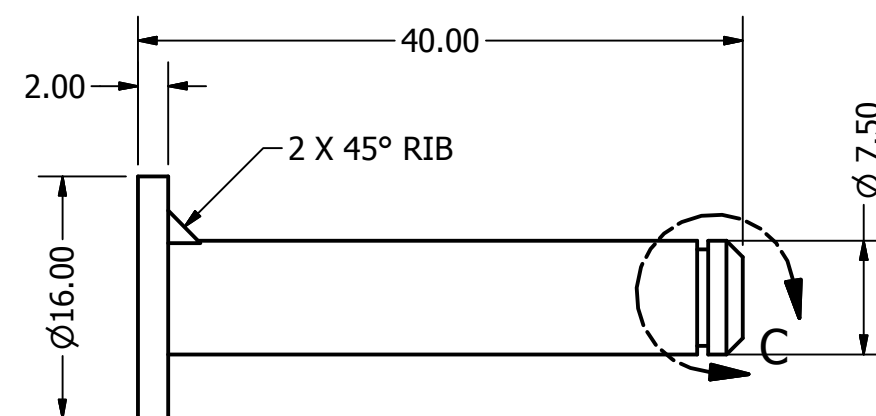


DETAIL C
SCALE 5 : 1

PARTS LIST		
ITEM	QTY	PART NUMBER
1	1	POST
3	1	SHAFT
5	1	BUSHING
6	1	RETAINING RING



POST
SCALE 2 : 1



SHAFT
SCALE 2 : 1

LEGEND:

- ∅ DIAMETER
- R RADIUS
- ° DEGREES



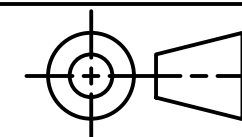
DIGITAL DESIGN
GRAPHICS
TECHNOLOGY

WWW.DDGT.NET

JOHN J. BOLLA
Digital Designer

designsjohnj@gmail.com
ddgt.net/StudentPages/jbolla

Specializing in CAD Design
and Visualization



TOLERANCES UNLESS SPECIFIED
MILLIMETERS:
WHOLE NUMBER = ± .5
X = ± .25
XX = ± .12

ANGLES ± 1 DEGREE

SURFACES 32 ✓

COURSE: DDGT 120

INVENTOR DRAWING NAME:

CASTER

FIG #: 14-90

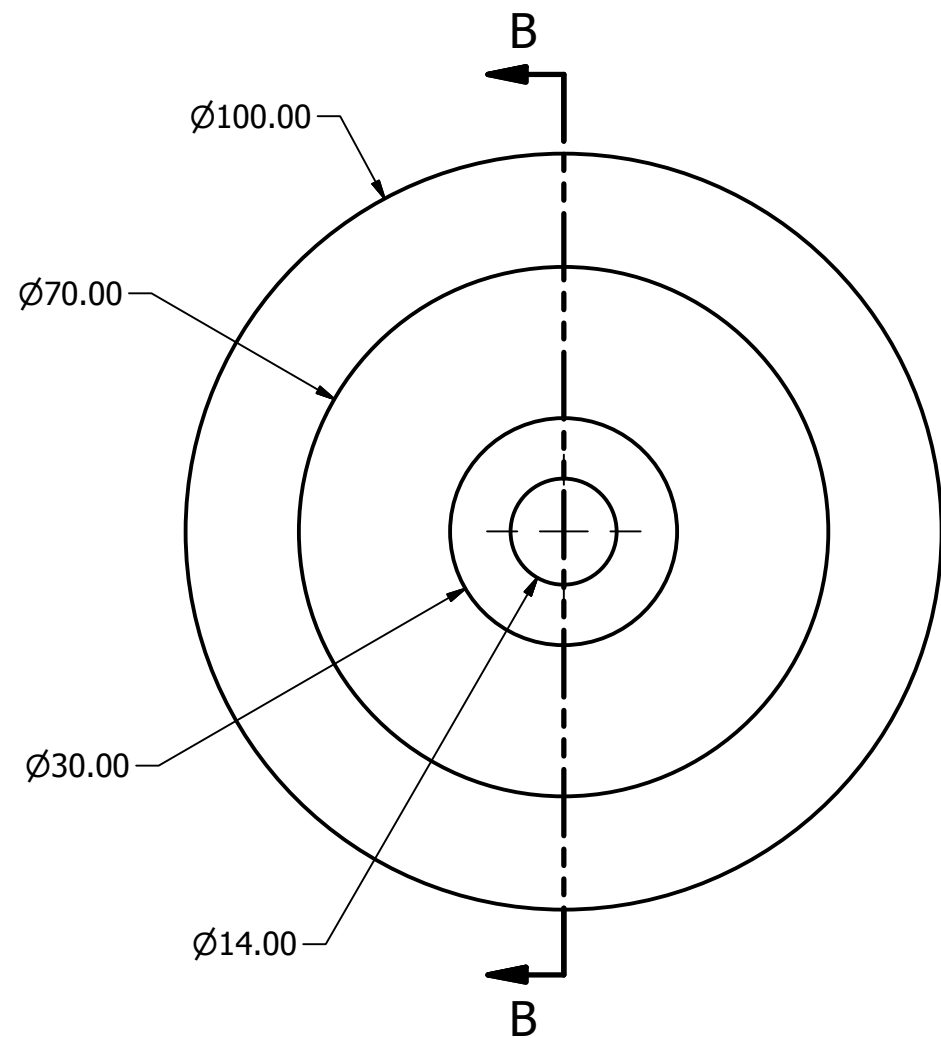
DRAFTER: J. BOLLA

DATE: 11/17/2015

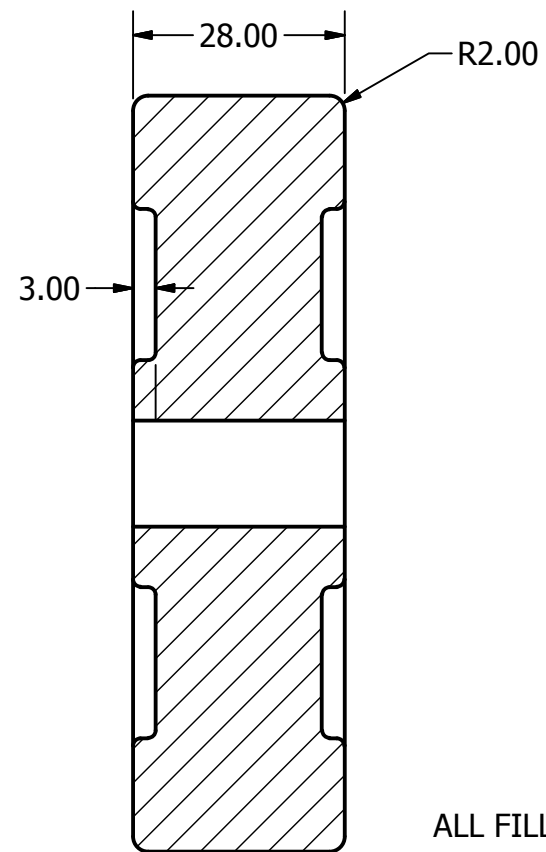
SCALE: AS NOTED

PAGE #: 3 OF 4

PARTS LIST		
ITEM	QTY	PART NUMBER
4	1	WHEEL
6	1	RETAINING RING



WHEEL
SCALE 1 : 1



SECTION B-B
SCALE 1 : 1

ALL FILLETS R1 FOR WHEEL UNLESS OTHER WISE STATED



LEGEND:

- ∅ DIAMETER
- R RADIUS
- ° DEGREES



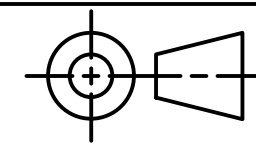
DIGITAL DESIGN
GRAPHICS
TECHNOLOGY

WWW.DDGT.NET

JOHN J. BOLLA
Digital Designer

designsjohnj@gmail.com
ddgt.net/StudentPages/jbolla

Specializing in CAD Design
and Visualization



TOLERANCES UNLESS SPECIFIED
MILLIMETERS:
WHOLE NUMBER = ± .5
X = ± .25
XX = ± .12

ANGLES ± 1 DEGREE

SURFACES 32 ✓

COURSE: DDGT 120

INVENTOR DRAWING NAME:

CASTER

FIG #: 14-90

DRAFTER: J. BOLLA

DATE: 11/17/2015

SCALE: AS NOTED

PAGE #: 4 OF 4