

PARTS LIST			
ITEM	QTY	PART NUMBER	MATERIAL
1	1	SPACER	Gray Iron

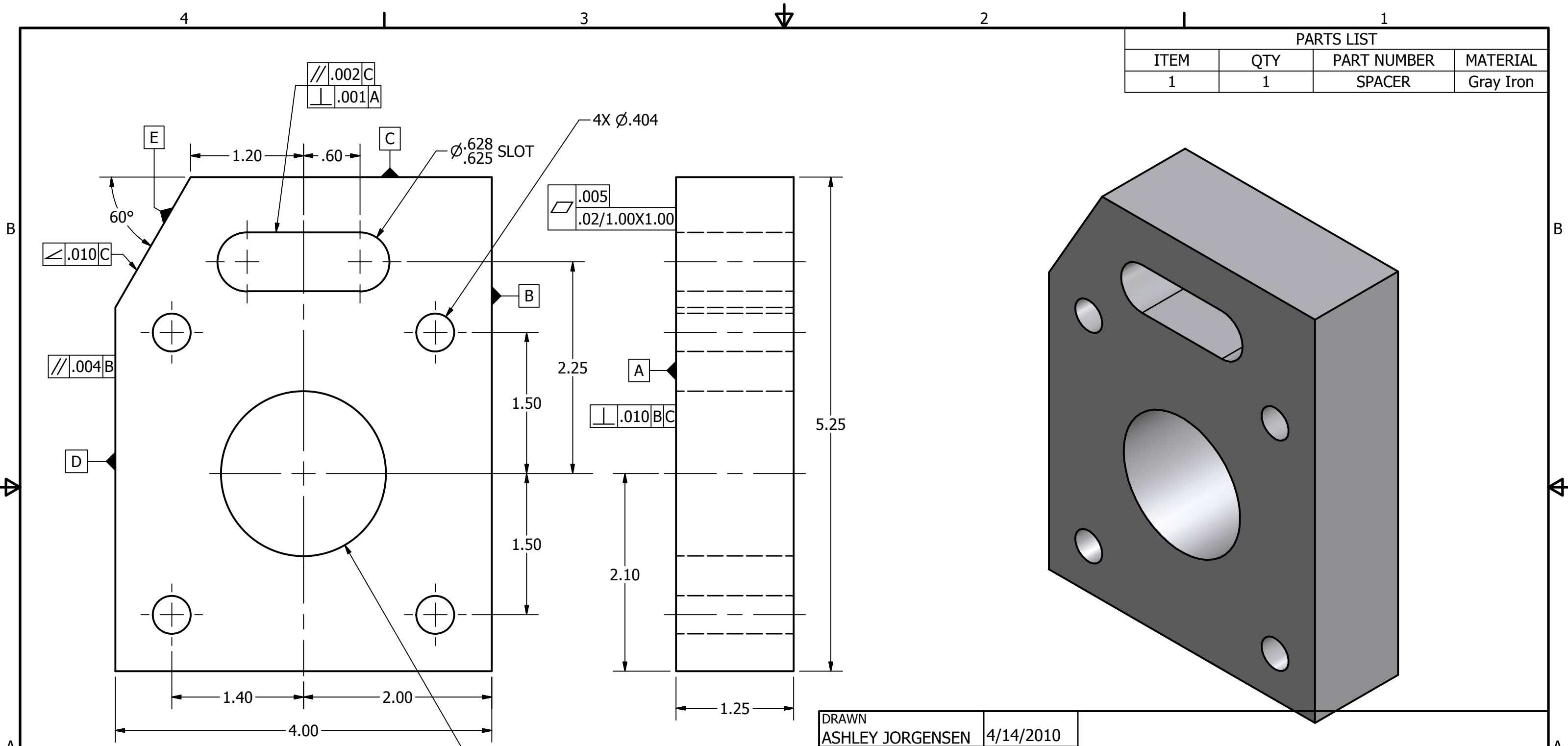


FIG 16-221 SPACER
SCALE 1 : 1

DRAWN ASHLEY JORGENSEN	4/14/2010	TITLE	
CHECKED		FIG. 16-221 SPACER	
QA		SIZE B	DWG NO
MFG		FIG. 16-221 SPACER	
APPROVED		SCALE	REV
MATERIAL GRAY IRON		SHEET 1 OF 1	